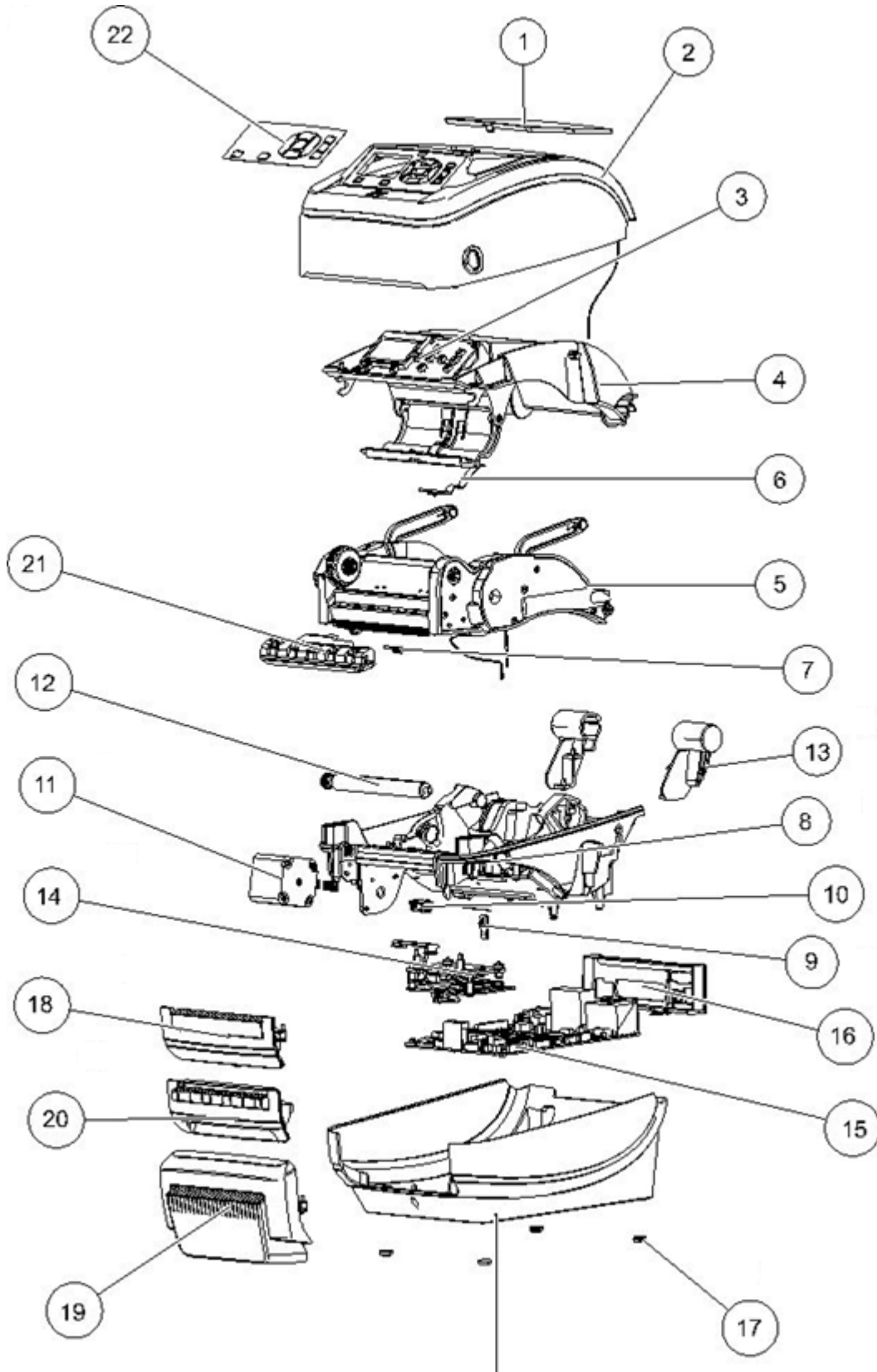


ZD50042 Series



Note: the printer base is only available through the Zebra Repair Depot.

Spare Parts List Desktop Printers

ZD50042 Series

Item #	Description	Part Number
1	Media Window	P1061022-004
2	Cover Assembly (includes Media Window)	P1061022-003
3	Control Panel	P1061022-029
4	Inner Lid	P1061022-014
5	Ribbon Carriage, 203 DPI	P1061022-001
6	Upper Gap Sensor, Movable	P1027135-004
7	Ribbon Out Sensor	P1027135-014
8	Print Mech., Movable Sensor, 203 DPI	P1061022-002
9	Head Up Sensor	P1061022-007
10	Gap/Blackline Sensor, Moveable	P1061022-006
11	Motor Assy., 203dpi	P1027135-043
12	Platen, Std Platen Bearings	P1027135-040 105934-099
13	Cover Hinge, Right and Left	P1061022-005
14	RFID Enclosure Module	P1061022-009
15	MLB, Serial, Parallel, USB, Ethernet, 802.11, Bluetooth, RFID and none-RFID, Region R1 (US/Canada)	P1061022-010
15	MLB, Serial, Parallel, USB, Ethernet, RFID and none-RFID, Region R1 (US/Canada)	P1061022-011
15	MLB, Serial, Parallel, USB, Ethernet, RFID and none-RFID, Region R2 (ROW)	P1061022-012
15	MLB, Serial, Parallel, USB, Ethernet, 802.11, Bluetooth, RFID and none-RFID, Region R2 (ROW)	P1061022-013
16	Rear Bezel, Quad	P1061022-015
17	Rubber Foot (set of 5)	105934-024
18	Front Bezel, Standard	P1061022-016
19	Cutter, 4", Full	P1061022-008
20	Front Bezel, Dispenser	P1061022-017
21	Printhead, 203dpi	105934-038
22	Nameplate ZD500R	P1061022-022
22	Nameplate ZD500	P1069205-001
Not Shown	Frame Patch, ZD500 for none-RFID (set of 5)	P1069205-002
	Hub, Right, (20)	P1061022-018
	Flat Flex Cable, MLB to LCD Interface, 23" (5)	P1061022-023
	Shipping Pack – Packaging for shipping the printer	P1061022-021
	Core Adaptors, 3", Right and Left	P1061022-030
	Button Plate	P1061022-031
	Latch Assembly	P1067988-020
	User CD	P1061022-028
	Power Supply, 75W C13 with US & Euro Cords	P1079903-026
	Power Cord, U.S. 120V IEC320C13 (set of 5)	105950-014
	Power Cord, Euro 220V IEC320C13 (set of 5)	105950-015
	Power Cord, U.K. 240V IEC320C13 (set of 5)	105950-030
	Power Cord, Australia 240V IEC320C13 (set of 5)	105950-029
	Power Cord, China 220V C13 (set of 5)	105950-078
	Power Cord, Japan 125V JAPAN C13 (set of 5)	105950-079
	Power Cord, 220V Argentina C13 (set of 5)	105950-080
	Power Cord, 10A NBR 14136, Brazil (set of 5)	P1033401
	Power Cord, C13, 10A, IEC Israel (set of 5)	P1061022-020
	Ribbon Core, 4" thermal transfer (set of 50)	P1027135-048