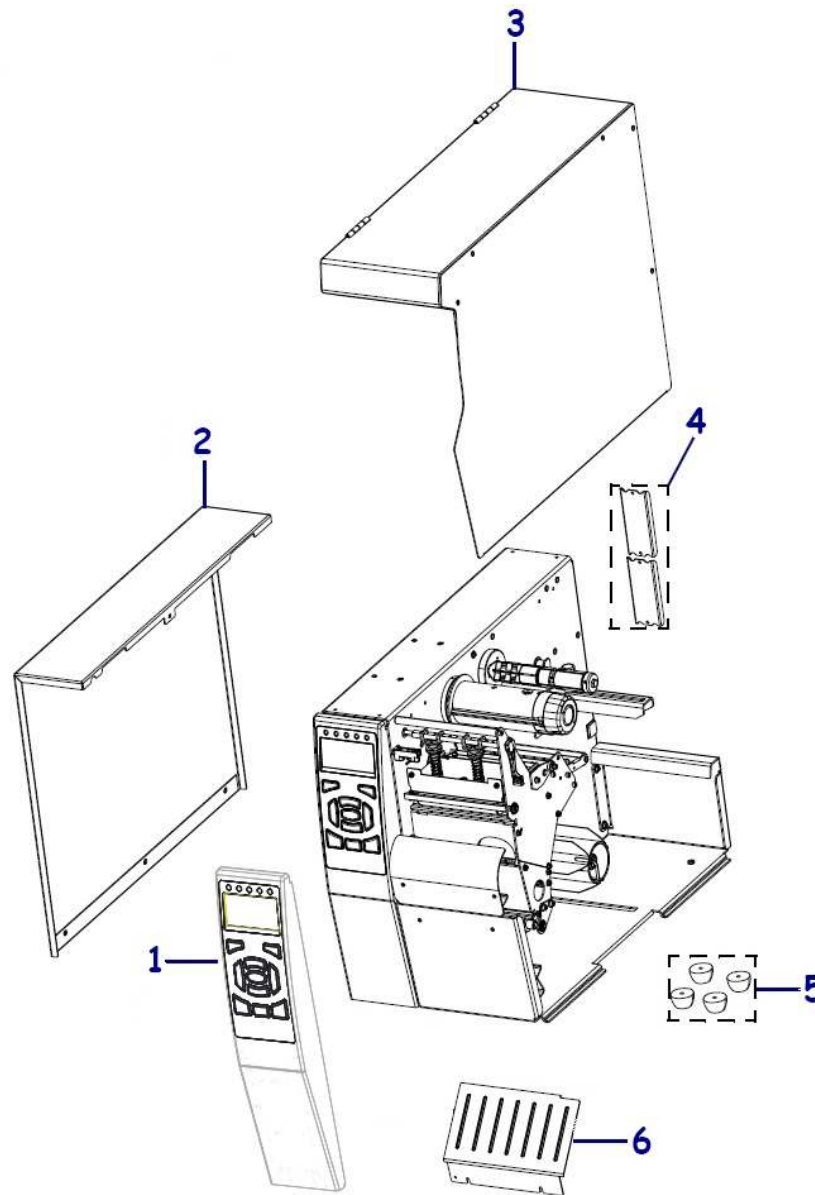
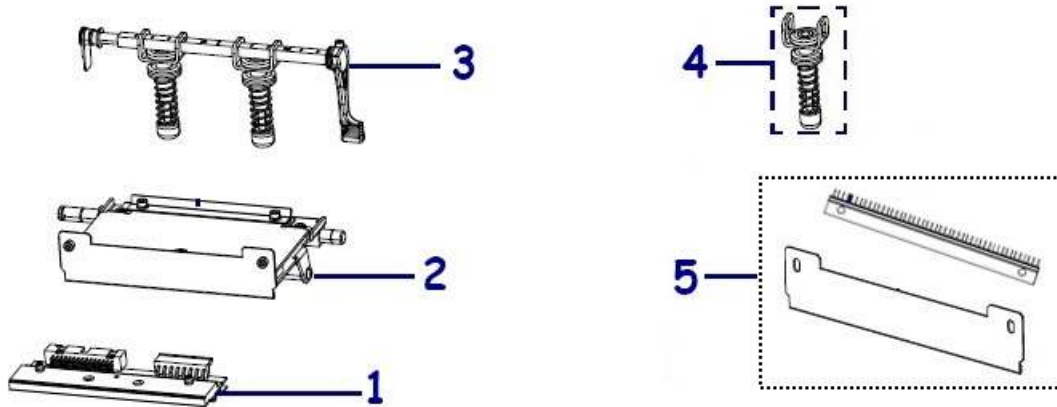


Outer Casing



Item Number	Description	Part Number	Kit Quantity
1	Control Panel ZT510	P1083347-001	1
2	Electronics Cover ZT510	P1083347-002	1
3	Media Cover ZT510	P1083347-003	1
4	Covers for options	P1083320-092	1
5	Feet for printer	P1083320-095	12
6	Tear Trim Panel ZT510	P1083347-004	1

Print Mechanism



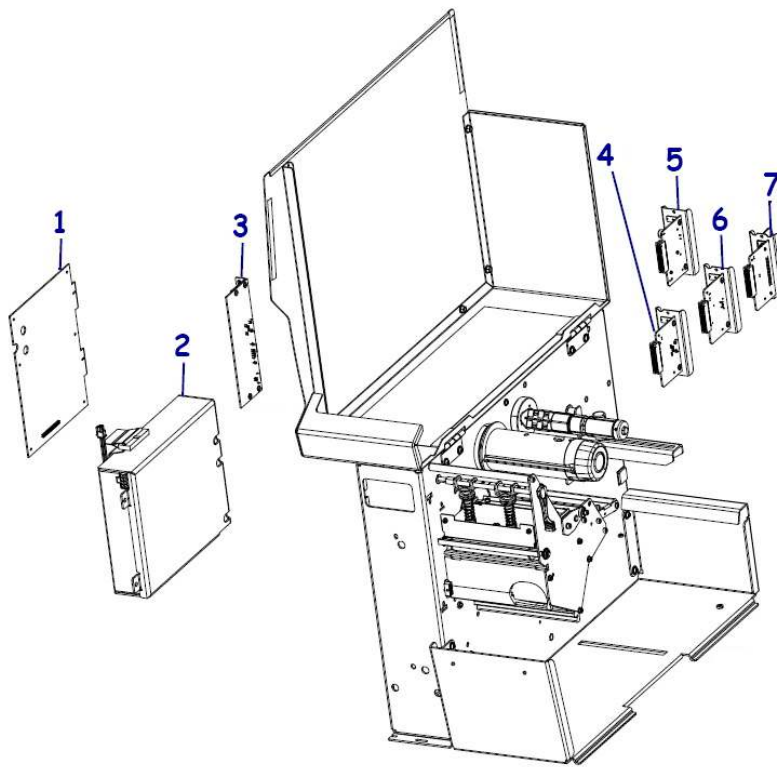
Item Number	Description	Part Number	Kit Quantity
1	Printhead 203 dpi ZT510	P1083347-005	1
1	Printhead 300 dpi ZT510	P1083347-006	1
2	Print Mechanism Hardware ZT510	P1083347-011	1
3	Pivot Bar & Toggle Assemblies ZT510	G41022M	1
4	Toggle Assembly Only ZT510	35099M	1
5	Ribbon Strip Plate and Ribbon Static Brush ZT510	P1006095	1
	Cables for Printhead (Power, Data, Ground) ZT510	P1083347-028	1

Platen Roller



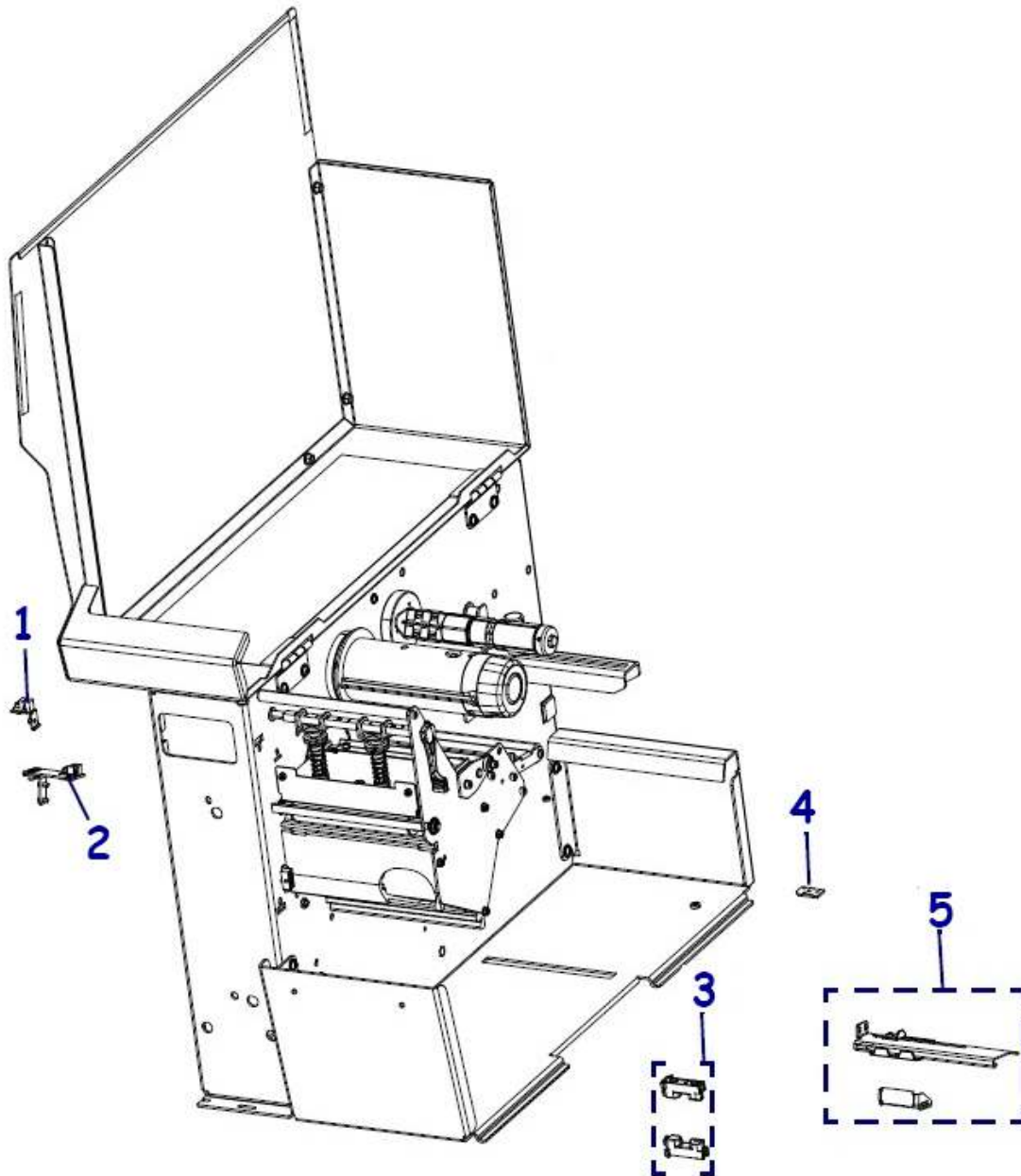
Item Number	Description	Part Number	Kit Quantity
1	Platen Roller ZT510	P1083347-012	1

Electronics



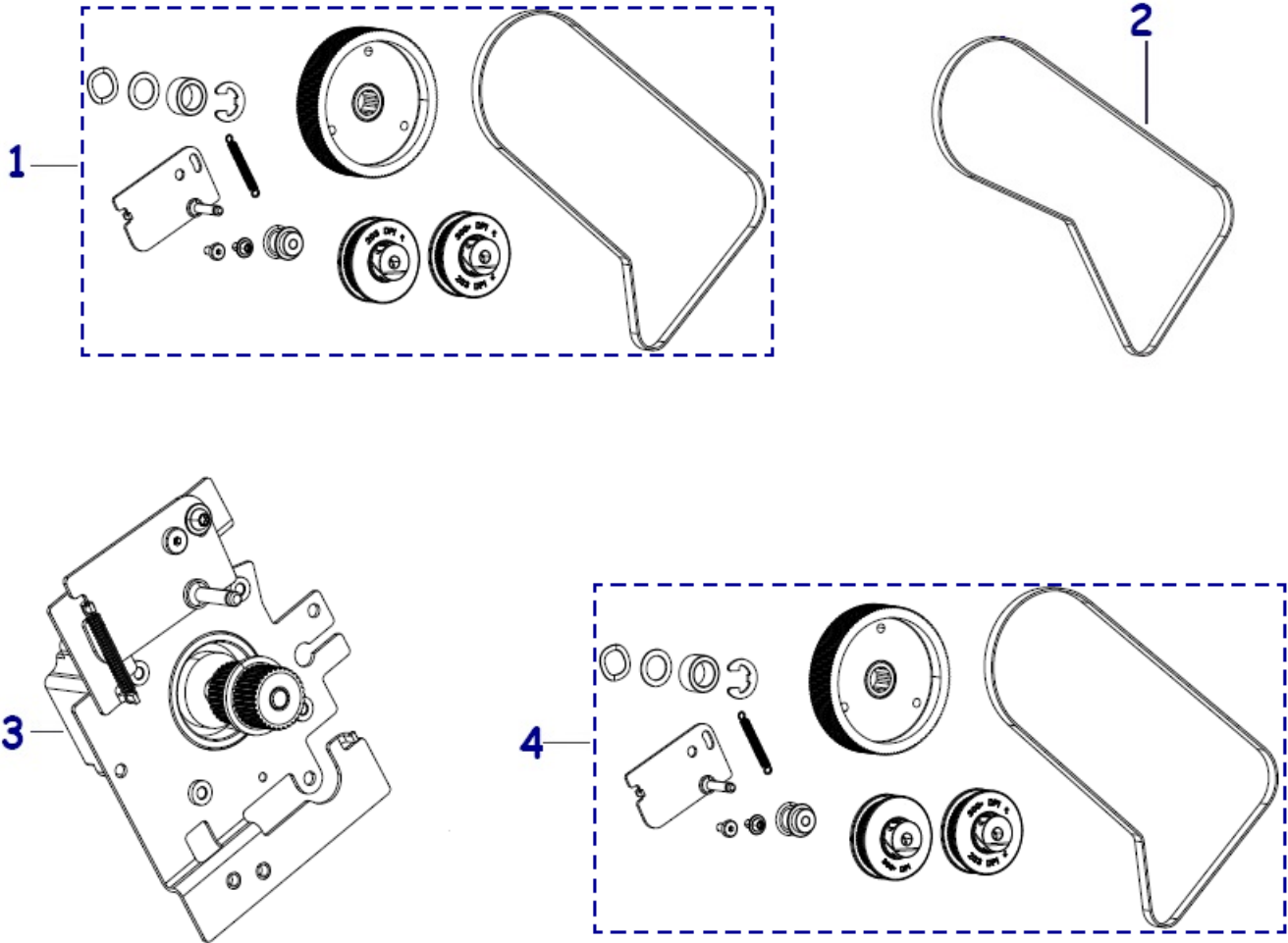
Item Number	Description	Part Number	Kit Quantity
1	Main Logic Board ZT510	P1083347-013	1
2	Power Supply ZT510, ZT600 Series	P1083320-043	1
3	Connectivity PCBA ZT510, ZT600 Series	P1083320-036	1
4	Internal Print Server IPv4 (Ethernet) ZT510	P1083320-039	1
5	Wireless Card USA and Canada ZT510	P1083320-037A	1
5	Wireless Card Japan ZT510	P1083320-037B	1
5	Wireless Card All Countries except USA, Canada and Japan ZT510, ZT600 Series	P1083320-037C	1
	Replacement Wireless Antenna	P1037974-053	1
	Magnetic Mount for Wi-Fi Antenna (antenna not included)	39518M	1
6	USB Host Card ZT510, ZT600 Series	P1083320-094	1
7	Parallel Port Card ZT510	P1083320-040	1
	External PrintServer IPv4 ZT510	P1031031	1
	External PrintServer IPv6 ZT510	P1000219	1
	Electronics Cables (various power and data cables) ZT510	P1083347-014	1
	USA Power Cord	46693	1
	Europe Power Cord	46629	1
	UK Power Cord	46637	1
	Japan Power Cord	37609	1
	China Power Cord	47612	1

Sensors



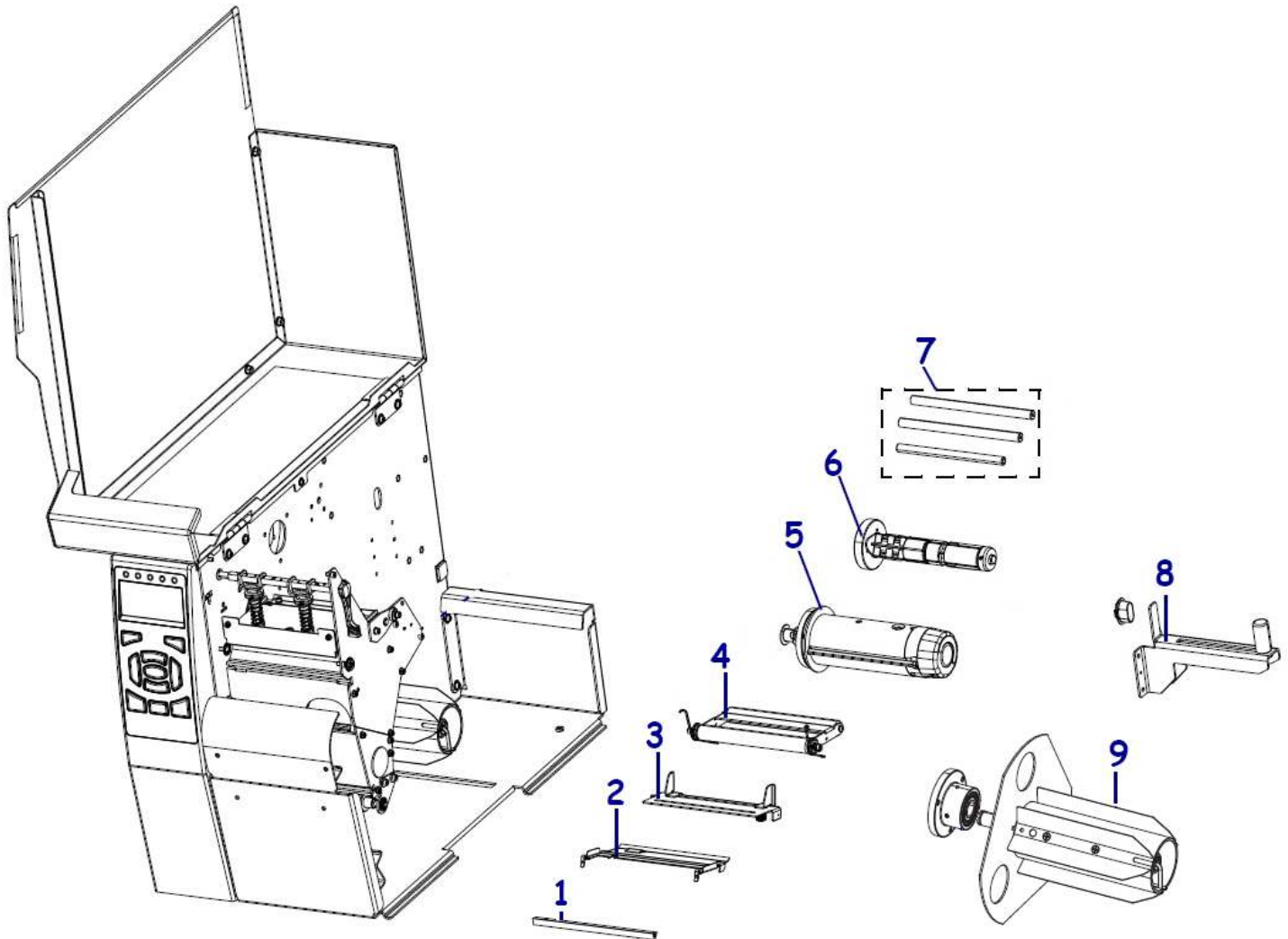
Item Number	Description	Part Number	Kit Quantity
1	Printhead Open Sensor (includes sensor flag) ZT510	P1083320-053	1
	Flag for the Printhead Open Sensor ZT510	G46352M	1
2	Reflective (Black Mark) Sensor ZT510	P1083347-031	1
3	Take Label Sensors ZT510	P1083320-052	1
4	Ribbon Out Sensor ZT510	P1083347-015	1
5	Media Sensor ZT510	P1083347-030	1

Drive System



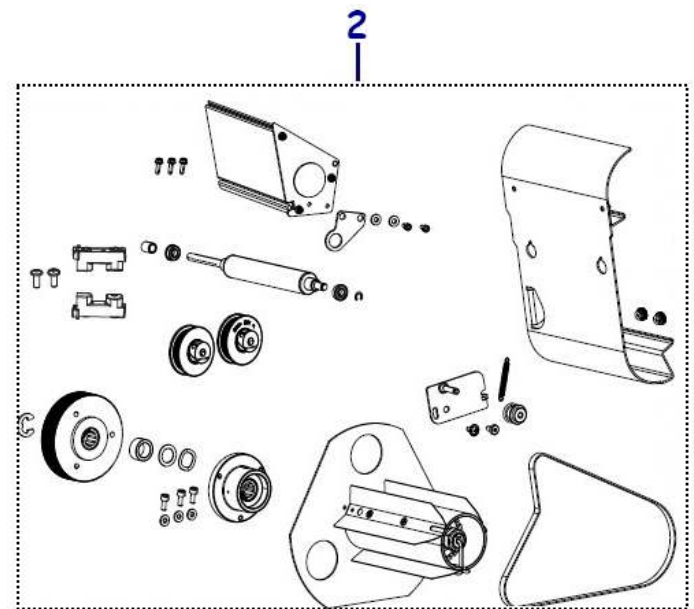
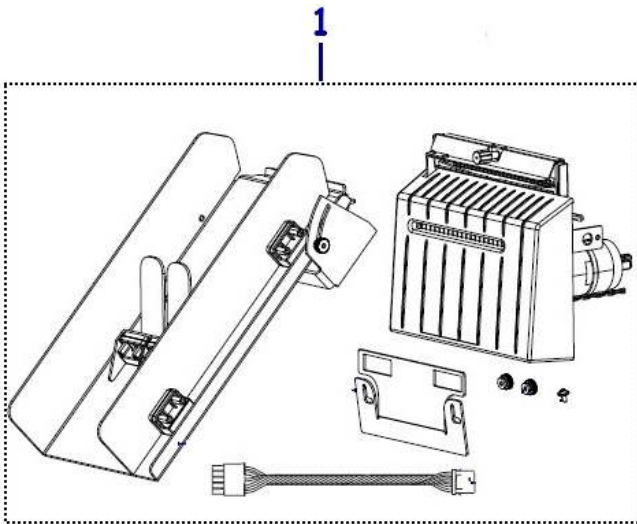
Item Number	Description	Part Number	Kit Quantity
1	Main Drive System ZT510	P1083347-016	1
2	Drive Belt for the Main Drive System or Rewind Drive System. Works for all dpi. ZT510	P1083347-017	1
3	Drive Motor with Pulley Assembly. Works for all dpi. ZT510	P1083347-018	1
4	Rewind Drive System ZT510	P1083347-019	1

Media Path



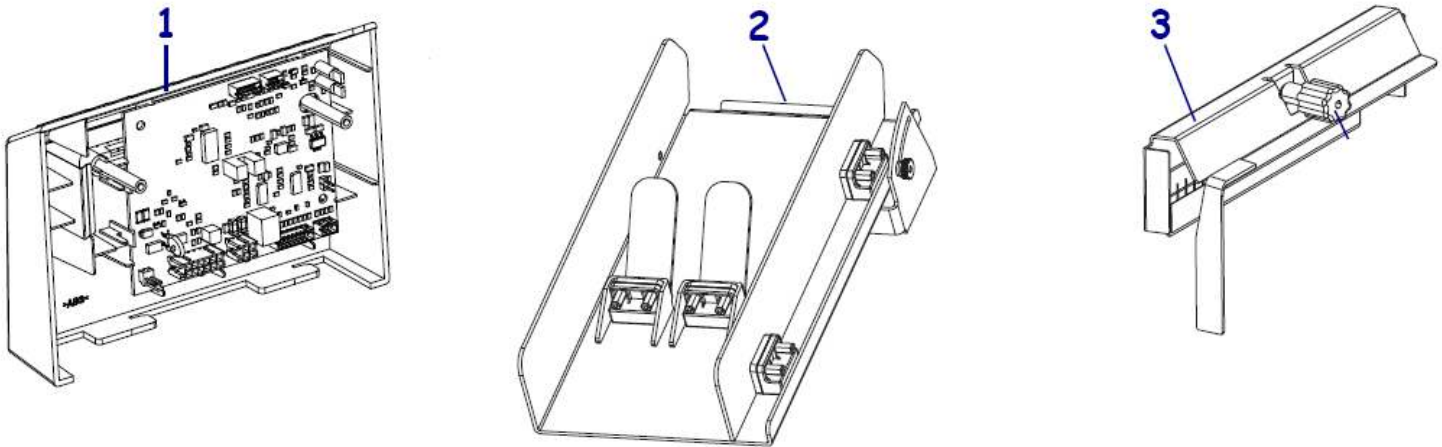
Item Number	Description	Part Number	Kit Quantity
1	Peel/Tear Bar ZT510	P1006115	1
2	Media Guide Plate (Snap Plate) ZT510	P1053360-015	1
3	Media Guide ZT510	P1006106	1
4	Media Dancer ZT510	41691M	1
5	Ribbon Take Up Spindle ZT510	G41150M	1
6	Ribbon Supply Spindle ZT510	P1053360-007	1
7	Ribbon Rollers ZT510	P1053360-009	1
8	Media Hanger ZT510	P1083347-029	1
9	Replacement Media Rewind Spindle (includes bearing) ZT510	G41155M	1

Media Handling Options



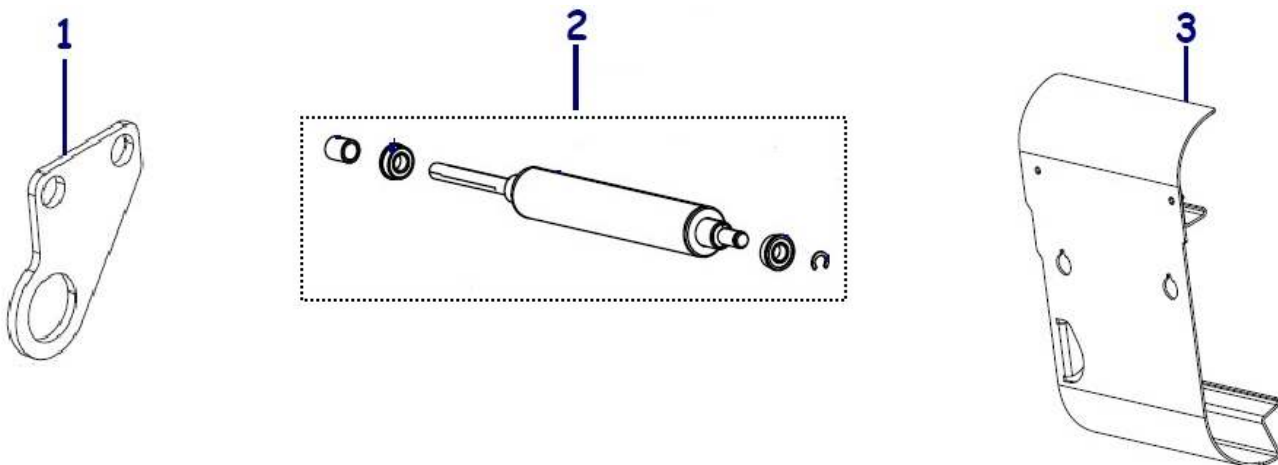
Item Number	Description	Part Number	Kit Quantity
1	Cutter Upgrade ZT510	P1083347-020	1
2	Media Rewind Upgrade ZT510	P1083347-021	1

Cutter Replacement Parts



Item Number	Description	Part Number	Kit Quantity
1	Cover with PCBA for Cutter (includes cable) ZT510	P1083347-022	1
2	Catch Tray for Cutter ZT510	P1083347-033	1
3	Guard with Static Brush for the Cutter ZT610	P1066612	1

Media Rewind Replacement Parts



Item Number	Description	Part Number	Kit Quantity
1	Rewind Roller Adjustment Plate (includes bearing) ZT510	P1006105	1
2	Rewind Roller (the rewind roller uses the shorter spacer included in the kit) ZT510	P1083347-012	1
3	Plate for Media Rewind ZT510	P1083347-032	1
	Replacement Media Rewind Spindle (includes bearing) ZT510	G41155M	1
	J Hook (Qty of 2) ZT510	P1006121	2

Packaging and Hardware

Item Number	Description	Part Number	Kit Quantity
	Packaging Material Qty of 1 ZT510	P1083347-034	1
	Packaging Material Qty of 8 ZT510	P1083347-035	8

Item Number	Description	Part Number	Kit Quantity
	Assorted Hardware (screws, washers, nuts, etc...) ZT510	P1083347-026	1