



CK65/CK3 Scan Handles

Models CK65-SCH, 203-879-003

Instructions

Anleitung für Scan-Griff

Instrucciones del mango de escaneado

Instructions pour le manche de lecture

Istruzioni per l'uso dell'impugnatura di scansione

スキャンハンドルの取り扱い方

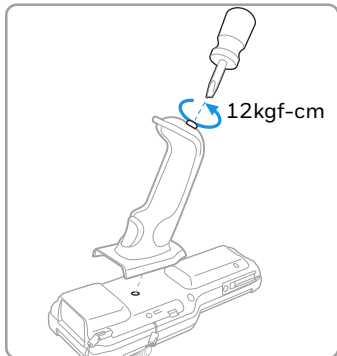
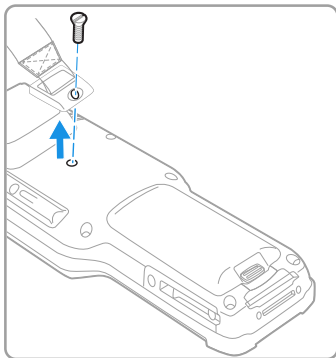
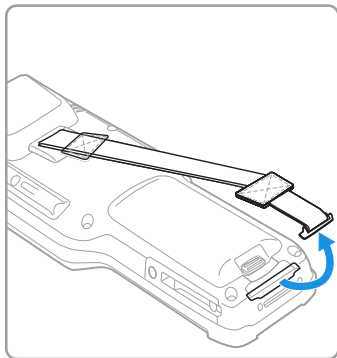
스캔 핸들 지침

Instruções de uso da alça de leitura

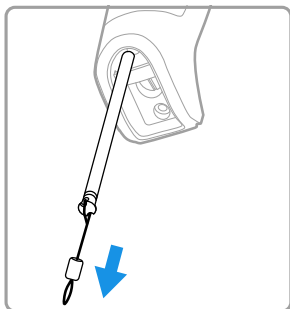
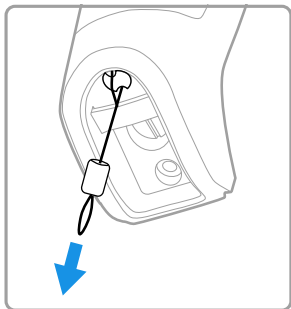
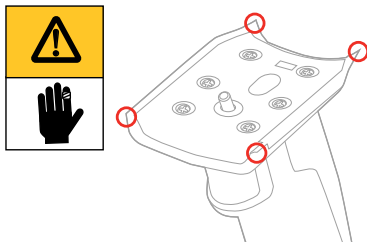
Инструкции к ручке сканера

扫描手柄说明

掃描握把說明



CK65-SCH



Support

To search our knowledge base for a solution or log into the Technical Support Portal and report a problem, go to www.honeywellaidc.com/working-with-us/contact-technical-support.

Um unsere Knowledge Base nach einer Lösung zu durchsuchen oder sich am Portal des technischen Supports anzumelden und ein Problem zu melden, besuchen Sie www.honeywellaidc.com/working-with-us/contact-technical-support.

Para buscar en nuestra base de conocimientos una solución o iniciar sesión en el portal de soporte técnico y notificar un problema, vaya a www.honeywellaidc.com/working-with-us/contact-technical-support.

Pour rechercher une solution dans notre base de connaissances ou pour vous identifier sur le Portail de l'assistance technique et signaler un problème, rendez-vous à l'adresse www.honeywellaidc.com/working-with-us/contact-technical-support.

Per cercare una soluzione nella nostra Knowledge base o accedere al Portale di supporto tecnico e segnalare un problema, andare a www.honeywellaidc.com/working-with-us/contact-technical-support.

知識ベースでソリューションを検索するか、または技術サポートポータルにログインして情報を報告するには、www.honeywellaidc.com/working-with-us/contact-technical-support を参照してください。

Knowledge Base 에서 솔루션을 검색하거나, Technical Support Portal 을 통해 문제를 해결할 수 있습니다. www.honeywellaidc.com/working-with-us/contact-technical-support 에서 확인하실 수 있습니다.

Para pesquisar uma solução em nossa base de conhecimentos ou fazer login no portal de Suporte Técnico e relatar um problema, acesse www.honeywellaidc.com/working-with-us/contact-technical-support.

Чтобы выполнить поиск решения в нашей базе знаний или войти в систему портала технической поддержки и сообщить о проблеме, перейдите на сайт www.honeywellaidc.com/working-with-us/contact-technical-support.

Bilgi tabanımızda çözüm aramak veya Teknik Destek Portalına oturum açıp sorun bildirmek için şu adrese gidin:
www.honeywellaidc.com/working-with-us/contact-technical-support.

若要搜索我们的知识库来寻找解决办法，或者要登录技术支持入口网站并报告问题，请访问 www.honeywellaidc.com/working-with-us/contact-technical-support。

若要在我們的知識庫搜尋解決方案或登入技術支援入口網站並報告問題，請造訪 www.honeywellaidc.com/working-with-us/contact-technical-support。

Documentation

Product documentation is available at www.honeywellaidc.com.

Die Produktdokumentation ist unter www.honeywellaidc.com verfügbar.

La documentación del producto está disponible en www.honeywellaidc.com

La documentation du produit est disponible sur le site www.honeywellaidc.com.

La documentazione sul prodotto è disponibile sul sito www.honeywellaidc.com.

製品ドキュメントは www.honeywellaidc.com で利用可能です。

제품 설명서는 www.honeywellaidc.com 에서 확인할 수 있습니다.

A documentação do produto está disponível em www.honeywellaidc.com.

Документацию по изделию можно найти на сайте www.honeywellaidc.com.

Ürün belgelerine www.honeywellaidc.com adresinden ulaşılabilir.

产品文档请参见 www.honeywellaidc.com.

產品文件集請參見 www.honeywellaidc.com.

Limited Warranty

For warranty information, go to www.honeywellaidc.com and click **Resources** > **Product Warranty**.

Informationen zur Garantie finden Sie auf www.honeywellaidc.com unter **Resources** (Ressourcen) > **Product Warranty** (Produktgarantie).

Para obtener información sobre la garantía, visite www.honeywellaidc.com y haga clic en **Resources** (Recursos) > **Product Warranty** (Garantía del producto).

Pour obtenir des informations sur la garantie, rendez-vous sur www.honeywellaidc.com et cliquez sur **Resources** (Ressources) > **Product Warranty** (Garantie du produit)

Per informazioni sulla garanzia, visitare il sito www.honeywellaidc.com e fare clic su **Resources** (Risorse) > **Product Warranty** (Garanzia del prodotto).

保証情報については、www.honeywellaidc.com に移動し、**Resources** (リソース) > **Product Warranty** (製品保証) をクリックしてください。

보증 정보는 www.honeywellaidc.com 을 방문해서 **Resources** (자료 받기) > **Product Warranty** (제품 보증) 을 선택하십시오 .

Para obter informações sobre a garantia, acesse www.honeywellaidc.com e clique em **Resources** (Recursos) > **Product Warranty** (Garantia do produto).

Для получения гарантийной информации перейдите на веб-сайт www.honeywellaidc.com и нажмите **Resources** (Доступ к ресурсам) > **Product Warranty** (Гарантия на изделие).

有关保修信息，请访问 www.honeywellaidc.com，单击 **Resources**（获取资源）> **Product Warranty**（产品质量保证书）。

如需瞭解保固資訊，請前往 www.honeywellaidc.com，然後按一下 **Resources**（取得資源）> **Product Warranty**（產品保固）。

Patents

For patent information, see www.hsmpats.com.

Informationen zu Patenten finden Sie unter www.hsmpats.com.

Consulte la información sobre patentes en www.hsmpats.com.

Pour plus d'informations sur les brevets, consultez www.hsmpats.com.

Per informazioni sui brevetti, consultare www.hsmpats.com.

特許情報については、www.hsmpats.com を参照してください。

특허 정보는 www.hsmpats.com을 참고해 주시기 바랍니다 .

Para obter informações sobre patentes, consulte www.hsmpats.com.

Для получения информации о патентах см. www.hsmpats.com.

Patent bilgileri için bkz. www.hsmpats.com.

有关专利信息，请参阅 www.hsmpats.com。

如需專利資訊，請參閱 www.hsmpats.com。

Disclaimer

Honeywell International Inc. (“HII”) reserves the right to make changes in specifications and other information contained in this document without prior notice, and the reader should in all cases consult HII to determine whether any such changes have been made. The information in this publication does not represent a commitment on the part of HII.

HII shall not be liable for technical or editorial errors or omissions contained herein; nor for incidental or consequential damages resulting from the furnishing, performance, or use of this material. HII disclaims all responsibility for the selection and use of software and/or hardware to achieve intended results.

This document contains proprietary information that is protected by copyright. All rights are reserved. No part of this document may be photocopied, reproduced, or translated into another language without the prior written consent of HII.

Copyright © 2012-2021 Honeywell International Inc. All rights reserved.