



THE POWER OF **CONNECTED**

CX80 Non-Dockable Scan Handle

Model CX80-ND

Quick Start Guide

Out of the Box

Make sure that your shipping box contains these items:

- CX80 Non-Dockable Scan Handle (CX80-ND)
- Regulatory Sheet

If any of these items are missing or appear damaged, contact your Customer Account Representative. Keep the original packaging in the event that you need to return the scan handle for service or if you want to store it while not in use.

The CX80 non-dockable scan handle was designed to allow access to all of the buttons and the touch panel of the mobile computer. You can use the CX80 inserted into the scan handle with the Scan Handle Holster. If you need to set the CX80 inserted into the scan handle down on a flat surface, you can place the combination nose down.

The scan handle can operate under all of the same environmental conditions as the CX80. The operating temperature is -20 °C to 50 °C (-4 °F to 122 °F).



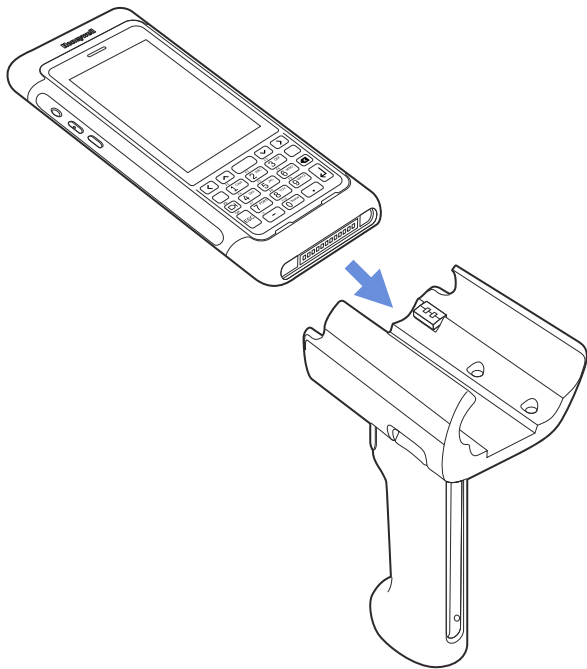
Caution: We recommend the use of Honeywell accessories and power adapters. Use of any non-Honeywell accessories or power adapters may cause damage not covered by the warranty.

Mise en garde : Il est recommandé d'utiliser les périphériques, les cordons d'alimentation et les adaptateurs secteur conçus par Honeywell. L'utilisation de tout périphérique, cordon d'alimentation ou adaptateur secteur d'une autre marque est susceptible de provoquer des dommages non couverts par la garantie.

Insert the CX80 into the Scan Handle

No special tools are required to attach the scan handle to the CX80.

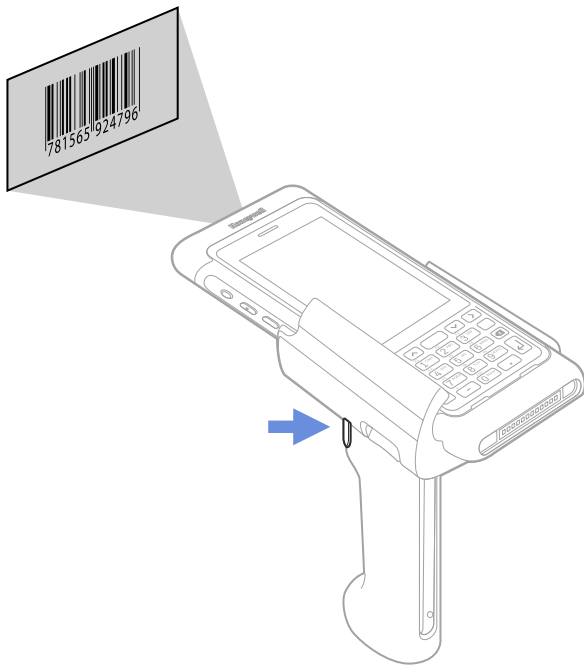
- Slide the CX80 into the scan handle until it clicks firmly in place.



Scan a Bar Code with the Scan Handle

The scan handle makes it easy to scan a bar code with the CX80. The scan handle does not interfere with the ability to hear a beep on a good read.

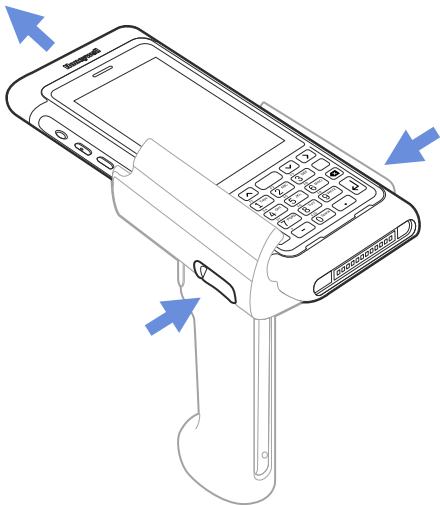
- Pull on the handle trigger to scan a bar code.



Remove the CX80 from the Scan Handle

If you need to replace the battery, you will need to remove the CX80 from the scan handle:

- Press in on the bottom of both scan handle latches and slide the CX80 out of the handle.



Support

To search our knowledge base for a solution or to log into the Technical Support portal and report a problem, go to www.hsmcontactsupport.com.

User Documentation

For the user guide and other documentation, go to www.honeywellaidc.com.

Limited Warranty

For warranty information, go to www.honeywellaidc.com and click **Get Resources > Product Warranty**.

Patents

For patent information, see www.hsmpats.com.

Trademarks

Android and Google and other marks are trademarks of Google Inc.

Disclaimer

Honeywell International Inc. (“HII”) reserves the right to make changes in specifications and other information contained in this document without prior notice, and the reader should in all cases consult HII to determine whether any such changes have been made. The information in this publication does not represent a commitment on the part of HII.

HII shall not be liable for technical or editorial errors or omissions contained herein; nor for incidental or consequential damages resulting from the furnishing, performance, or use of

this material. HII disclaims all responsibility for the selection and use of software and/or hardware to achieve intended results.

This document contains proprietary information that is protected by copyright. All rights are reserved. No part of this document may be photocopied, reproduced, or translated into another language without the prior written consent of HII.

Copyright © 2018 Honeywell International Inc. All rights reserved.