

Honeywell

LNX Series Accessories

User Guide

Disclaimer

Honeywell International Inc. (“HII”) reserves the right to make changes in specifications and other information contained in this document without prior notice, and the reader should in all cases consult HII to determine whether any such changes have been made. HII makes no representation or warranties regarding the information provided in this publication.

HII shall not be liable for technical or editorial errors or omissions contained herein; nor for incidental or consequential damages resulting from the furnishing, performance, or use of this material. HII disclaims all responsibility for the selection and use of software and/or hardware to achieve intended results.

This document contains proprietary information that is protected by copyright. All rights are reserved. No part of this document may be photocopied, reproduced, or translated into another language without the prior written consent of HII.

Copyright © 2023 Honeywell Group of Companies. All rights reserved.

Web Address: sps.honeywell.com

Other product names or marks mentioned in this document may be trademarks or registered trademarks of other companies and are the property of their respective owners.

For patent information, refer to www.hsmpats.com.

TABLE OF CONTENTS

Customer Support	iii
Technical Assistance	iii
Product Service and Repair	iii
Limited Warranty	iii
Chapter 1 - Introduction	1
List of Accessories	1
Agency Models.....	2
Chapter 2 - Home Base.....	3
Features	3
Out of the Box.....	3
Connect Power	4
Charge the Battery.....	4
Power LED.....	5
Chapter 3 - Quad Battery Charger.....	7
Features	7
Out of the Box.....	7
Connect Power	8
Charge the Battery.....	8
Status LED	8
Chapter 4 - Vehicle Adapter	9
Out of the Box.....	9
Connect Power	9

Customer Support

Technical Assistance

To search our knowledge base for a solution or to log in to the Technical Support portal and report a problem, go to honeywell.com/PSStechnicalsupport.

Product Service and Repair

Honeywell International Inc. provides service for all of its products through service centers throughout the world. Go to sps.honeywell.com and select **Support > Productivity** to find a service center near you or to get a Return Material Authorization number (RMA #) before returning a product.

Limited Warranty

For warranty information, go to sps.honeywell.com and select **Support > Productivity > Warranties**.

INTRODUCTION

Honeywell offers a full range of accessories for LNX series printers, including:

- Home Base for charging one LNX printer (see page 3)
- Quad Battery Charger for up to four batteries (see page 7)
- USB vehicle adapter (see page 9)



Caution: We recommend the use of Honeywell accessories and power adapters. Use of any non-Honeywell accessories or power adapters may cause damage not covered by the warranty.

Mise en garde: Il est recommandé d'utiliser les périphériques, les cordons d'alimentation et les adaptateurs secteur conçus par Honeywell. L'utilisation de tout périphérique, cordon d'alimentation ou adaptateur secteur d'une autre marque est susceptible de provoquer des dommages non couverts par la garantie.



Caution: Make sure that all components are dry prior to using the computers and batteries with accessories. Using wet components may cause damage not covered by the warranty.

Mise en garde: Assurez-vous que tous les composants sont secs avant de connecter les terminaux/batteries à des périphériques. L'insertion de composants humides risque de provoquer des dommages non couverts par la garantie.

List of Accessories

Accessory	Part Number
Single charging home base	LNX-HB
Quad Battery Charger	LNX3-QBC
Vehicle Adapter	LNX-VAC

For a complete list of accessories for your mobile computer and their part numbers see the *Accessory Guide* for your device, available for download at sps.honeywell.com.

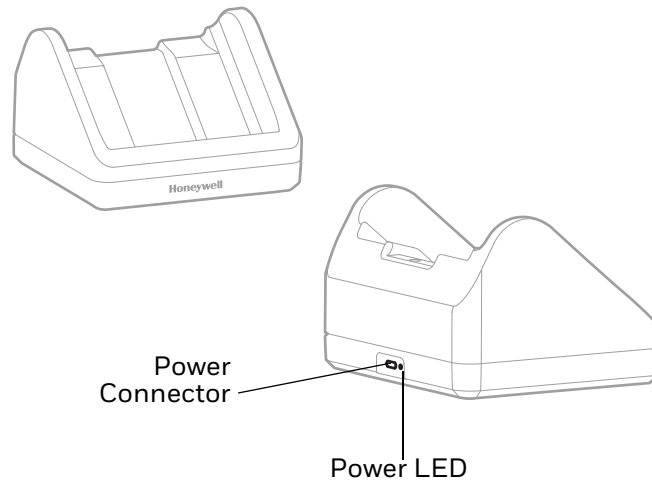
Contact your local sales representative for ordering information.

Agency Models

LNX-HB, LNX3-QBC, LNX-VAC

The LNX-HB Home Base is a charge base for one mobile printer.

Features



Out of the Box

Make sure that your shipping box contains these items:

- Home Base (LNX-HB)
- Power adapter
- USB cable
- Product documentation

If any of these items are missing or appear damaged, contact your Customer Account Representative. Keep the original packaging in the event that you need to return the charger for service or if you want to store it while not in use.

Connect Power

Use only Honeywell-approved power supply with an output rated at 5 VDC and 2A or greater.

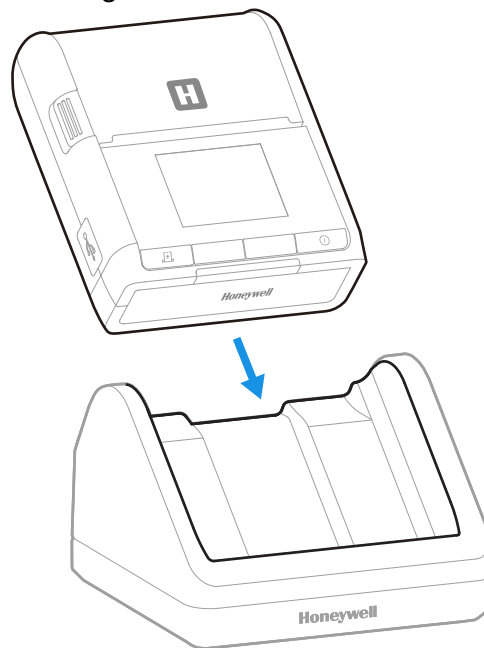


Caution: The maximum operating temperature of the printer is 55°C (131°F); however the maximum operating temperature for charging when used with a Honeywell power supply is limited to 40°C (104°F). Charge the printer in a location that meets this temperature requirement.

1. Plug the USB cord into the power supply.
2. Plug the USB cable into the power connector on the back of the base.
3. Plug the power cord into a standard wall outlet

Charge the Battery

Insert the printer into the charger.



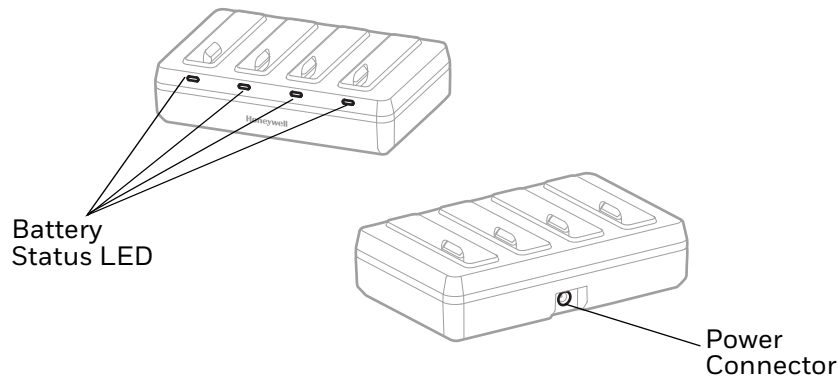
Power LED

LED	Status	Description
Power	Solid Red	The base is connected to external power.

QUAD BATTERY CHARGER

The LNX Quad Battery Charger (LNX3-QBC) simultaneously charges up to four rechargeable Li-ion battery packs used in LNX Series printers.

Features



Out of the Box

Make sure that your shipping box contains these items:

- Quad Battery Charger (LNX3-QBC)
- Power supply
- Power cord
- Product documentation

If any of these items are missing or appear damaged, contact your Customer Account Representative. Keep the original packaging in the event that you need to return the charger for service or if you want to store it while not in use.

Connect Power

Use only Honeywell-approved power supply with an output rated at 5 VDC and 2A or greater.

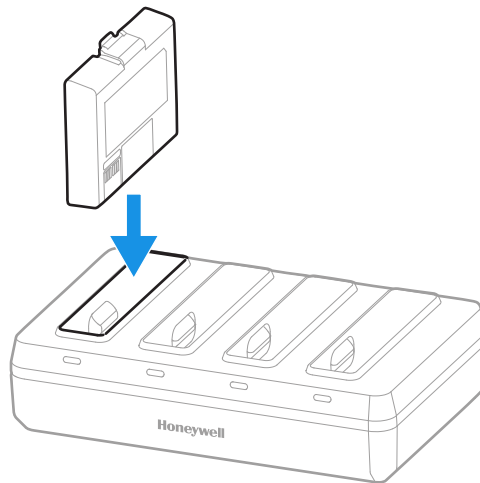


Caution: The maximum operating temperature of the printer is 55°C (131°F); however the maximum operating temperature for charging when used with a Honeywell power supply is limited to 40°C (104°F). Charge the printer in a location that meets this temperature requirement.

1. Plug the power cord into the power supply.
2. Plug the power supply cable into the power connector on the back of the base.
3. Plug the power cord into a standard wall outlet

Charge the Battery

Insert the battery into the charger.



Status LED

LED	Status	Description
Battery	Solid Green	The battery is connected to external power and is fully charged.
	Solid Red	The battery is connected to external power and is charging.

VEHICLE ADAPTER

The LNX-VAC Vehicle adapter allows you to power and charge your LNX printer through a vehicle power port.

Out of the Box

Make sure that your shipping box contains these items:

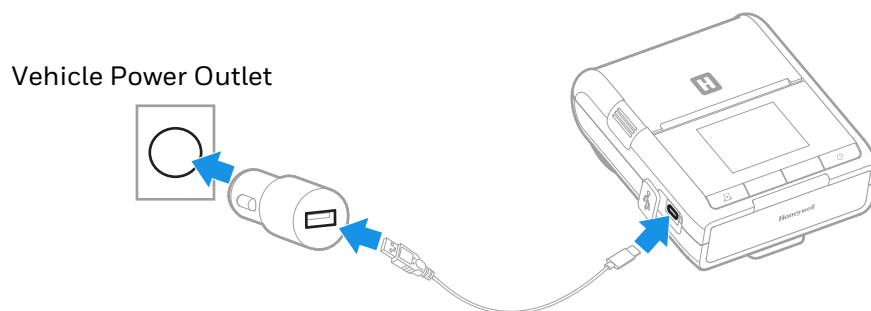
- Vehicle Adapter (LNX-VAC)
- Product documentation

If any of these items are missing or appear damaged, contact your Customer Account Representative. Keep the original packaging in the event that you need to return the charger for service or if you want to store it while not in use.

Connect Power



Caution: The maximum operating temperature of the printer is 55°C (131°F); however the maximum operating temperature for charging when used with a Honeywell power supply is limited to 40°C (104°F). Charge the printer in a location that meets this temperature requirement.



Honeywell
855 S. Mint Street
Charlotte, NC 28202

sps.honeywell.com