

Honeywell

PC43K

Integrated Print/Scan Solution

powered by Android™



User Guide

Disclaimer

Honeywell International Inc. (“HII”) reserves the right to make changes in specifications and other information contained in this document without prior notice, and the reader should in all cases consult HII to determine whether any such changes have been made. The information in this publication does not represent a commitment on the part of HII.

HII shall not be liable for technical or editorial errors or omissions contained herein; nor for incidental or consequential damages resulting from the furnishing, performance, or use of this material. HII disclaims all responsibility for the selection and use of software and/or hardware to achieve intended results.

This document contains proprietary information that is protected by copyright. All rights are reserved. No part of this document may be photocopied, reproduced, or translated into another language without the prior written consent of HII.

Copyright © 2020 Honeywell International Inc. All rights reserved.

Web Address: www.honeywellaidc.com

Trademarks

Google, Android, Google Play, Google Pay and other marks are trademarks of Google LLC.

Bluetooth trademarks are owned by Bluetooth SIG, Inc., U.S.A. and licensed to Honeywell.

Qualcomm and Snapdragon are registered trademarks or trademarks of Qualcomm Incorporated in the United States and/or other countries.

Microsoft® Windows®, Windows NT®, Windows 2000, Windows ME, Windows XP, and the Windows logo are trademarks or registered trademarks of Microsoft Corporation.

Other product names or marks mentioned in this document may be trademarks or registered trademarks of other companies and are the property of their respective owners.

Patents

For patent information, refer to www.hsmpats.com.

TABLE OF CONTENTS

Customer Support	vii
Technical Assistance	vii
Product Service and Repair	vii
Limited Warranty	viii
Caution Statements	ix
Chapter 1 - Get Started	1
Features	1
Kiosk Front View	2
Back View (Power Port).....	2
Side View	3
Printer Lid Open View	3
Swing Arms Movement Range	4
Tablet Movement Range	4
Printer Features.....	5
Tablet Features	5
About Home Screen	6
Navigation Buttons	6
PC43K Applications.....	7
Scan Features.....	7
Chapter 2 - Set Up the Kiosk	9
Loading the Media.....	9
Open Printer Media Lid for Media Loading	9
Load Media for Tear-off Printing	10
Load Media for Cut-off Printing	13

Load Media for Label Dispenser	14
Load External Media	16
Power on the Kiosk	17
Print a Test Label	18
About Scan Engine.....	19
Scan a Code.....	19

Chapter 3 - Using the Kiosk..... 21

Kiosk Applications	21
PC43K-Demo Application.....	21
Register at an Event.....	22
Return an Item	22
Ship a Package	23
PC43K- Firmware Updater for Printer.....	24
How to Update Firmware	24
Honeywell App Lock.....	25
Enable App Lock	25
How to Use.....	26
Change Account Password	29
Android Applock Security Warning.....	30

Chapter 4 - USB Connectivity 31

Connectivity.....	31
Installing Customized Applications	32
Deleting Customized Applications	34

Chapter 5 - Troubleshooting 35

Error Alerts and Solutions	35
Troubleshoot Kiosk Problems and Find Solutions	36
Kiosk Problems.....	36
Kiosk Default Settings	37
Disabled Features	37

Chapter 6 - Maintenance39

- Clean the Kiosk.....39
 - Clean the Touch Panel and Scanner Window.....40
 - Clean the Printhead.....40
 - Clean the Platen Roller.....41
 - Clean the Exterior of the Kiosk.....42

Appendix A - Specifications43

- Kiosk Specification43
 - Printer Supported Command Languages43
 - Media Sensors43
 - Scanner Specifications44
 - Supported Symbologies44
 - N3680 Scan Engine Reading Distances44
- Dimension Illustration45
 - PC43K Width45
 - PC43K Length and Height.....45
- Wall Mount Bracket.....46

Customer Support

Technical Assistance

To search our knowledge base for a solution or to log in to the Technical Support portal and report a problem, go to www.hsmcontactsupport.com.

For our latest contact information, see www.honeywellaidc.com/locations.

Product Service and Repair

Honeywell International Inc. provides service for all of its products through service centers throughout the world. To find your service center, go to www.honeywellaidc.com and select Support. Contact your service center to obtain a Return Material Authorization number (RMA #) before you return the product.

To obtain warranty or non-warranty service, return your product to Honeywell (postage paid) with a copy of the dated purchase record. To learn more, go to www.honeywellaidc.com and select **Service & Repair** at the bottom of the page.

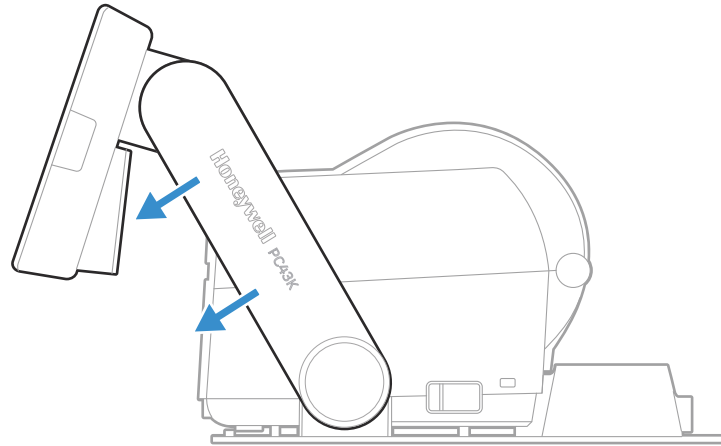
For ongoing and future product quality improvement initiatives, the mobile computer comes equipped with an embedded device lifetime counter function. Honeywell may use the lifetime counter data for future statistical reliability analysis as well as ongoing quality, repair, and service purposes.

Prepare Kiosk for Service & Repair Shipping

Keep all original packaging material in the event that you need to return the kiosk for service. To prepare the kiosk and avoid potential damage during transit:

1. Turn off the AC power switch.
2. Remove the AC power adapter from the kiosk and from the AC power socket.
3. Press and hold the power button of the tablet until the options menu appears. Tap **Power off**.
4. Remove the media installed in the printer.

5. Lower the swing arms to front.



6. Use the original packing materials to secure and protect the kiosk in the box.
7. Securely seal the shipment.

Note: Honeywell is not responsible for any damage caused during shipment/transit.

Limited Warranty

For warranty information, go to www.honeywellaidc.com and click **Resources > Product Warranty**.

Caution Statements



Caution: Read and review the warnings in this manual carefully before connecting the kiosk.



Caution: Observe all safety and accident prevention regulations applicable to your specific region and application.



Caution: You must implement both hardware and software safety precautions to prevent the possibility of undefined system states.



Caution: To reduce the risk of electric shock or fire, keep the cover closed and turn off the kiosk when not in use. There are no user-serviceable parts inside the power supply unit.



Caution: The load for each peripheral connected through USB port should not exceed 500mA.



Caution: Do not store the kiosk without using it for a long period of time. If storing for over 6 months, make sure to charge by turning on the kiosk.

GET STARTED

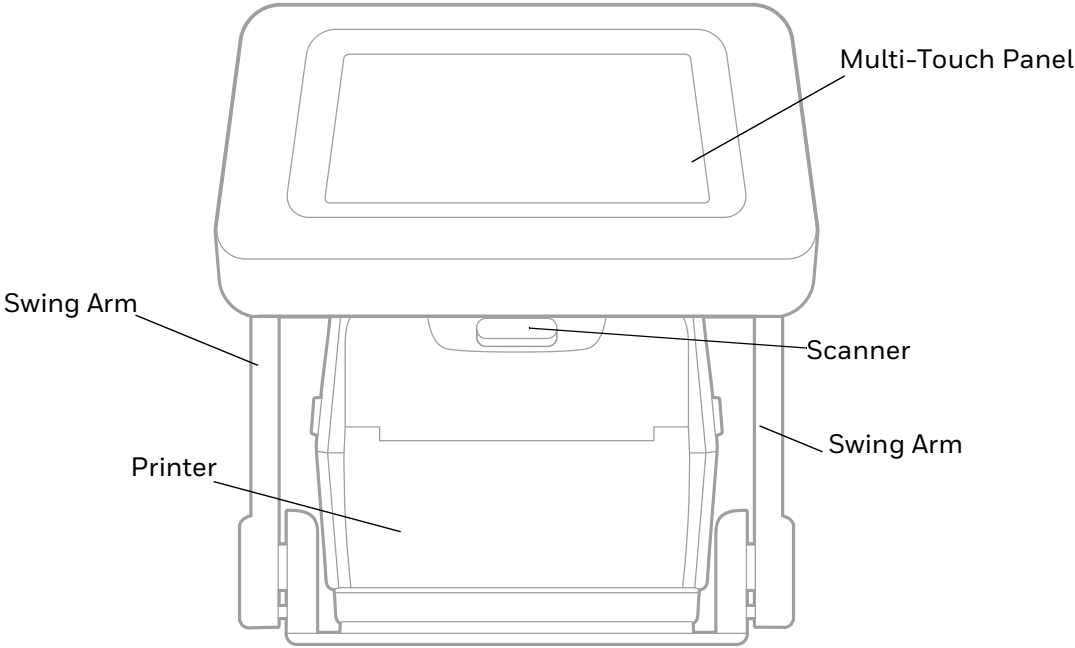
The PC43K is designed to provide a compact, self-customizable solution for deploying a kiosk with scan and print capability. Integrated with Honeywell's compact printer, Android enabled Honeywell tablet, and a versatile Honeywell scanner, the PC43K comes with fully articulated swing arms for easy user access.

Honeywell provides demo applications and Power Tool applications that make the PC43K user-friendly and easy to deploy. The demo application provides a self-learning framework to develop your custom kiosk application. The kiosk is powered through an AC power adapter.

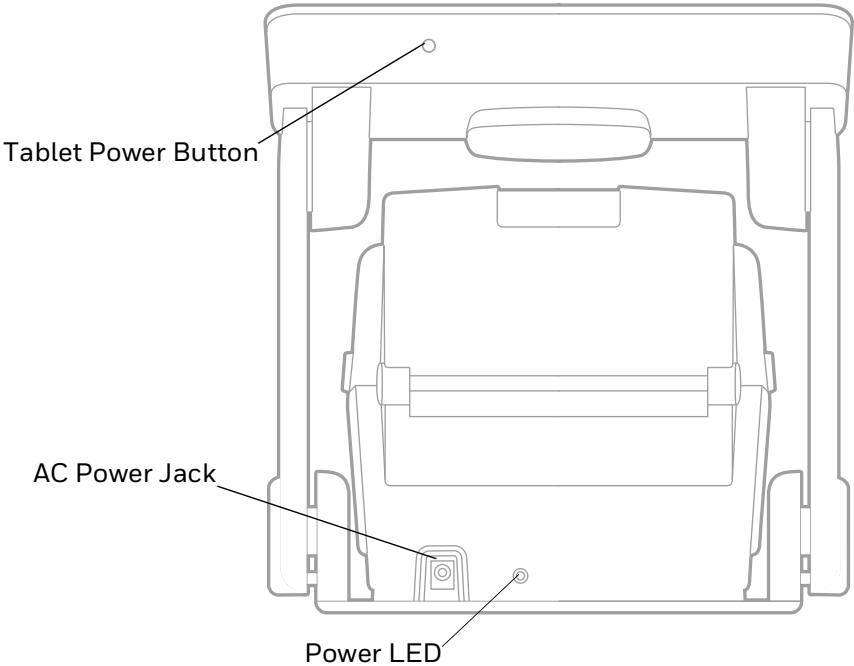
Features

- Fully integrated printer, tablet, and scanner
- Fixed or fully articulated arms for easy viewing
- Large multi-touch panel
- Supports printing on multiple media types
- Supports uploading custom-designed application
- WLAN IEEE 802.11 a/b/g/n/ac
- Honeywell Power Tools and PC43K-Demo Application
- Honeywell App Lock application
- Desktop and wall mount design

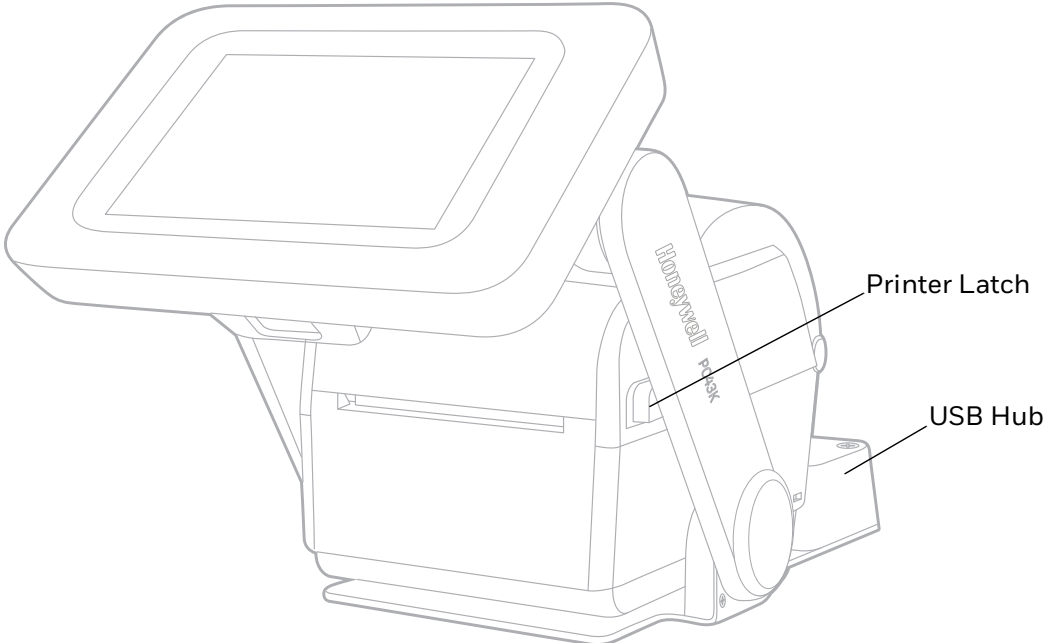
Kiosk Front View



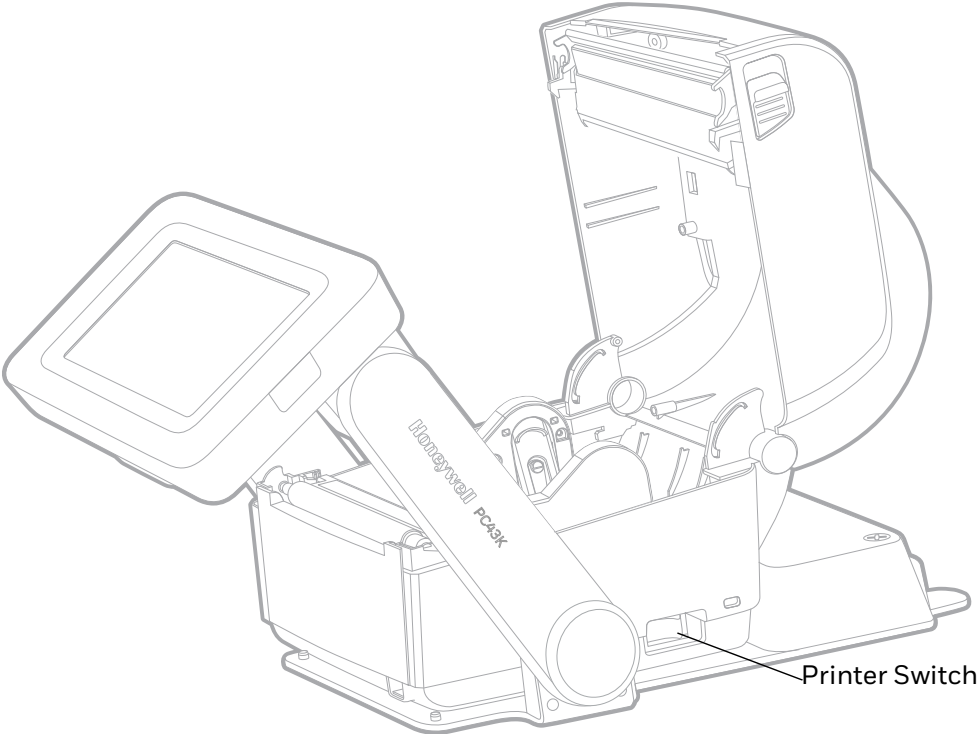
Back View (Power Port)



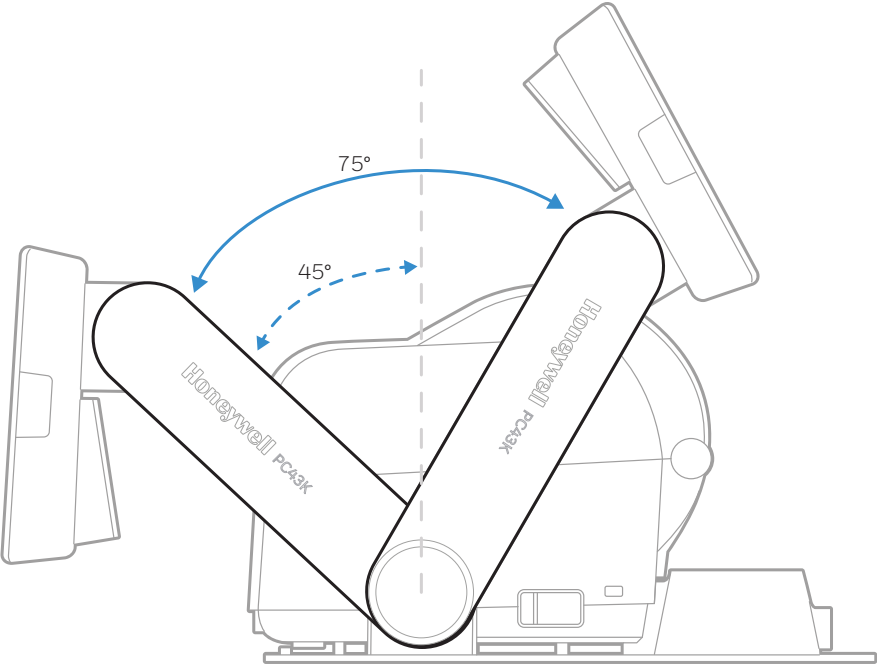
Side View



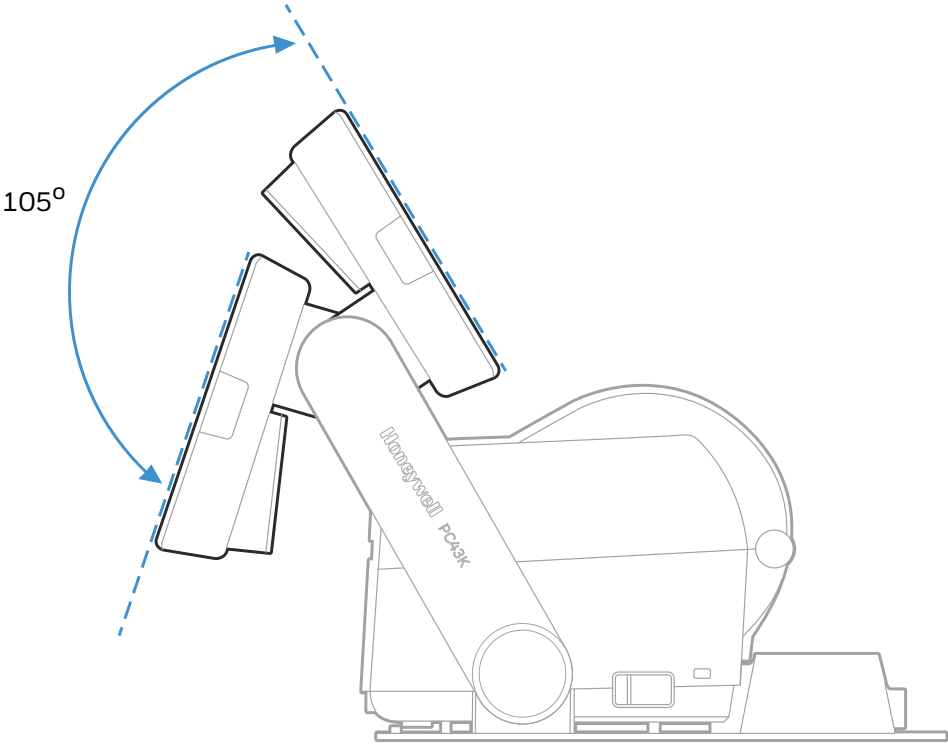
Printer Lid Open View



Swing Arms Movement Range



Tablet Movement Range



Printer Features

The PC43K has an integrated direct thermal (DT) printer that delivers:

- Print speeds of up to 8 ips (203 dpi printhead) or 6 ips (300 dpi printhead)

Note: For efficient power management, Honeywell recommends printing at a default speed of 4 ips.

- Multiple selectable printer languages including Honeywell Fingerprint/Direct Protocol.

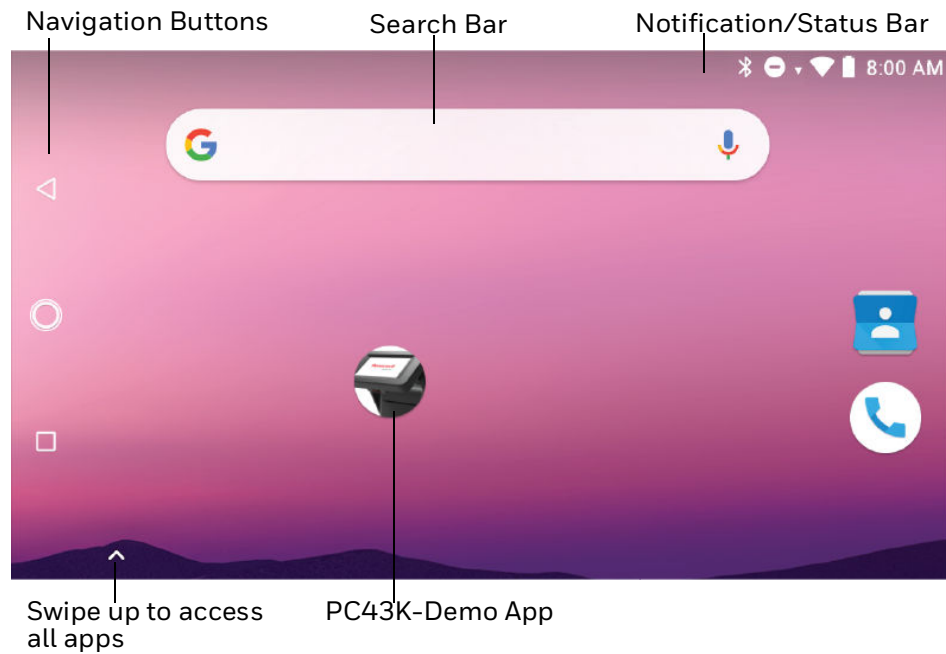
Note: For detailed information about the printer, refer to the PC43d User Guide.

Tablet Features

The tablet has a 7-inch full-touch screen that supports touch input with fingers or gloved hands.

- Android 8 (Oreo), upgradable to Android P and Q
- 2 GB RAM, 32GB flash memory
- 7-inch HD (1280 x 720) bright color LCD with backlight
- Large display with multi-touch panel
- NFC technology for short-range wireless data transmission
- WLAN IEEE 802.11 a/b/g/n/ac; Wi-Fi Certified
- Bluetooth Class 2 v4.2
- Honeywell Power Tools and PC43K - Demo Application
- Honeywell App Lock application

About Home Screen



Home screen features

Item	Description
Notification Panel/ Status Bar	Status icons to the left tell you when an app has sent you notifications. System icons to the right display current network state, time, and battery information.
Search Bar	Search the Internet using Google search. Touch the microphone to initiate voice search.
PC43K-Demo App	Kiosk demo application. Demonstrates the basic capabilities of the kiosk and is not intended as a functional business solution.

Navigation Buttons

Button	Description	
	Back	Tap to return to previous screen.
	Home	Tap to return to Home screen.
	Recent Apps	Tap to view and switch between recently accessed applications.

Note: The ScanPal EDA71 built-in scanner is disabled. The N3680 scanner is integrated with the kiosk.




The tablet does not need separate charging as it is continuously connected to power. A special feature is added to the kiosk to cut-off charging when the battery is fully charged preventing the battery from overcharging.

Note: For detailed information about the tablet, refer to the ScanPal EDA71 User Guide.

PC43K Applications

To learn more about Honeywell Applications, go to www.honeywellaidc.com.

Honeywell PC43K Applications

Icon	Application	Descriptions
	PC43K-Demo	Demonstrates the basic capabilities of the kiosk and is not intended as functional business solution.
	PC43K-FW Update	Application to update the printer firmware.
	App Lock	To configure app restrictions for kiosk applications.

Scan Features

PC43K comes equipped with N3680 scan engine. The N3680 barcode scan engine is fully decoded 2D imager that utilizes Honeywell decoding and imaging technology. The scanner supports wide variety of symbologies including 1D and 2D barcodes, composite code, and postcode.

The N3680 series scanner supports comprehensive, highly flexible scanning in real applications.

- Enhanced performance scanning and imaging capabilities
- Ability to scan hard-to-read codes including codes from mobile phone screens
- CMOS sensor with 640 x 480 pixel resolution
- Frame rate of 30fps
- Aimer with red LED dot

For the detailed list of supported barcode symbologies, go to [Supported Symbologies](#).

Note: For detailed information about the scanner, refer to the N3680 2D Scan Engine datasheet.

SET UP THE KIOSK

This section contains information about loading media, setting up the kiosk, printing a test label, and adjusting the printer.

Loading the Media

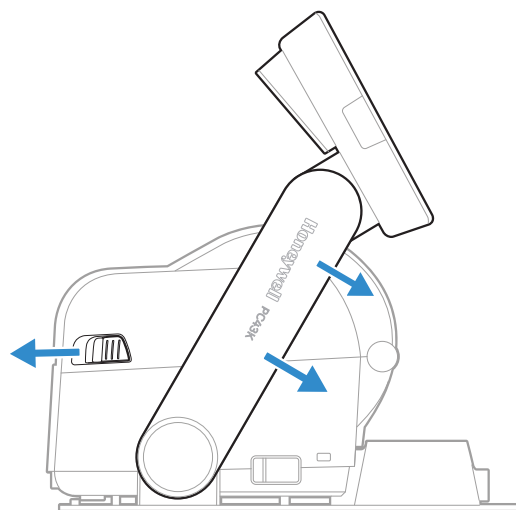
The kiosk can print on labels, tickets, tags, and continuous stock. The procedure you use to load media depends on how you operate the kiosk and the options you have installed.

Note: For more information about the media calibration, see the *PC43d User Guide*.

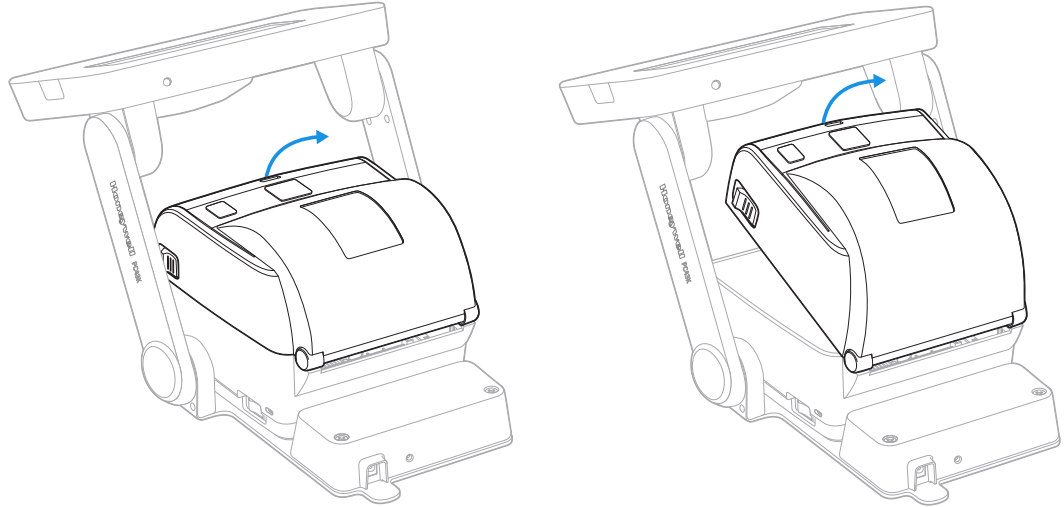
Open Printer Media Lid for Media Loading

Media can be loaded in the printer by opening the printer lid.

1. Push the swing arms to the rear of the kiosk and pull one or both the printer latches forward.



2. Pull the swing arms to the front and open the printer lid.



Warning: Moving parts are exposed when the cover is open. Make sure the printer cover is closed before operating the kiosk.

Note: For detailed information about the printer, see the PC43d User Guide.

Load Media for Tear-off Printing

Tear-off printing is applicable to media with perforation. Printed labels, tickets, and other printed media are manually torn from the front of the printer. These types of media can be used for tear-off printing:

- Non-adhesive continuous stock
- Self-adhesive continuous stock with liner
- Self-adhesive labels with liner
- Tickets with black marks, with or without perforations



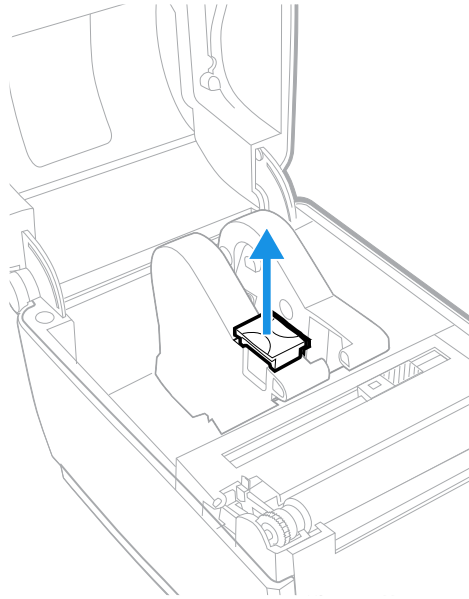
Warning: The tear bar contains sharp edges. Keep your fingers and other body parts away from the tear bar.

To load the media for tear-off printing,

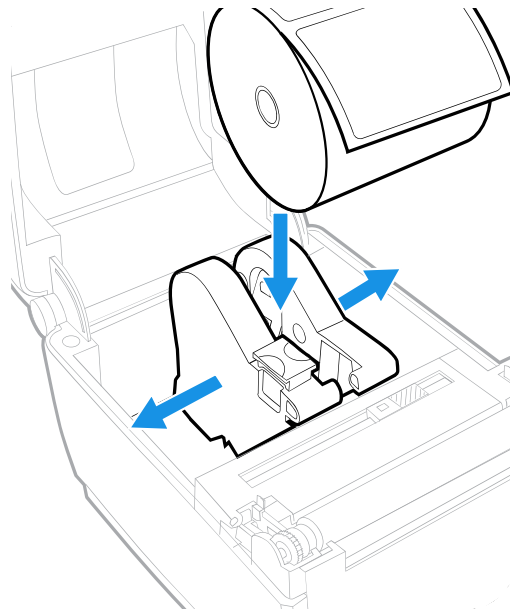
1. Load the media roll on to the printer. Follow steps 1 - 2 from [Open Printer Media Lid for Media Loading](#).

Note: For large rolls of media stored outside the printer, such as an external media holder, feed the media through the external media feed slot.

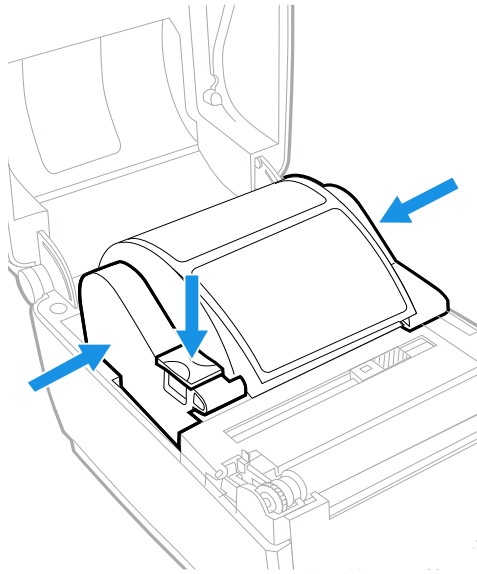
2. To adjust the media holders of different media size:
 - a. Pull the locking tab up.



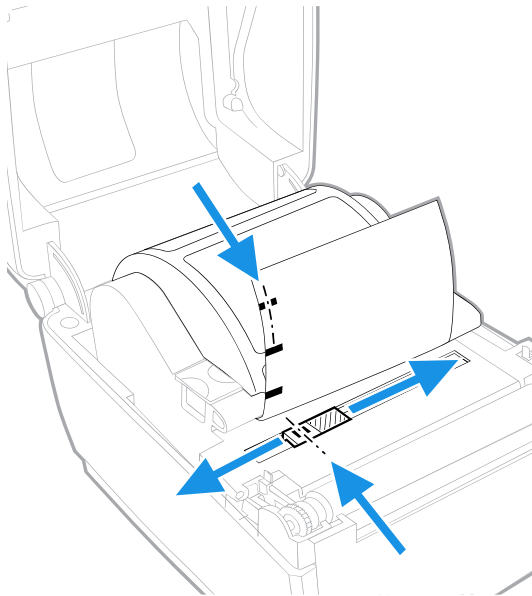
- b. Slide the media holders to adjust the distance between them and place the media roll between the holders.



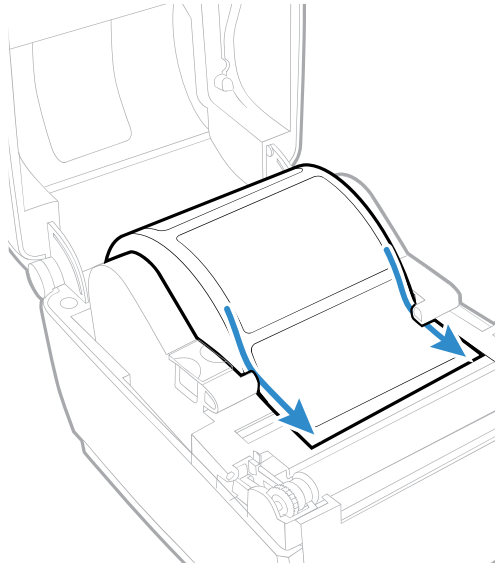
- c. Make sure the media holders are snug against the sides of the media roll and press the tab down to lock the media holders in place.



3. If you are using notched or black mark stock, slide the label stop sensor so the notches or marks pass over the sensor.



4. Thread the media under the tip guides on the media holders and past the front of the printer.



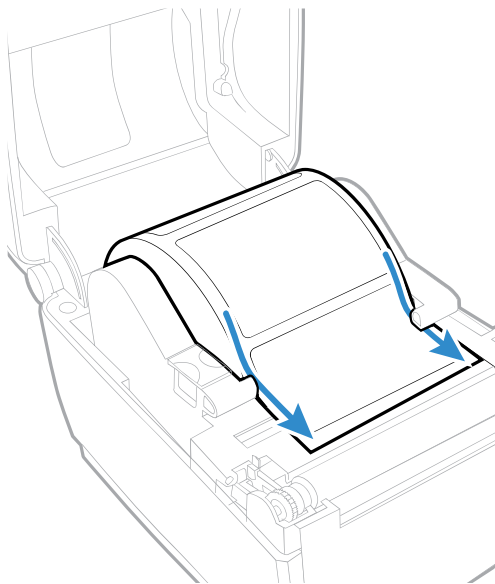
5. Close the printer lid until it snaps shut.
6. Use the tablet and respective application to print on the media.

Load Media for Cut-off Printing

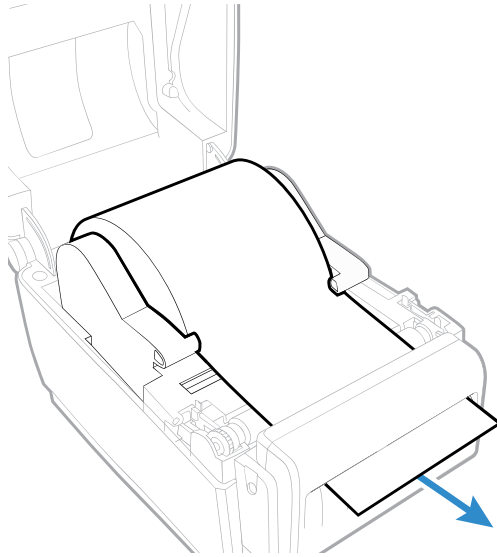
Cut-off printing is applicable to media where each label is automatically cut from the media roll immediately after the label is printed. You can also use self-adhesive labels with a liner making sure to cut only the liner.

Follow steps 1-2 from [Load Media for Tear-off Printing](#), then:

1. Thread the media under the tip guides on the media holders.



2. Thread the media into the slot in the cutter accessory and out through the front of the cutter.

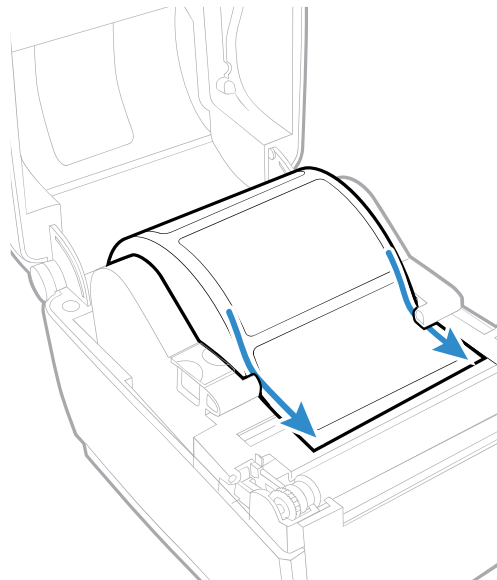


3. Close the printer lid until it snaps shut.
4. Access the print application in the kiosk to print on the media.

Load Media for Label Dispenser

Follow steps 1-3 from [Load Media for Tear-off Printing](#), then:

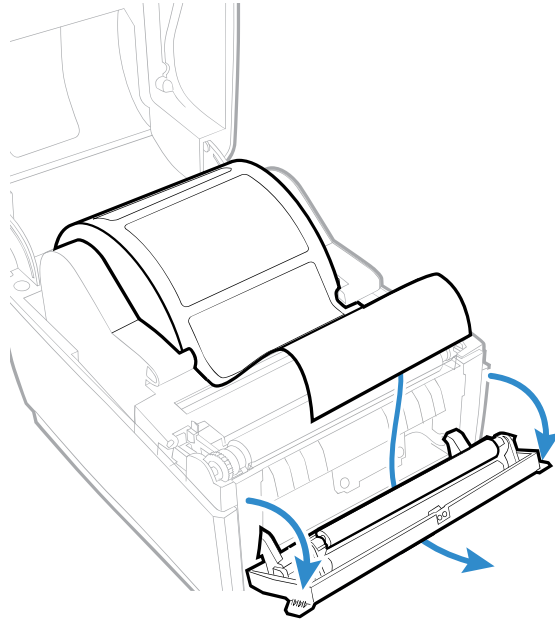
1. Thread the media under the tip guides on the holders.



2. Open the label dispenser front door.
3. Remove the label closest to the end of the liner.

4. Route the liner through the slot in the front door of the label dispenser. The liner should be over the roller in the printer and under the roller in the front door of the label dispenser.

Note: Do not pull on the media to take up the slack.

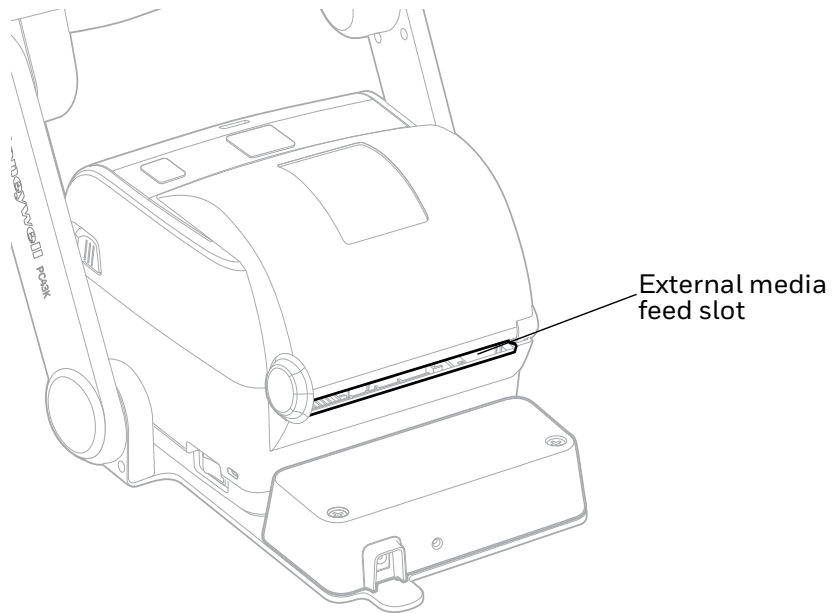


5. Close the front door.
6. Close the printer lid until it snaps shut.
7. Use the tablet and respective application to print on the label.

Load External Media

To use large rolls of media or tag stock (up to 8-in diameter), you can load the media from outside the printer.

1. Place the media behind the printer.
2. Feed the media into the printer through the external media feed slot.



3. Thread the media through the media holders or media guides as you would for media installed inside the printer.

Power on the Kiosk

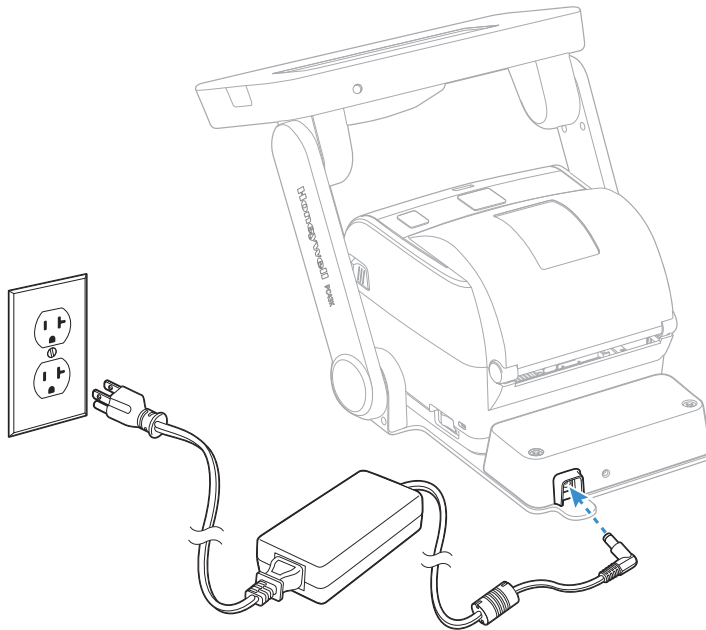
After you have installed the media, power on the kiosk for the first time.

To power up the kiosk,

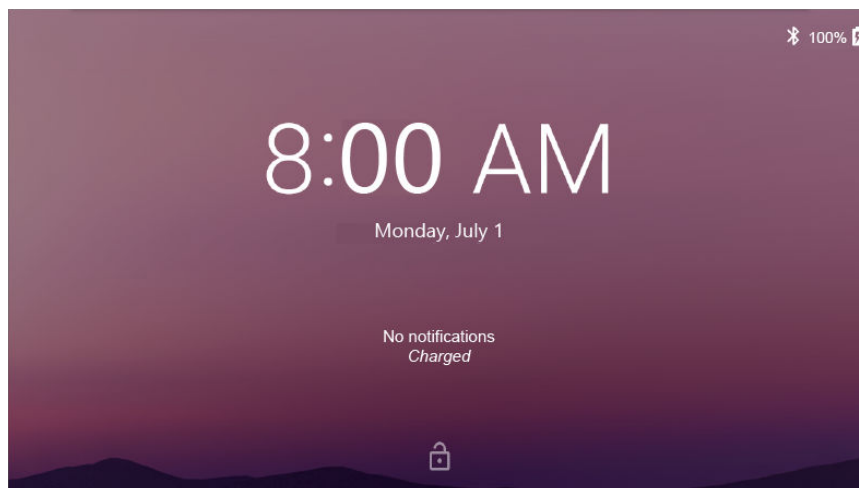
1. Connect one end of the power adapter cord to the back of the kiosk and the other end to AC power.



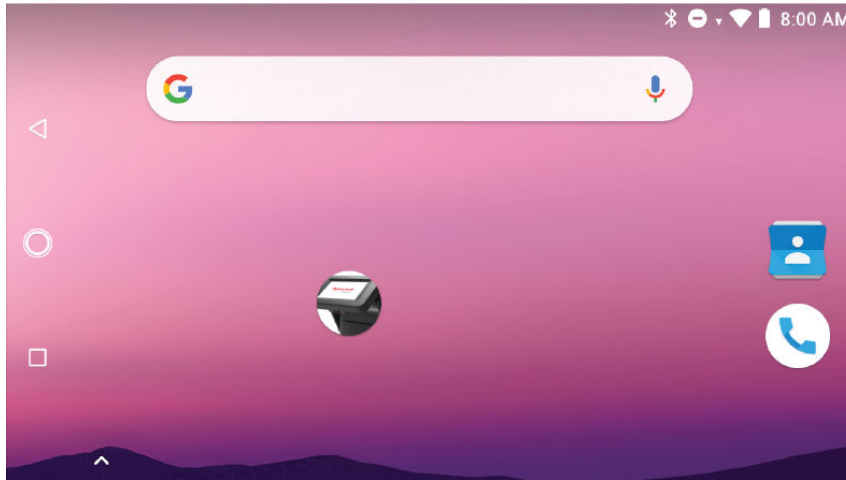
Warning: Installing the kiosk requires the power cord to be connected to a socket-outlet with a grounded connection.



2. The kiosk boots up and displays the lock screen.



3. Swipe up to unlock the tablet home screen.



4. Press the power switch located on the right side of the printer unit.



Warning: Do not put your fingers inside the print mechanism when the power is on.

Users may perform customized settings (for example, set date, time, display settings, etc.) once the tablet is turned on for the first time.

Print a Test Label

You can access the PC43K-Demo application to print a test label.

1. Connect the kiosk to power and turn on the kiosk.
2. Make sure to load direct thermal media (4 in x 6 in) and adjust the media holder.
3. From the PC43K-Demo, select **Register at an Event**.
4. Enter the details and select **Print Badge**.

About Scan Engine

The scan engine emits scanning beams for accurate barcode aiming. The scan engine has a viewfinder that projects a bright red aiming beam that corresponds to the scan engine's horizontal field of view.

The aiming beam is smaller when the code is closer to the scan engine and larger when it is farther from the scan engine. Symbologies with smaller bars or elements should be read closer to the scanner window. Symbologies with larger bars or elements should be read farther from the scanner window. If the code being scanned is highly reflective (for example, laminated), it may be necessary to tilt the code up 15° to 18° to prevent unwanted reflection.

In the demo application, any operation that requires scanning input will automatically turn on the scan LED in the kiosk. You can adjust the swing arms of the kiosk to securely scan any item.

Scan a Code

You can access the PC43K-Demo application to scan a test code.

1. Open PC43K-Demo, select **Register at an Event**.
2. Place the code under the scan window. A beep sound confirms a successful scan.

USING THE KIOSK

This section contains information about the kiosk application and its use cases.

Kiosk Applications

The kiosk application details all the use cases of the PC43K.

The kiosk comes with three main applications.

- PC43K-Demo
- PC43K-FW Update
- Honeywell App Lock

PC43K-Demo Application

The demo application demonstrates the basic capabilities of the kiosk and is not intended as a functional business solution. The demo application shows the operating features of the following functions.

- [Register at an Event](#)
- [Return an Item](#)
- [Ship a Package](#)



Register at an Event

The *Register at an event* function in the demo application demonstrates the following features of the application.

- Enter user code and print
- Scan a code and print
- Event registration and generate code



Return an Item

The *Return an item* function in the demo application demonstrates the following features of the application.

- Scan a receipt
- Enter barcode value

Honeywell

Required Assistance?

Scan Your Receipt

Process a Return

Receipt Barcode



CLEAR

Ship a Package

You can enter the user details where the item is to be shipped and print the shipping label.

Honeywell

Required Assistance?

Is hazardous?

Weight: Less than 1kg



Ship Your Package To

Name (To)

Address (To)

Phone number (To)

Ship Your Package From

Name (From)

Address (From)

Phone number (From)

Done

PC43K- Firmware Updater for Printer

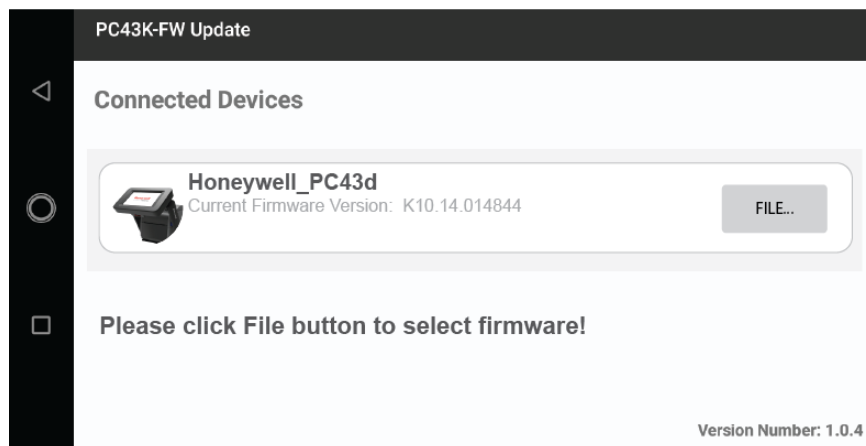
The firmware update application allows the user to install the latest firmware to the printer.

Download the latest firmware file to your PC and copy to your thumb drive.

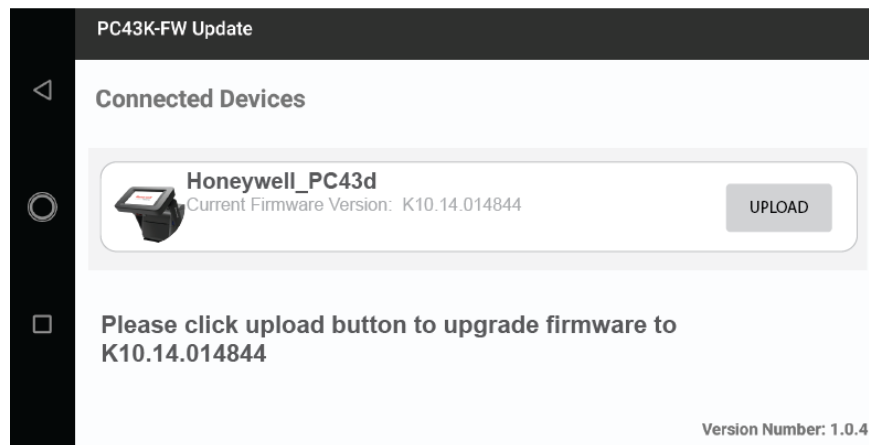
Software downloads can be accessed through the Technical Support Downloads Portal (<https://hsmftp.honeywell.com>). For PC43K firmware file, navigate through **Softwares > Printers > Desktop > PC23PC43PD43 > Current > Firmware**.

How to Update Firmware

1. Connect the USB thumb drive with the downloaded firmware file to the USB port of the USB hub. To access the USB hub, follow step 1 - 3 from [Installing Customized Applications](#).
2. Tap on the **PC43K-FW Update** icon.



3. Tap **File**.
4. The firmware file in the USB thumb drive will be displayed. Tap on the firmware file. Tap **Upload**.



The firmware installation will begin and may take up to 30 minutes to complete.

Note: Do not interrupt the upload process. The printer will reboot once the installation is complete.

Honeywell App Lock



App Lock is an Android application that can be used to lock unwanted applications and restrict users from accessing them.

The functions of the Honeywell App lock include:

1. Locks the Home page to prevent users from accessing contents unrelated to work; any exit from App Lock would require administrator's authority.
2. Supports the selections of automatic operation of one or more programs when switching on the device.
3. Supports white list of defined programs, and bars forbidden software.

By default, the app lock is not enabled for the kiosk applications. Once the App lock application is accessed, the kiosk will be operated in app lock condition, which would require administrator's authority.


Enable App Lock

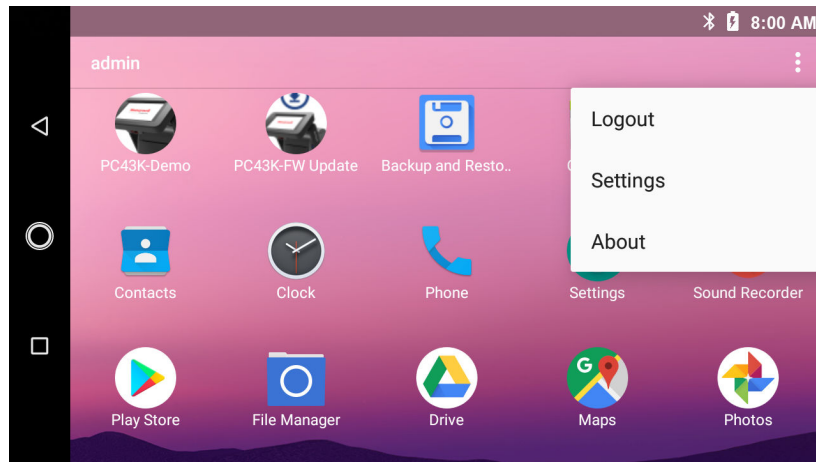
1. Tap on the App Lock icon .
2. Scroll down the Settings page, and tap on the **AppLock Switch** .
3. Log in by entering the administrator's login and password.

Note: First time user would need to enter Username as **admin** and password as **admin059** to login.

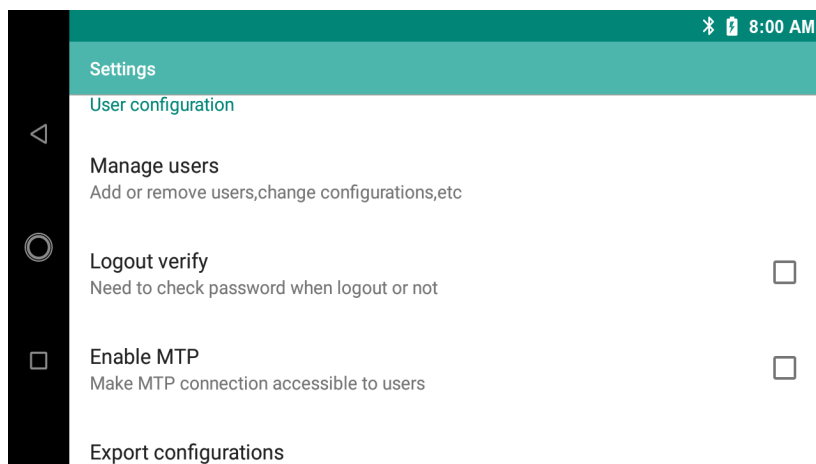
You may choose to change the username and password after logging in for security reasons.

How to Use

1. Tap on the menu icon  located in the top right-hand corner of the AppLock-screen.




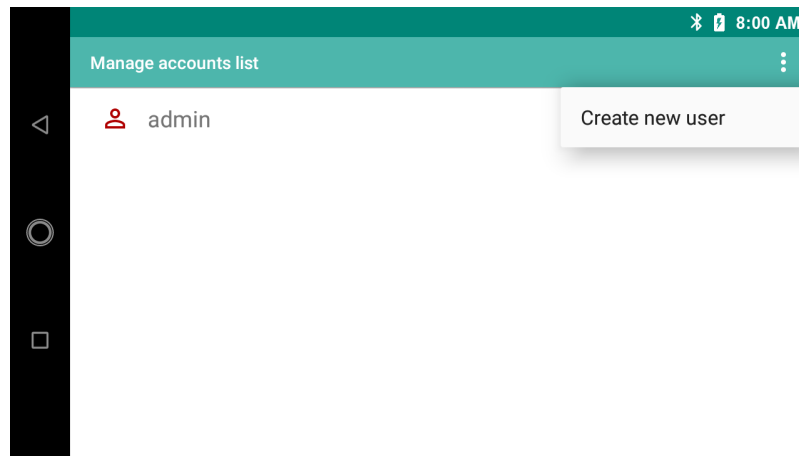
- a. **Log Out:** Tap to return to login page to switch user account.
 - b. **Settings:** Tap to access user configuration.
 - c. **About:** Tap to check description of the software function.
2. Tap **Settings**. Upon accessing the administrator's **Settings** function, the user can view and edit **User Configuration** and **Other Actions**.



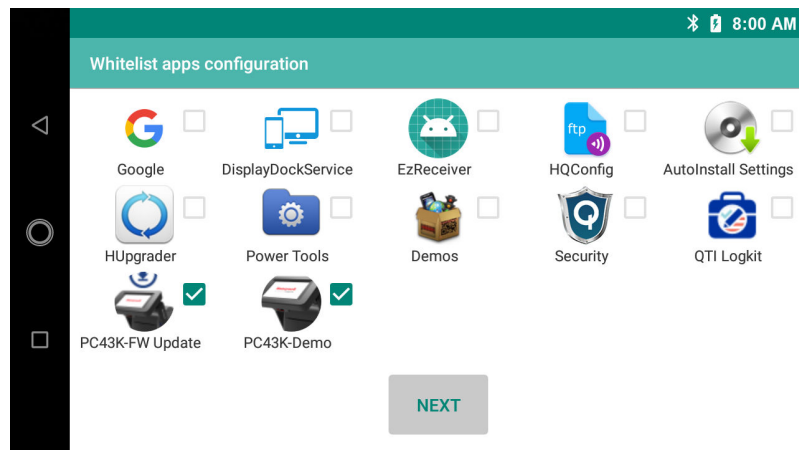
- a. The *User configuration* settings are,
 - **Manage users:** Create new user, edit and manage users.
 - **Logout verify:** Enable verified logout.
 - **Enable MTP:** Enable for media file transfer.
 - **Export configurations:** Exports user account configuration information in .json file (Downloads > IPISM Card > Honeywell > applock). Copy the .json file to other devices to export configuration.

Note: To view and copy the .json file, you may need to turn on Provisioning mode. To learn how to turn on Provisioning mode, refer to ScanPal EDA71 User Guide.

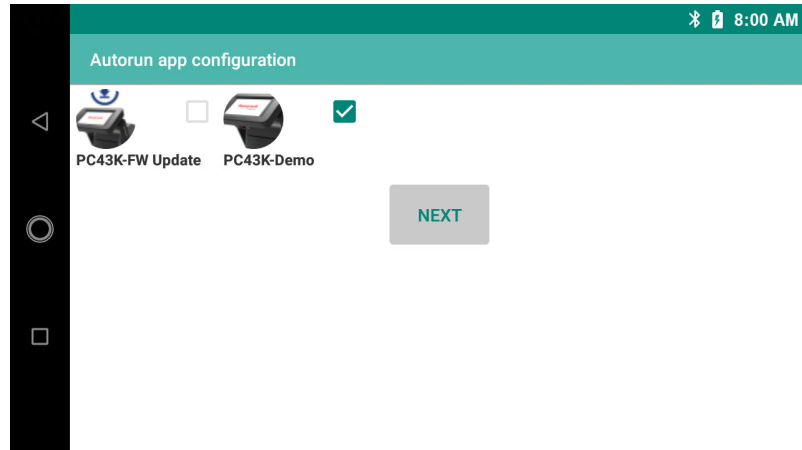
- b. The *Other actions* settings are,
 - **Scan deploy:** Scan the exported barcode for rapid configuration.
 - **Edit about information:** Edit app lock application details.
 - **Check update:** Check the current version of the application.
 - **AppLock switch:** Turn off to disable App lock application.
3. To create and edit new user, tap **Manage users**. A **Manage accounts list** page is displayed.
 - a. Tap on the menu icon  and tap **Create New User**.



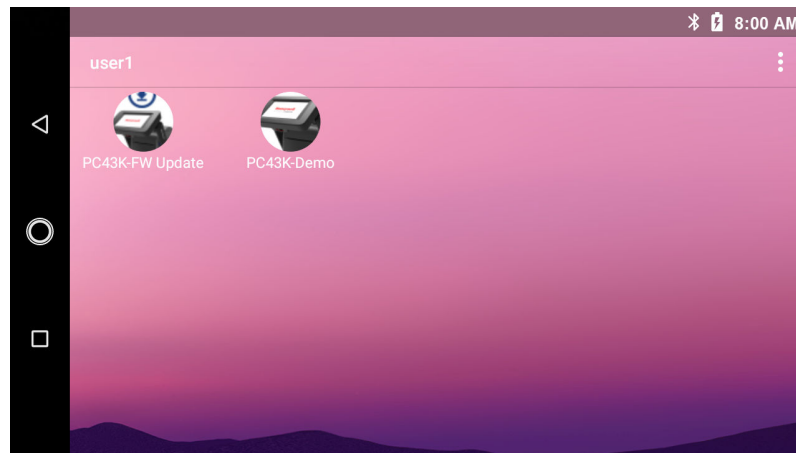
- b. Create new user by entering the username and password in the Account register page and tap **Next**.
- c. A pop-up is displayed that a new account has been added successfully. Tap **OK**. Upon successful addition of a user, a **Whitelist apps configuration** page is displayed.
- d. All the available apps are displayed with a checkbox, select the application that must be accessible for the new user and tap **Next**.



- e. Select the application for automatic launch by tapping on the checkbox in the **Autorun app configuration** page and tap **Next**.

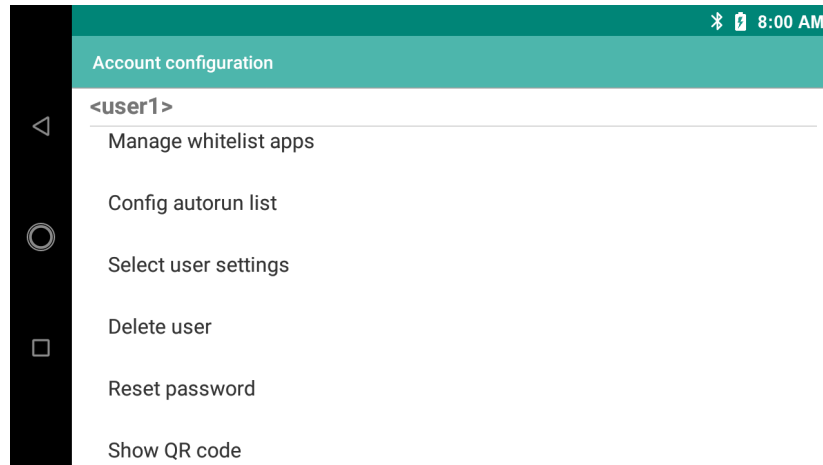


- f. You may choose the user settings in the **Select user settings** page and tap **Finish**.



- g. At this point, the user will remain in the administrator's account and may continue to add other new accounts.
4. Access **Manage users** to view the list of accounts currently entered in the device.


- a. Tap on any account to display its account configuration.



- **Manage whitelist apps:** Revise the White List in the account.
 - **Configure autorun list:** Change the account's automatic launch function.
 - **Select user settings:** Choose required user settings.
 - **Delete user:** Delete user's account.
 - **Reset password:** Change the password for the user's account.
 - **Show QR code:** Display and save QR code for each user account configuration information to local file for scanning and configuration.
5. Tap **Logout** to come out of the administrator's account.
6. Enter user details to log in to the user account.
7. To disable Honeywell App Lock,
- a. Logout from the user account and login to administrator's account.
 - b. Go to **Settings** and turn off the AppLock switch. Tap **OK**.

Change Account Password

To change the password,

1. Tap on the menu icon  located in the top right-hand corner of the AppLock-screen.
2. Tap **Settings** > **Manage users** > **admin** (user account name) > **Reset password**
3. Enter the old and new password in the field provided.
4. Tap **Done**.

Note: *It is recommended to change the admin username and password after logging in for the first time.*

Android Applock Security Warning

It is important not to re-configure the Android KeyRemap setting to open an application that is not intended to be able to run when in the Kiosk mode, as this will not be blocked by Applock.

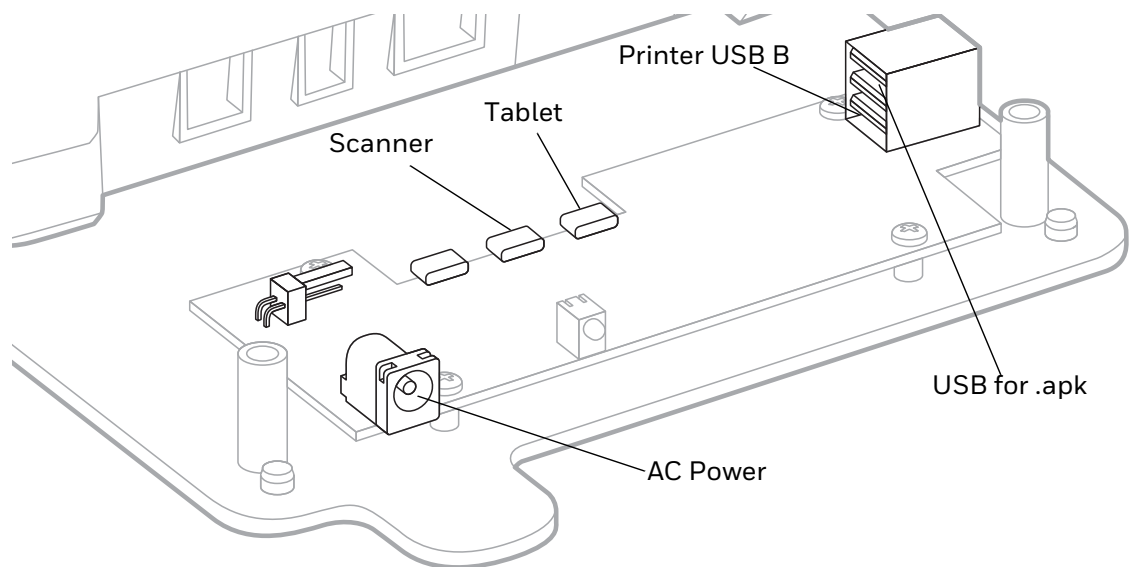
This is a known limitation with certain Android OS releases, and for security assurance on the Koisk, it is strongly recommended not to use the KeyRemap setting. Prior to deployment with Applock enabled, ensure the whitelist is set accordingly, and that KeyRemap is not set to open any unintended application.

USB CONNECTIVITY

This chapter details how to access the USB hub of the kiosk and install customized applications.

Connectivity

The USB hub of the kiosk is where the tablet, printer, and scanner are integrated together. It also houses the USB port for uploading customized applications.



The ports and connections of the kiosk are as follows:

- The power connector from the printer is connected to the **Printer Power** of the USB hub.
- The **USB Type B** connector from the printer is connected to the **USB port** of the USB Hub.
- The tablet is connected to the **micro USB port** of the USB hub.
- The scanner unit is connected to the **micro USB port** of the USB hub.

For additional printer configuration, you can connect the printer to a desktop PC.

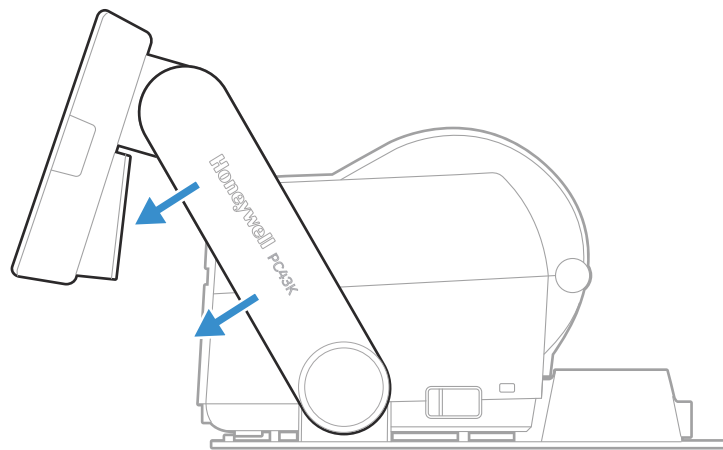
Note: You must install InterDriver to use a USB connection on a Windows PC.

Installing Customized Applications

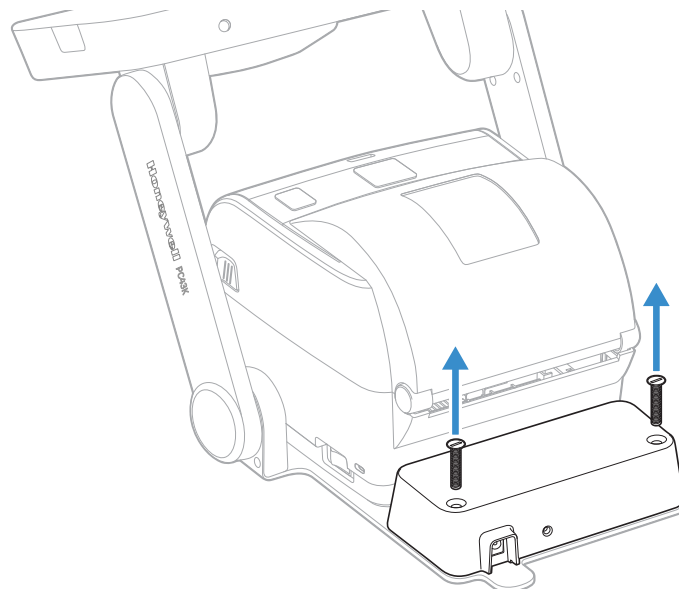
You can upload any customized application to the tablet using a USB thumb drive. The customized application must be designed to suit the Android environment and the file must be in .apk format.

Copy the customized application to a USB thumb drive, and:

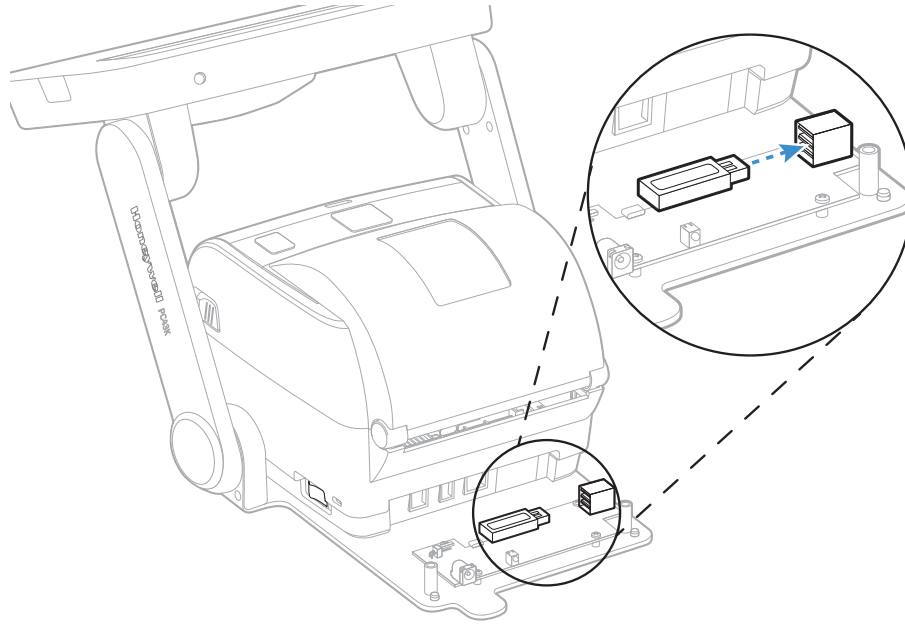
1. Pull the kiosk swing arms forward.



2. Remove the USB hub casing.

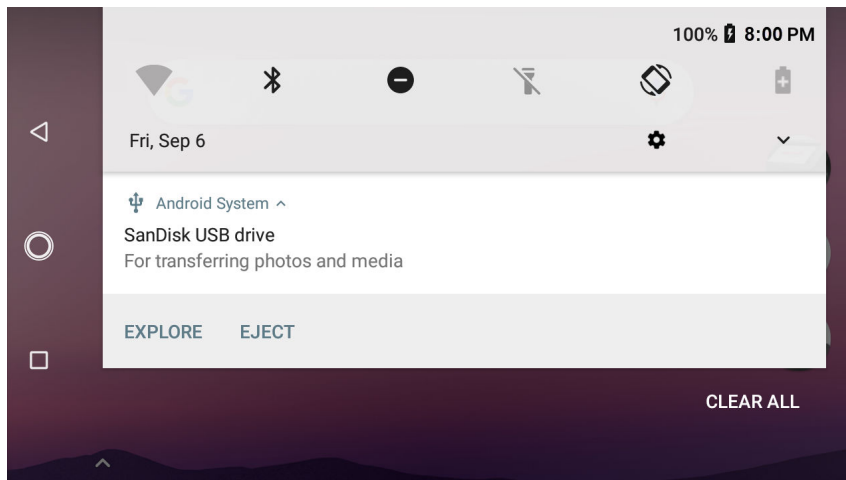


3. Connect the USB thumb drive in the top USB port.



Caution: Users are advised to perform this operation carefully to avoid any damages to the USB hub.

4. A USB icon will be displayed on top of the home screen. Drag the icon downwards and tap on the USB name.



5. The folder will display the files available in the USB thumb drive.
6. Tap on the **.apk** file from the folder.
7. Tap **Install** on the bottom right-hand corner of the screen.
8. Tap **Done** when prompted.
9. The customized application icon will appear on the home screen.

Deleting Customized Applications

You can delete any uploaded customized application by accessing the application folder in the tablet.

1. Tap **Settings > Apps & notifications**. It will display a list of applications in the kiosk.
2. Tap on the application that needs to be removed. Tap **Uninstall**.
3. Tap **OK**, to confirm uninstall.
4. The application is removed from the kiosk.

Error Alerts and Solutions

Use this table to understand and troubleshoot some common error alerts you may receive and how to fix them.

Error Alert	Solution
Printhead Lifted	Lower the printhead.
Out of Media	Load media in the printer.
Media Low	The diameter of the remaining roll of media is lower than the specified value in the Media Low Diameter setting. Replace the media.
Label Stop Sensor (LSS) detects no label	Load media in printer.
PC43K-FW Update isn't responding	To close the app and start again, tap Close App , or tap Wait .
There is no connected USB device	Try these possible solutions in order. <ul style="list-style-type: none"> The AC power connection to the kiosk might be loose or removed. Check for loose connection. Make sure the printer switch is turned on.

Note: For printer and tablet related troubleshooting procedures, refer to the *PC43d User Guide* and *ScanPal EDA71 User Guide*, respectively.

Troubleshoot Kiosk Problems and Find Solutions

Use this section to find possible solutions to kiosk problems.

Kiosk Problems

Problems	Solution
Touch panel not responding	Try these possible solutions in order. <ul style="list-style-type: none">• Make sure the touch panel is clean and dirt free. Clean with a soft cloth and try again.• Restart the tablet by long pressing the tablet power button, tap Restart.
Application is not responding	Tap recent apps button, tap Close All . Re-open app.
Unable to connect to Wi-Fi	Turn on the airplane mode in the tablet for a few seconds and turn off and try connecting to Wi-Fi again.
Screen not rotating during tablet rotation	Try these possible solutions in order. <ul style="list-style-type: none">• Reboot the tablet.• The screen rotation might be turned off. Turn on and try again. Settings > Display > Advanced > Auto-rotate screen > tap to turn on.• If the screen rotation is on, try turning it off and then on again.
Printer not calibrating after closing the printer lid	Try these possible solutions in order. <ul style="list-style-type: none">• The media may be stuck between the platen roller and tip guide. Remove the media and set-up appropriately.• The power connection to the kiosk might be loose or turned off, check and try again.
The printer does not feed media correctly	Remove the media from the media compartment and reinstall the media.
There are dark lines along the media path	The printhead might be dirty. Clean the Printhead and try again.
The media wrinkles	The media might not be set-up appropriately. Remove the media and set-up appropriately.
USB thumb drive not detected	Pull out the USB thumb drive and re-insert.
Failed scan	Try these possible solutions in order. <ul style="list-style-type: none">• The scanner may not have detected the barcode. Aim the code to the scanner LED and scan again.• The barcode might not be supported by the scan engine. Check the supported barcode.• Make sure the barcode size is supported by the scan engine.

Note: Users are refrained from upgrading the kiosk to a lower version of current Android software.

Kiosk Default Settings

The kiosk is shipped with default settings which suit the demo application in the kiosk. To learn how to change these settings for the customized application, refer to the PC43d User Guide and the ScanPal EDA71 User Guide, respectively.

Disabled Features

The kiosk is integrated with the PC43d printer, ScanPal EDA71 tablet, and N3680 scan engine. Not all the features of the integrated devices are enabled in the PC43K.

The following lists the disabled features of the PC43d printer.

- Ethernet Connection
- LCD/Icon interface

The following lists the disabled features of the tablet.

- Internal Scanner
- Camera feature
- Phone feature (for example, calls, messages, etc.)
- Sim Card access
- Micro SD

This section details the procedure to be followed for maintaining the kiosk.

Clean the Kiosk

To properly maintain the kiosk, you should clean it regularly. You can clean these parts of the kiosk:

- Touch panel and scanner window
- Printhead
- Platen roller
- Exterior of kiosk



Caution: To avoid possible injury or damage to the kiosk, never insert any pointed or sharp objects into the kiosk.



Caution: Use only the cleaning agents specified in this section. Honeywell is not responsible for damage caused by any other cleaning materials used on this kiosk.



Caution: Isopropyl alcohol is a highly flammable, moderately toxic, and mildly irritating substance.



Warning: Disconnect the power cord from the socket-outlet before installing user service parts in the kiosk.



Warning: The printer in the kiosk contains a coin cell battery and is NOT user-replaceable. Keep children away from the kiosk when the kiosk is in service.

Follow these guidelines for cleaning the kiosk:

- Always remove the power cord before cleaning.
- Never spray the kiosk with water. Protect it from water when cleaning the premises.

Clean the Touch Panel and Scanner Window

To keep the kiosk touch panel and scanning window in good condition, you may need to clean them as often as needed. The touch panel and scanner window withstands application of the following cleaning agents when applied to a clean soft cloth and removed immediately with a dry soft cloth.

- Acetic acid, 10% in water
- Ethyl alcohol, 10% in water
- Mild soap solutions

To clean,

1. Turn off the printer switch, remove the power cables.
2. Press and hold the tablet power button, tap **Power off**.

Note: *Make sure that the cleaning solutions do not come in contact with power cables.*

3. Dip a clean cloth towel in the cleaning agent and wring out the excess.
4. Wipe off the touch panel and scanner window. Do not allow any abrasive material to touch these surfaces.
5. Wipe dry.
6. Let it air dry completely before using the kiosk again.

Clean the Printhead

Cleaning the printhead on a regular basis is important for the life of the printhead and for the print quality. Clean the printhead each time you replace the media. Follow this procedure to clean the printhead using the cleaning card. If you need to clean additional residue from the platen roller or tear bar, use a cotton swab moistened with isopropyl alcohol.



Caution: Never use any sharp tools for removing stuck labels. The printhead and rollers are delicate.



Warning: The printhead/motor may be hot. Allow the printhead/motor to cool.

1. Turn the kiosk off and disconnect the kiosk from power.
2. Open the printer lid and remove the media.
3. Insert most of the cleaning card under the printhead, and then lower the printhead.

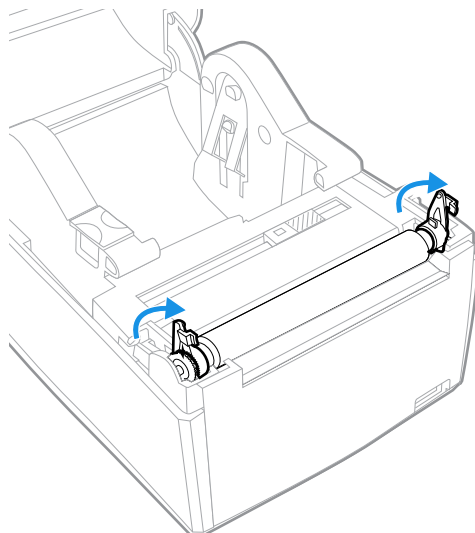
4. Pull out the cleaning card and raise the printhead.
5. Wait for approximately 30 seconds to allow the cleaning fluid to dissolve the residue.
6. Repeat steps 3 through 5 if necessary.
7. If necessary, clean residue from the platen roller or tear bar with a cotton swab moistened with isopropyl alcohol.
8. Once the parts are dry, replace the media in the printer. Close the printer lid, reconnect, and turn on the kiosk.

The printhead can be replaced with a new one if it wears out due to continuous print operation. Make sure to restart the kiosk after replacing with the new printhead. For more information on how to replace the printhead, refer to PC43d User guide.

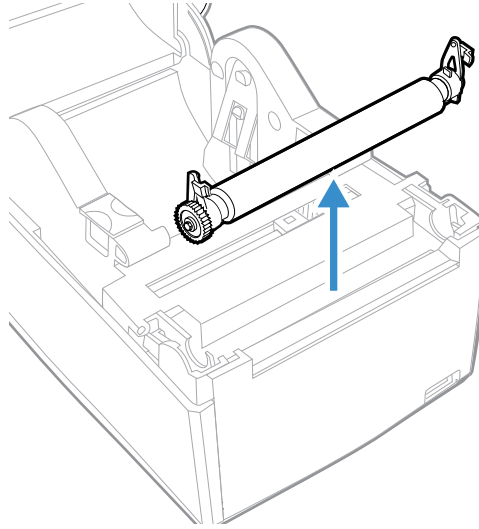
Clean the Platen Roller

Follow this procedure to remove, clean, and replace the platen roller as part of standard maintenance for the kiosk. Honeywell recommends that you check the platen roller for debris and clean it each time you replace the media.

1. Turn the kiosk off and disconnect the kiosk from power.
2. Push the swing arms to the rear of the kiosk.
3. Pull one or both of the printer latches, pull the swing arms forward and lift the printer lid.
4. Remove the installed media.
5. Press the roller latches apart and tilt them up.



6. Pull the latches up to remove the platen roller from the printer.



7. Remove any adhesive residue from the roller with a cotton swab moistened with isopropyl alcohol.
8. Reverse Steps 5 and 6 to install the roller.
9. Press the latches onto the printer until they snap into place.
10. Replace the media in the printer.
11. Close the printer lid until it snaps shut.

Clean the Exterior of the Kiosk

Keep the exterior of the kiosk clean. Maintaining a clean exterior will reduce the risk of dust or foreign particles reaching the inside of the kiosk and affecting printer function.

Move the arm of the kiosk to clean in between the gaps.

Use a soft cloth moistened with water or a mild detergent when cleaning the kiosk exterior. Keep the surface surrounding the kiosk clean as well.

Kiosk Specification

1. Go to www.honeywellaidc.com
2. Navigate to the PC43K product page.
3. Locate **Products** tab.
4. Click on your kiosk model.
5. Select one of the following tabs:
 - **Specifications:** Kiosk specifications are listed here.
 - **Documents:** Download the Data Sheet, Quick Start Guide, User Guide, Regulatory Information, and other product documentation.

Printer Supported Command Languages

- Autosense
- Fingerprint
- Direct Protocol (DP)
- Intermec Printer Language (IPL)
- Datamax Printer Language (DPL)
- Zebra Simulator (ZSim)

Media Sensors

- Label stop sensor
- Cover Open
- Label taken (on cutter and label dispenser accessories)

For fonts, supported font types, barcode symbologies, and graphic file types of the printer refer to the PC43d User Guide.

Scanner Specifications

For mechanical, electrical, environmental, and performance related specifications of the scanner, refer to the N3680 2D Scan Engine datasheet.

Supported Symbologies

The scanner supports the following symbologies:

1D Symbologies	2D Symbologies	Postal Codes
Codabar	Aztec Code	Australian Post
Code 11	Chinese Sensible (Han Xin) Code	British Post
Code 128	Codablock A	Canadian Post
Code 2 of 5	Codablock F	China Post
Code 39	Data Matrix	Japanese Post
Code 93 and 93i	MaxiCode	Korea Post
EAN/JAN-13	MicroPDF417	Netherlands Post
EAN/JAN-8	PDF417	Planet Code
IATA Code 2 of 5	QR Code	Postnet
Interleaved 2 of 5		
Matrix 2 of 5		
MSI		
GS1 DataBar		
UPC-A		
UPC-E		
UPC-A/EAN-13 with Extended Coupon Code		
Coupon GS1 Code 32 (PARAF)		
EAN-UCC Emulation		

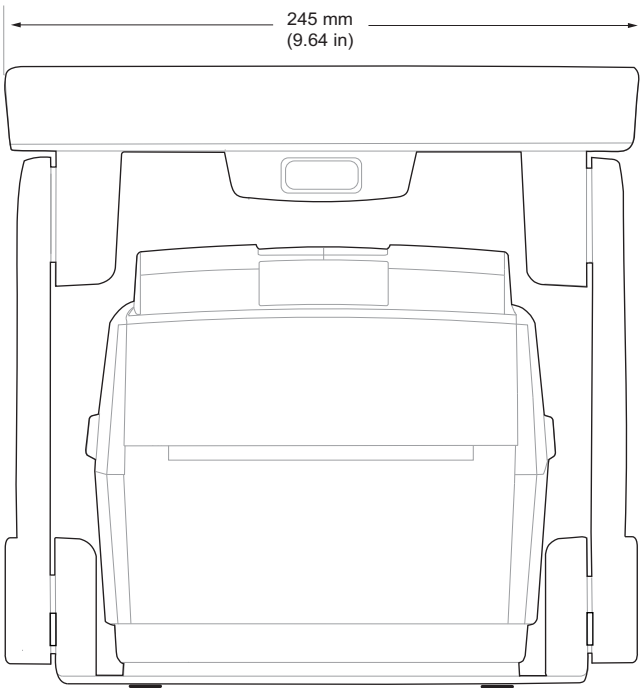
N3680 Scan Engine Reading Distances

The reading distances for different symbologies are,

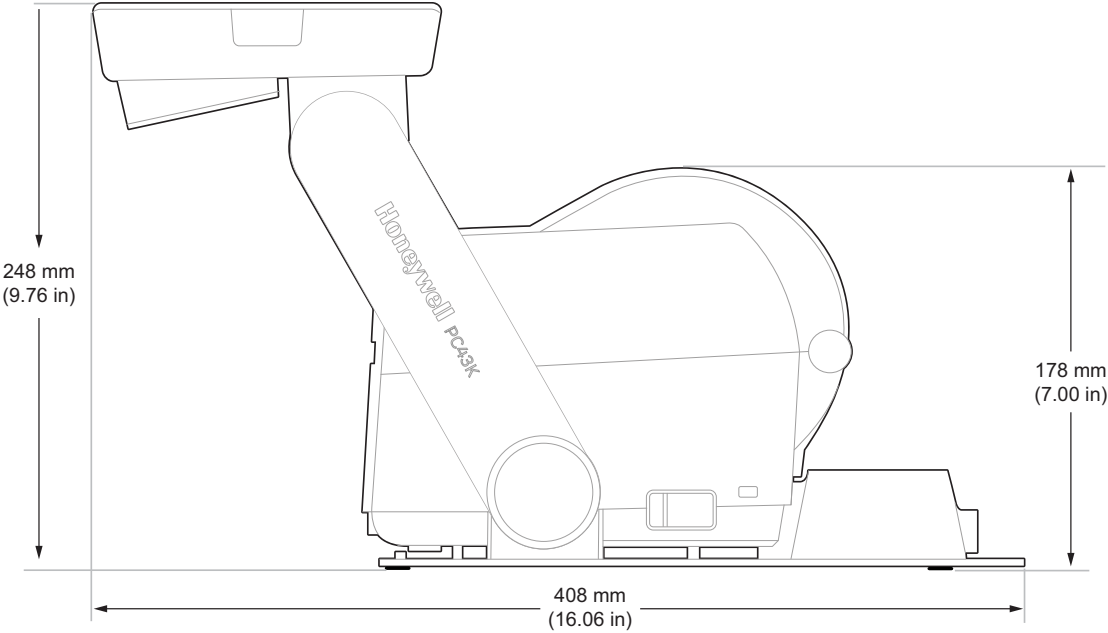
Symbology	Near Distance (cm [in])	Far Distance (cm [in])	Delta (cm [in])
100% UPC	5.5 [2.1]	28.0 [11.0]	22.5 [8.9]
5 MIL CODE 39	6.1 [2.4]	13.0 [5.1]	6.9 [2.7]
20 MIL CODE 3	6.0 [2.4]	38.0 [15.0]	32.0 [12.6]
6.7 MIL PDF417	6.0 [2.4]	12.5 [4.9]	6.5 [2.5]
10 MIL DATA MATRIX	6.0 [2.4]	13.0 [5.1]	7.0 [2.7]
20 MIL QR	5.0 [2.0]	23.0 [9.0]	18.0 [7.0]

Dimension Illustration

PC43K Width



PC43K Length and Height



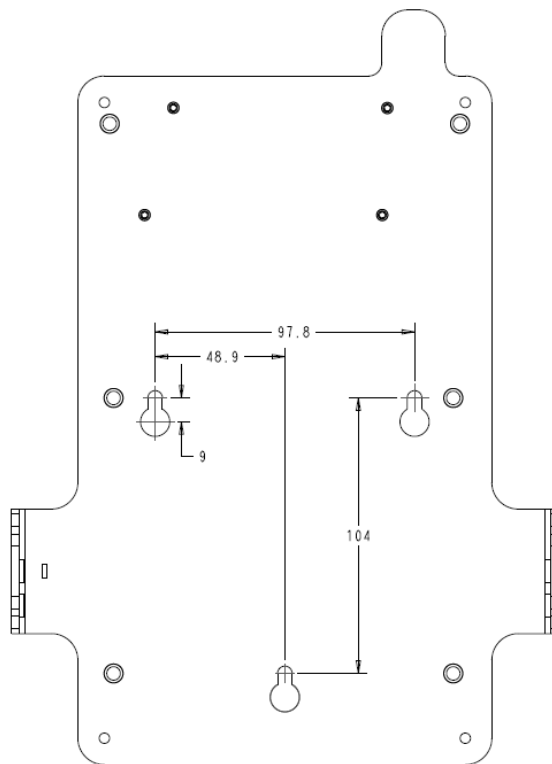
Wall Mount Bracket

You can mount the kiosk vertically on a wall or other surface. The kiosk must be mounted so the media output slot faces down. Use the following guideline for selecting a mounting location:

- Choose a location within 1.5m (5ft) of an electrical outlet.
- Choose M5 mounting hardware (not supplied) for the mounting surface.
- The mounting hardware must provide at least 7mm (0.275 in) of clearance between the mounting surface and the bottom of the screw head. The screw head must be 6 to 8mm (0.24 in to 0.33 in).
- Honeywell recommends using pan-head or flathead screws with appropriate anchors for drywall, cement, concrete block, or plasterboard walls. Use wood screws only for wooden surfaces, and ensure the screw is long enough to be sunk to a depth of at least 15mm (0.59 in).



Caution: Be sure the mounting surface can safely support the weight of the kiosk.



Refer to the wall mount template and drill holes on the mounting surface.

1. Install the mounting hardware. If you need to use anchors, use them first.
2. Place the kiosk mounting holes on the mounting hardware and slide the kiosk to lock it in place.

Honeywell
9680 Old Bailes Road
Fort Mill, SC 29707

www.honeywellaidc.com