

**Honeywell**

# Front Panel Replacement

for Thor VM3 and Thor VM3A

Field Installation Instructions

---

**User Guide**

---

# Disclaimer

Honeywell International Inc. (“HII”) reserves the right to make changes in specifications and other information contained in this document without prior notice, and the reader should in all cases consult HII to determine whether any such changes have been made. The information in this publication does not represent a commitment on the part of HII.

HII shall not be liable for technical or editorial errors or omissions contained herein; nor for incidental or consequential damages resulting from the furnishing, performance, or use of this material. HII disclaims all responsibility for the selection and use of software and/or hardware to achieve intended results.

This document contains proprietary information that is protected by copyright. All rights are reserved. No part of this document may be photocopied, reproduced, or translated into another language without the prior written consent of HII.

Copyright © 2020 Honeywell International Inc. All rights reserved.

Web Address: [www.honeywellaidc.com](http://www.honeywellaidc.com)

Other product names or marks mentioned in this document may be trademarks or registered trademarks of other companies and are the property of their respective owners.

For patent information, refer to [www.hsmpats.com](http://www.hsmpats.com).

# Customer Support

## Technical Assistance

To search our knowledge base for a solution or to log in to the Technical Support portal and report a problem, go to [www.hsmcontactsupport.com](http://www.hsmcontactsupport.com).

For our latest contact information, see [www.honeywellaidc.com/locations](http://www.honeywellaidc.com/locations).

## Product Service and Repair

Honeywell International Inc. provides service for all of its products through service centers throughout the world. To obtain warranty or non-warranty service, return your product to Honeywell (postage paid) with a copy of the dated purchase record. To learn more, go to [www.honeywellaidc.com](http://www.honeywellaidc.com) and select **Service & Repair** at the bottom of the page.

For ongoing and future product quality improvement initiatives, the terminal comes equipped with an embedded device lifetime counter function. Honeywell may use the lifetime counter data for future statistical reliability analysis as well as ongoing quality, repair and service purposes.

## Limited Warranty

For warranty information, go to [www.honeywellaidc.com](http://www.honeywellaidc.com) and click **Resources > Product Warranty**.



# THOR VM3/VM3A FIELD REPLACEABLE FRONT PANEL

The front panel of the Thor VM3/VM3A is field replaceable and contains the keyboard and touch screen. Should either of these components fail, the front assembly can easily be replaced to minimize downtime. The replacement front panel is available in several configurations.

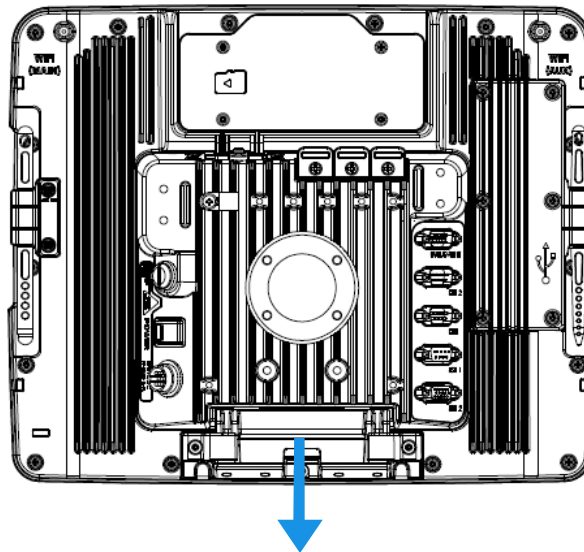
**Note:** *The resistive and PCAP touch screens each use a unique stylus. If switching between touch screen types, be sure to swap the stylus as well.*

Requirements - User Supplied:

- Torquing tool capable of measuring inch pounds
- #2 Phillips screwdriver bit

## Replacing the Front Panel

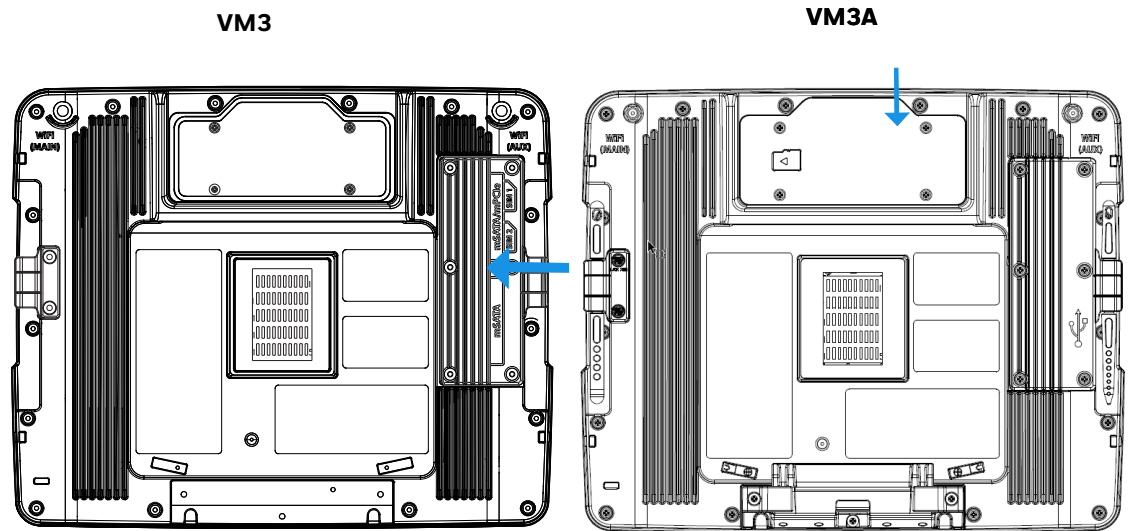
1. Power off the device
2. Remove the device from the Quick Mount Smart Dock by pulling down on the red quick release handle, lifting the bottom of the computer away from the dock, and lifting the device up and away from the dock.



3. Place the computer face down on a clean, well-lit, and stable surface.

**Note:** *VM3A depicted in illustration above*

4. Use a #2 Phillips bit to loosen the captive M3 screws on the access panel.

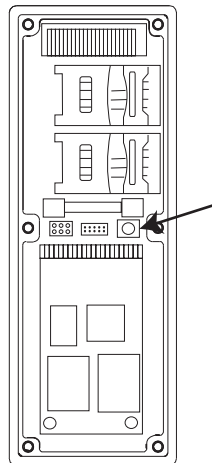


5. Remove the access panel from the opening and press the UPS Battery disconnect button.

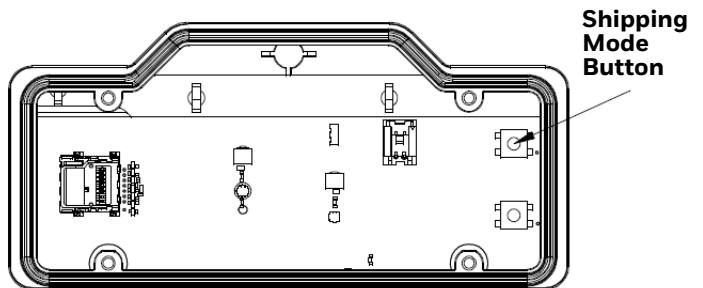


**Caution: Do not push the PM\_RESIN\_N button.**

VM3

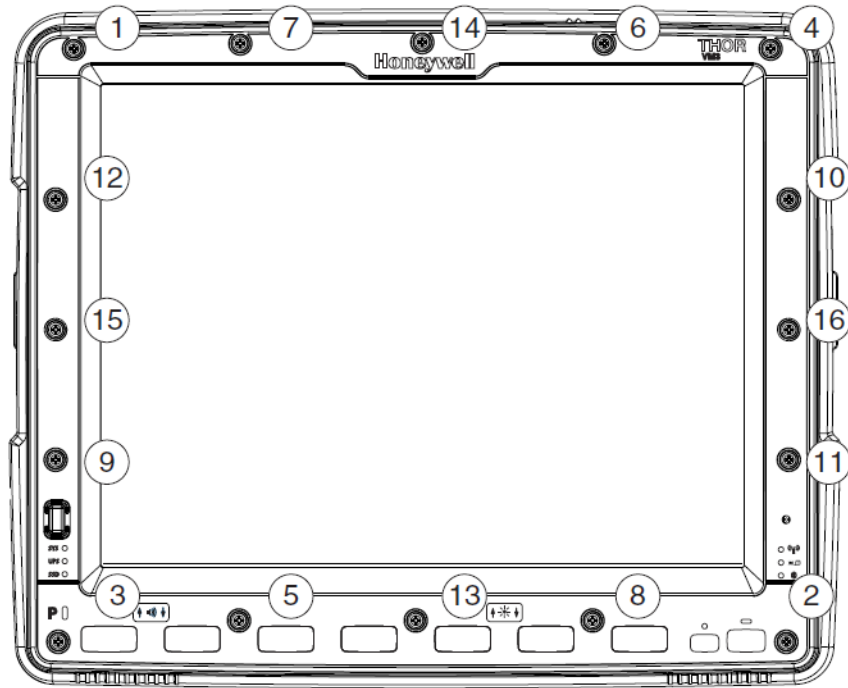


VM3A

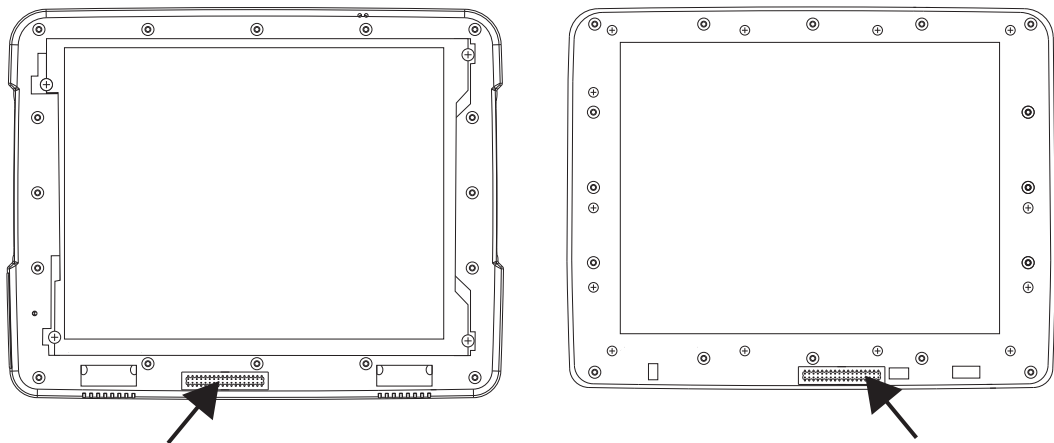


6. Reinstall the access panel cover and torque the M3 screws to  $7.0 \pm 0.5$  inch pounds using a #2 Phillips bit.
7. Turn the computer face up.

- Use a #2 Phillips bit to loosen the 16 captive M3 screws that hold on the front panel.



- Carefully lift the front panel away from the device.
- Position the replacement front panel so the wiring connector on the back of the front panel lines up with the wiring connector on the computer.



- Gently press the front panel into place. Ensure there are no gaps between the front of the panel and the computer.
- Tighten the 16 captive M3 screws in the order shown in the figure for Step 8 above. Use a #2 Phillips bit and torque the screws to  $7.0 \pm 0.5$  inch pounds.

13. Reinstall the computer in the dock, the UPS battery will reconnect automatically.
14. Press the **Power** button on the front of the device.
15. If adding or removing a defroster, it is very important to wait a few moments after powering on the device for the computer to detect the defroster. Once detected, you can update the configuration:
  - For the VM3: select **Start > Settings > Control Panel > Peripherals** and tap the **Test** button
  - For the VM3A: select **Settings > Defroster**, modify the defroster parameters, then tap **Update** to apply the changes and tap **OK**.
16. Close any open control Panel windows.
17. The computer is ready to use.





Honeywell  
9680 Old Bailes Road  
Fort Mill, SC 29707

[www.honeywellaidc.com](http://www.honeywellaidc.com)