

ABOUT TIMES-7

Pushing the boundaries of RFID technology worldwide Times-7 are leaders in RFID antenna design and manufacture. Our patented award winning UHF antennas meet the needs of virtually any industry application; providing customers with fast accurate tracking of products, assets & people; empowering organizations to transform processes & reduce costs.

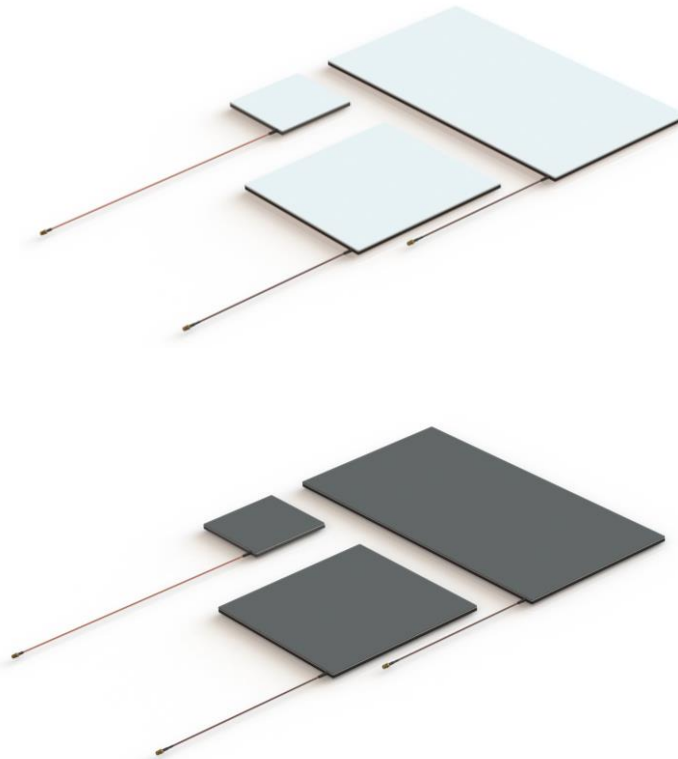
Our SlimLine range of antennas is unique in the RFID industry; offering high levels of performance & durability in an aesthetically superior form.

Proven in a diverse & growing range of markets, applications include: retail & customer interaction, conference & people tracking, race timing, baggage handling, and logistic & supply chain asset management.

Times-7 Research Ltd
29 Railway Avenue
Lower Hutt 5010
New Zealand

NEW ZEALAND
P: +64 4 974 6566

USA/CANADA
P: +1 408 769 5025



Offers *True* NearField read zones

Available in three different sizes from compact to very large

No surface dead zones

Black or white radome available

A1115, A1130 and A1163 *True* NearField antennas available in black and white.

The new *True* NearField Antenna Series is explicitly designed for applications, which require “near zone only” tag detection or involve metals, liquid and other challenging materials. With hardly any far-field components and no surface dead spots, the Times-7 *True* NearField antennas provide reliable tag reads within a very constricted read zone.

Thanks to the unique antenna design the *True* NearField antenna series offers three dimensions. From a compact 150 x 150 mm to a large 300 x 600 mm footprint. Furthermore, they are available in black or white.

All three antennas provide integrated mounting holes on the rear side, which can be drilled through for using mounting screws. In addition, each antenna is provided with an optional self-adhesive rubber feet kit to stop the antenna from slipping.

Specifications

Physical / Environmental Specifications

| | A1115 | A1130 | A1163 |
|---------------------------|---|---|---|
| Dimensions (L x W x D): | 150 mm x 150 mm x 8.6 mm 5.9" x 5.9" x 0.34" | 300 mm x 300 mm x 8.6 mm 11.8" x 11.8" x 0.34" | 600 mm x 300mm x 8.6mm 23.6" x 11.8" x 0.34" |
| Weight: | 0.2kg / 0.45 lbs | 0.6kg / 1.3 lbs | 1.1kg / 2.4 lbs |
| Radome Material: | Fire retardant ABS (available in black and white, see order information) | | |
| Environmental Rating: | IP54 | | |
| Operating Temperature: | 0° to +50°C / -30° to +50°C | | |
| Storage Temperature: | +32° to +122°F / -22° to +122°F | | |
| Mounting: | Integrated mounting holes on the backside of the antenna (refer to mechanical drawings) / Optional rubber feet included (20 x 20 x 1.45 mm) | | |
| Connector and cable type: | SMA female side fly lead (482mm, 19" / RG316 cable) | | |
| Cable strain relief: | Cable grommet included | | |

Electrical Specifications

| | A1115 | A1130 | A1163 |
|------------------------|--------------------------|-------|-------|
| Frequency Range: | 865-867 MHz, 902-928 MHz | | |
| VSWR | 1.95 typical | | |
| Nominal Impedance: | 50 Ω | | |
| Maximum Input Power: | 3 W | | |
| Antenna Detection | 10K Ω Resistance | | |
| Anti-static protection | DC Grounded | | |

Ordering Information

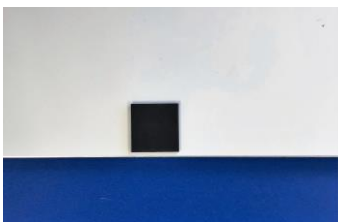
(please quote both product code & part no.)

| Product Code | Band | Part No. BLACK | Part No. WHITE |
|-------------------------|---------------------|-----------------------------|-------------------|
| A1115 | ETSI 865-867 MHz | 72027 | 72029 |
| A1115 | FCC 902-928 MHz | 72028 | 72030 |
| A1130 | ETSI 865-867 MHz | 72022 | 72025 |
| A1130 | FCC 902-928 MHz | 72023 | 72026 |
| A1163 | ETSI 865-867 MHz | 72031 | 72033 |
| A1163 | FCC 902-928 MHz | 72032 | 72034 |
| Cable Accessories | Cable Type | Part No. | |
| Cable 2 m, SMA to RPTNC | LMR 195 / 240 / 400 | 71436 / 71782 / 72042 | N/A |
| Cable 4 m, SMA to RPTNC | LMR 240 / 400 | 71784 / 72043 | N/A |
| Cable 6 m, SMA to RPTNC | LMR 240 / 400 | 71904 / 72044 | N/A |
| Cable 8 m, SMA to RPTNC | LMR 240 / 400 | 71788 / 72045 | N/A |

Mounting Information



Integrated mounting hole.

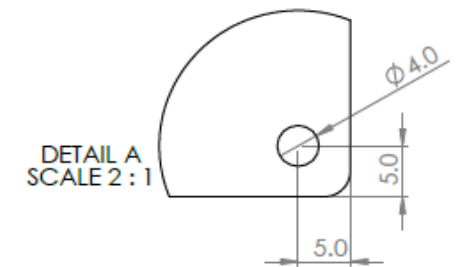
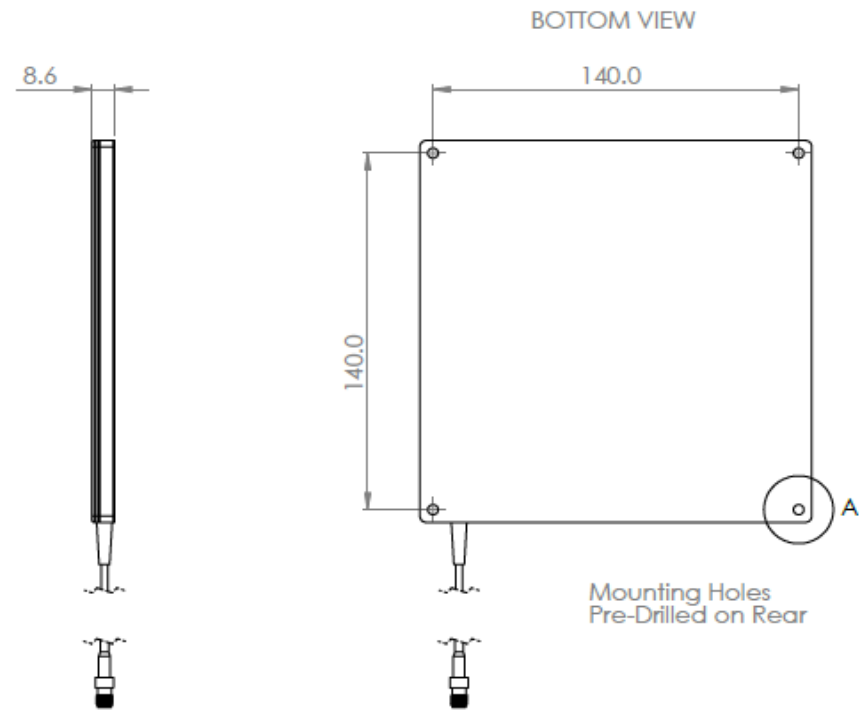
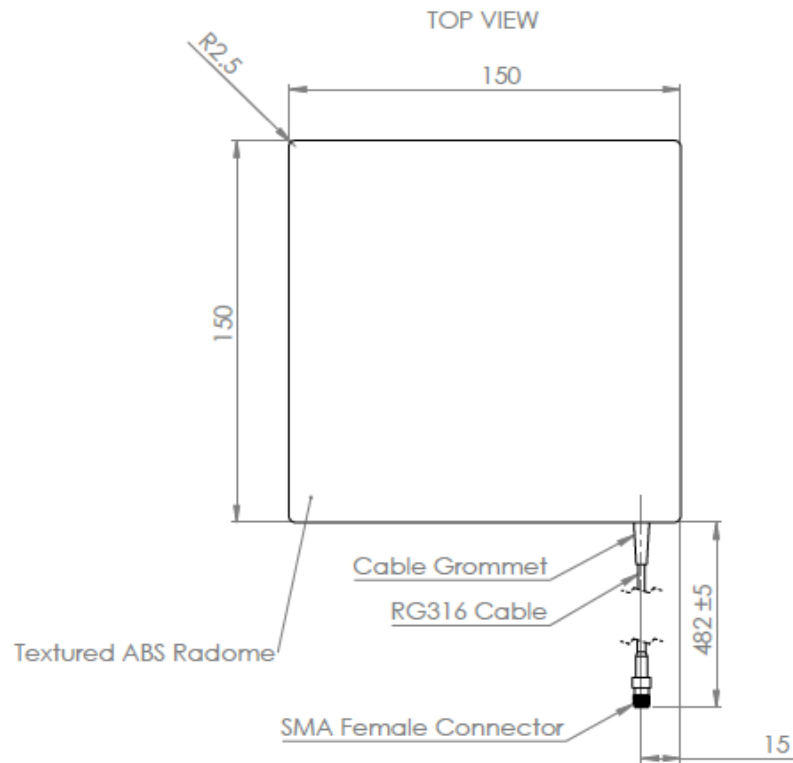


Self-adhesive rubber feet.

All models of the *True-NearField* antenna series can be flush mounted on flat surfaces using mounting screws. Each antenna provides mounting holes, which are only visible on the rear side of the antenna. Please refer to the mechanical drawings for the exact position.

These holes can be drilled through without damaging the product or interfering with the performance. For further assistance please go to our [mounting guide](#).

If drilling through the surface of the antenna is not an option, each antenna is provided with a self-adhesive rubber feet kit. These can be attached over the integrated mounting holes to stop the antenna from slipping.



| Part No. | Description |
|----------|----------------------------|
| 72027-FG | A1115 Antenna ETSI - BLACK |
| 72028-FG | A1115 Antenna FCC - BLACK |
| 72029-FG | A1115 Antenna ETSI - WHITE |
| 72030-FG | A1115 Antenna FCC - WHITE |

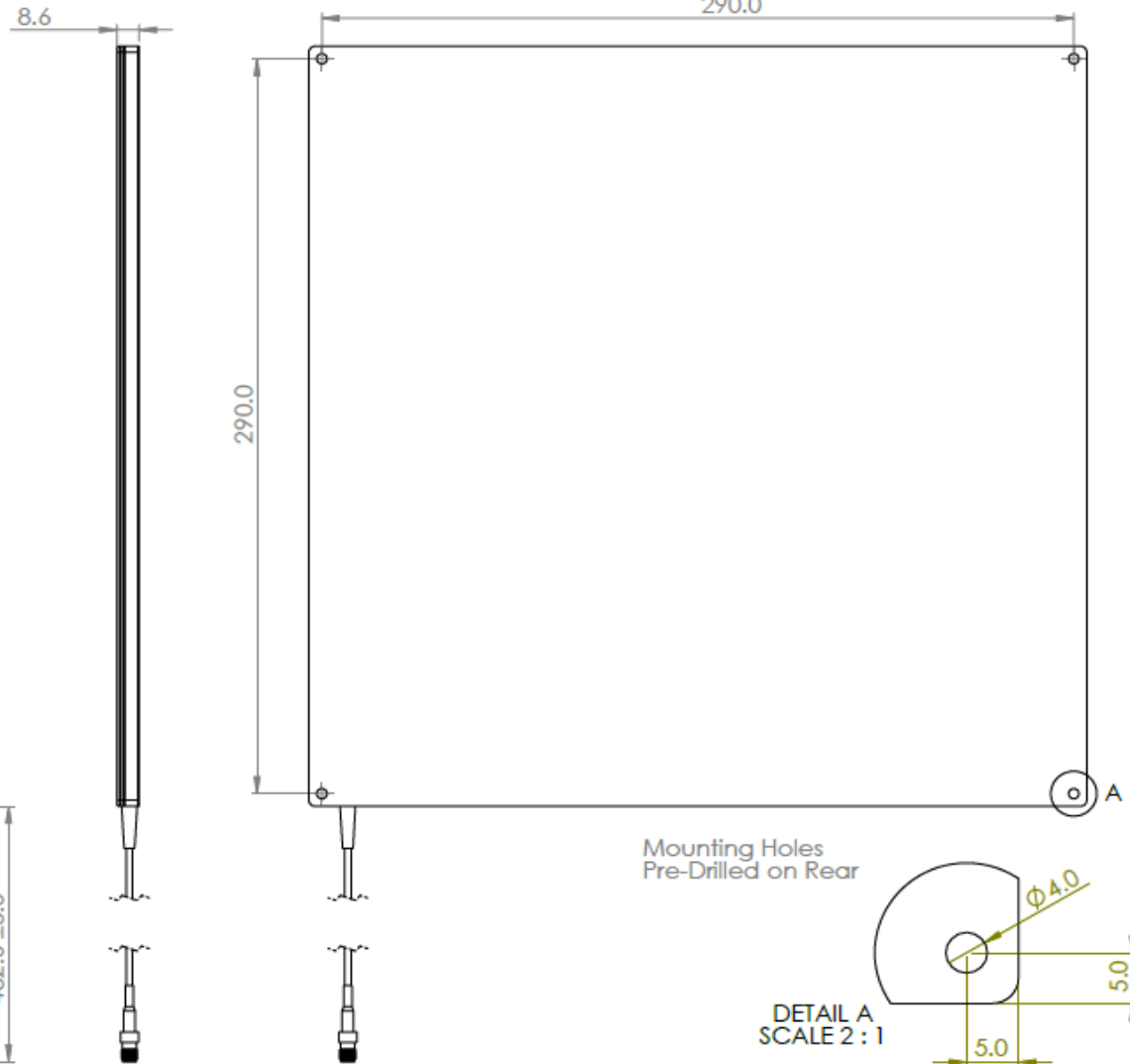
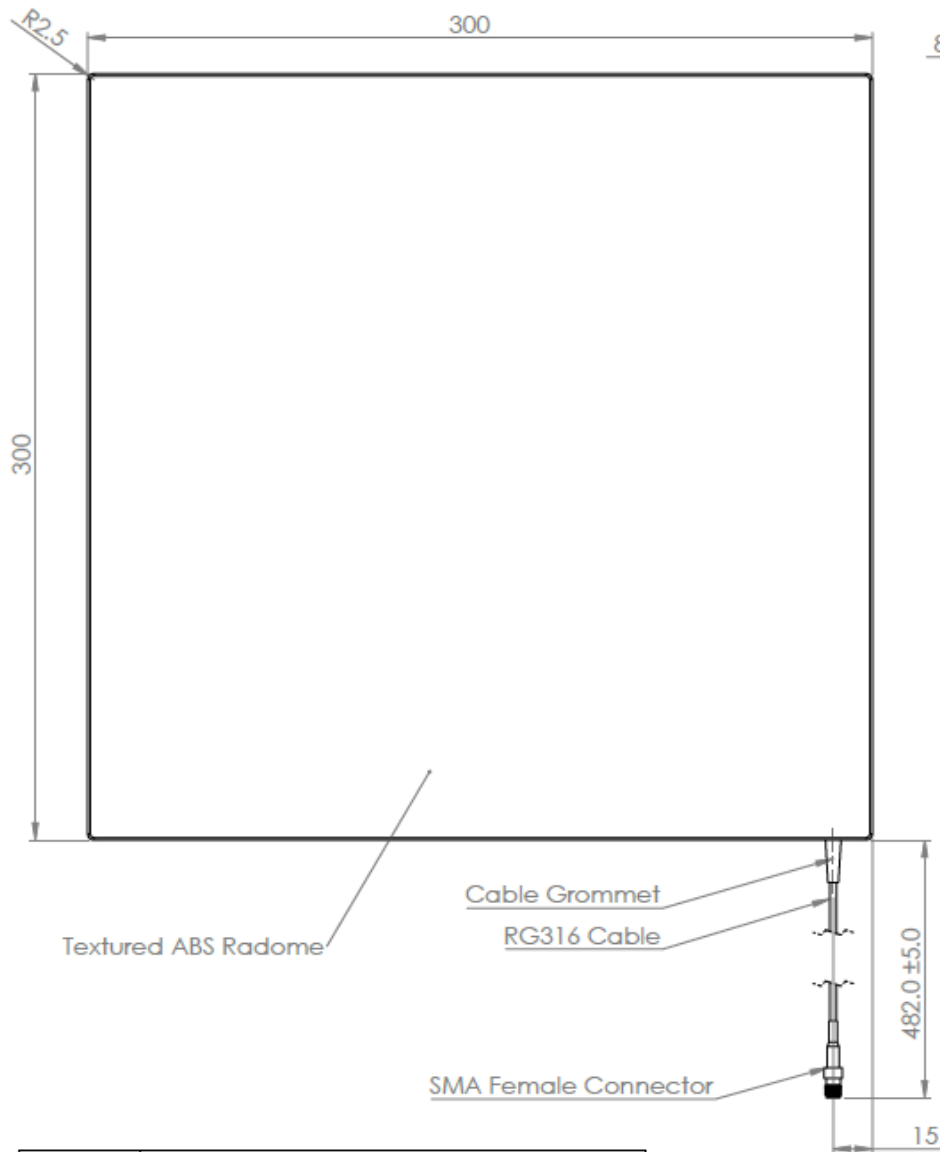
| | | | | | |
|---|--|--------------------|--------------------------|-----------------------|-----------------|
| <small>THE INFORMATION CONTAINED IN THIS DRAWING IS THE SOLE PROPERTY OF TIMES-7 LTD. ANY REPRODUCTION IN PART OR AS A WHOLE WITHOUT THE WRITTEN PERMISSION OF TIMES-7 IS PROHIBITED.</small> | <small>DIMENSIONS ARE IN mm UNLESS OTHERWISE SPECIFIED TOLERANCES: NO DECIMAL PLACES ± 1 ONE PLACE DECIMAL ± 0.5</small> | | DESCRIPTION | | |
| | | | A1115 Near Field Antenna | | |
| DRAWN C Wilson | SIGNATURE | DATE 28/03/2019 | SIZE A3 | PART NO. See Table | REV A |
| APPROVED R Lopez | SIGNATURE | DATE 01/04/2019 | DO NOT SCALE DRAWING | | SHEET 1 OF 1 |

Mechanical Drawing A1130



TOP VIEW

BOTTOM VIEW



| Part No. | Description |
|----------|----------------------------|
| 72022-FG | A1130 Antenna ETSI - BLACK |
| 72023-FG | A1130 Antenna FCC - BLACK |
| 72025-FG | A1130 Antenna ETSI - WHITE |
| 72026-FG | A1130 Antenna FCC - WHITE |

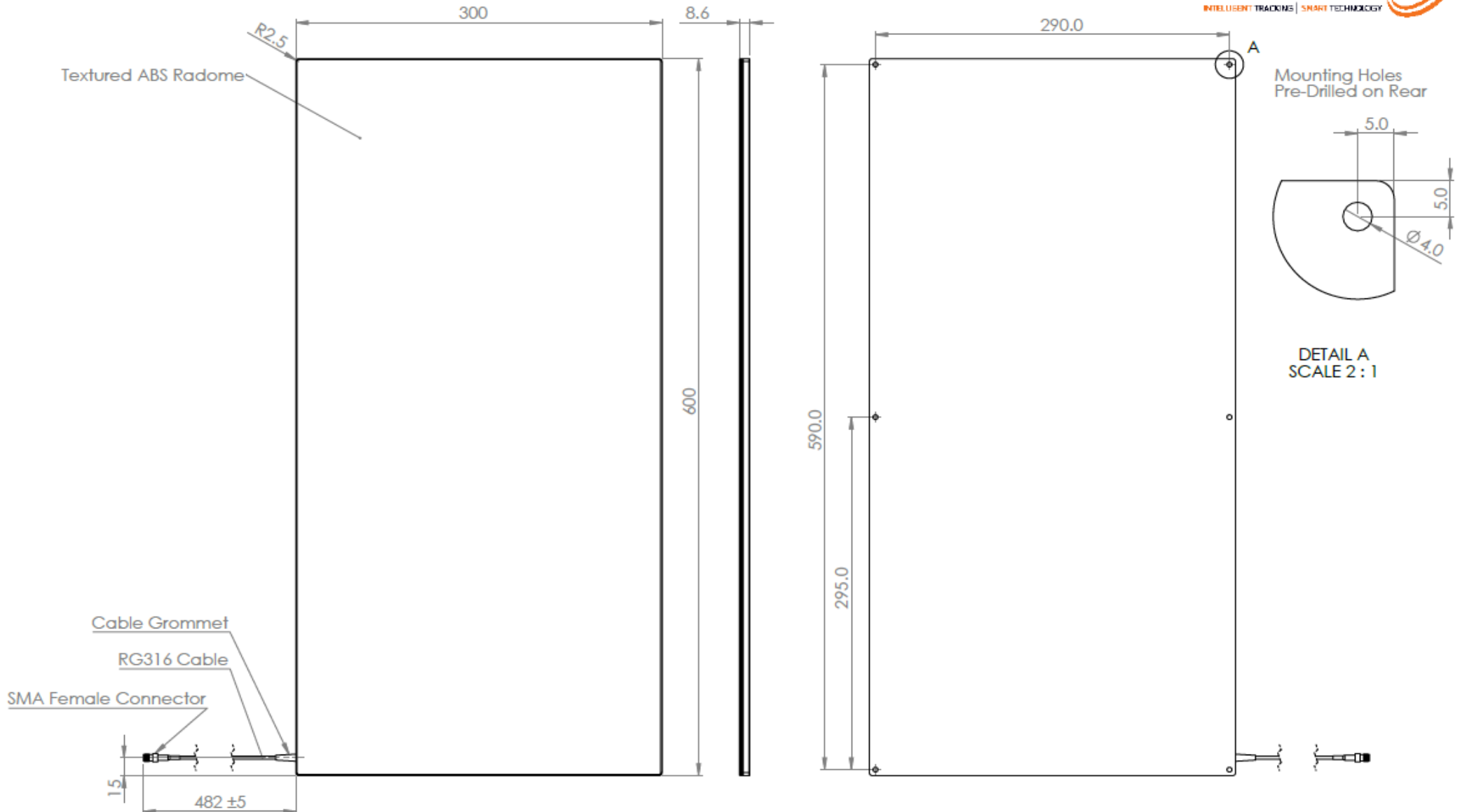
| | | | | | |
|---|---|--------------------|--------------------------|-----------------------|-----------------|
| <small>THE INFORMATION CONTAINED IN THIS DRAWING IS THE SOLE PROPERTY OF TIMES-7 LTD. ANY REPRODUCTION IN PART OR AS A WHOLE WITHOUT THE WRITTEN PERMISSION OF TIMES-7 IS PROHIBITED.</small> | <small>DIMENSIONS ARE IN mm UNLESS OTHERWISE SPECIFIED TOLERANCES: ONE PLACE DECIMAL ± 0.5 TWO PLACE DECIMAL ± 0.05</small> | | DESCRIPTION | | |
| | | | A1130 Near Field Antenna | | |
| DRAWN C Wilson | SIGNATURE <i>C Wilson</i> | DATE 28/03/2019 | SIZE A3 | PART NO. See Table | REV A |
| APPROVED R Lopez | SIGNATURE <i>R Lopez</i> | DATE 01/04/2019 | DO NOT SCALE DRAWING | | SHEET 1 OF 1 |

Mechanical Drawing A1163



TOP VIEW

BOTTOM VIEW



| Part No. | Description |
|----------|----------------------------|
| 72031-FG | A1163 Antenna ETSI - BLACK |
| 72032-FG | A1163 Antenna FCC - BLACK |
| 72033-FG | A1163 Antenna ETSI - WHITE |
| 72034-FG | A1163 Antenna FCC - WHITE |

| | | | | | |
|---|---|--------------------|--------------------------|-----------------------|-----------------|
| <small>THE INFORMATION CONTAINED IN THIS DRAWING IS THE SOLE PROPERTY OF TIMES-7 LTD. ANY REPRODUCTION IN PART OR AS A WHOLE WITHOUT THE WRITTEN PERMISSION OF TIMES-7 IS PROHIBITED.</small> | <small>DIMENSIONS ARE IN mm UNLESS OTHERWISE SPECIFIED TOLERANCES: ONE PLACE DECIMAL ± 0.5 TWO PLACE DECIMAL ± 0.05</small> | | DESCRIPTION | | |
| | | | A1163 Near Field Antenna | | |
| DRAWN C Wilson | SIGNATURE <i>[Signature]</i> | DATE 28/03/2019 | SIZE A3 | PART NO. See Table | REV A |
| APPROVED R Lopez | SIGNATURE <i>[Signature]</i> | DATE 01/04/2019 | DO NOT SCALE DRAWING | | SHEET 1 OF 1 |

Applications



Metal and liquids

True NearField antennas are ideal for applications which involve metal or liquids. Using their magnetic RF field only they are not affected by the side effects of these challenging materials and provide consistent read ranges and reliable tag reads.



POS

Using a near-field antenna for POS systems is a great way to reduce the time identifying each item at the check-out counter. An NF antenna can instantly and correctly identify all items that are placed on the antenna so long as the items are tagged appropriately while avoiding stray reads by passing items.



Shelving

The close proximity read range of near field antennas used in shelving applications allows for tracking items on each individual shelf avoiding stray reads in adjacent shelves or items which are passing by. This allows for a more defined and focused read area, in which you gain visibility over the items that you want to track.

OUR GLOBAL NETWORK

Constantly increasing market reach and influence in the global RFID industry, Times-7's international support spans The Americas, Europe, and Asia Pacific regions through our distributor, authorized reseller and integrated solutions provider network.

Times-7 Research Ltd
29 Railway Avenue
Lower Hutt 5010
New Zealand

NEW ZEALAND
P: +64 4 974 6566

USA/CANADA
P: +1 408 769 5025

E: info@times-7.com

www.times-7.com

The technical data contained in this publication is not a guarantee for which Times-7 Research Ltd assumes legal accountability. It is indicative of typical performance, and if required should be relied on for specific applications only after due verification.

All technical data, specifications and other information contained herein are deemed to be the proprietary intellectual property of Times-7 Research Ltd. No reproduction, copy or use thereof may be made without the express written consent of Times-7 Research Ltd.