



SR-751

Ethernet-compatible 2D Code Reader, Medium-distance Type



*Please note that accessories depicted in the image are for illustrative purposes only and may not be included with the product.

Specifications

Model		SR-751		
Type		Middle-range type		
Receiver	Sensor	CMOS Image Sensor		
	Number of pixels	752 × 480 pixels		
Lighting	Light source	Red LED		
Laser pointer	Visible semiconductor laser, Wavelength 660 nm			
	Output	60 μW		
	Pulse duration	200 μs		
	Laser class	Class 1 Laser Product (IEC60825-1, FDA (CDRH) Part 1040.10*1)		
Reading specifications	Minimum resolution	2D	0.19 mm	
		Barcode	0.127 mm	
	Supported symbol	2D	QR, MicroQR, DataMatrix (ECC200), GS1 DataMatrix, PDF417, MicroPDF, Composite Code (CC-A, CC-B, CC-C)	
		Barcode	GS1DataBar, CODE39, ITF, NW-7 (Codabar), CODE128, GS1-128, JAN/EAN/UP-C, CODE39 FullASCII, CODE93, 2of5 (Industrial 2of5), COOP 2of5, Trioptic CODE39	
	Reading distance (typical examples)	DataMatrix QR	45 to 165 mm (Cell size = 0.5 mm)	
		Barcode	45 to 195 mm (Narrow bar width = 0.5 mm)	
	Focal distance		100 mm	
	Field of view (at focal distance)		70.6 mm × 45.0 mm	
I/O specifications	Control input	Number of inputs	2	
		Input type	Bidirectional voltage input	
		Maximum rating	26.4 VDC	
		Minimum ON voltage	15 VDC	
		Maximum OFF current	0.2 mA or less	
	Control output	Number of outputs	3	
		Output type	Photo MOS relay output	
		Maximum rating	30 VDC	
		Maximum load current	1 output: 50 mA or less, Total of 3 outputs: 100 mA or less	
		Leakage current when OFF	0.1 mA or less	
		Residual voltage when ON	1 V or less	

	Ethernet	Communication standard	10BASE-T/100BASE-TX
		Supported protocol	TCP/IP, FTP, SNTP, BOOTP, EtherNet/IP®*2, PROFINET*3, MC protocol, KV STUDIO
	Serial communication	Communication standard	RS-232C compliant
		Transmission speed	9600, 19200, 38400, 57600, 115200 bps
		Supported protocol	Non-procedural, MC protocol, SYSDAY, KV STUDIO
Rating	Power voltage	Control port: 24 VDC \pm 10 % or Ethernet port: PoE TypeA/B 36 to 57 V (Cannot supply at the same time)*4	
	Current consumption	Control port: 220 mA (When 24 VDC power supply is used) Ethernet port: PoE Power Class 2*5	
Environmental resistance	Enclosure rating	IP65	
	Ambient light	Sunlight: 10,000 lux, Incandescent lamp: 6,000 lux, Fluorescent lamp: 2,000 lux	
	Ambient temperature	0 to +45 °C	
	Storage temperature	-10 to +50 °C	
	Relative humidity	35 to 95 % RH (No condensation)	
	Storage relative humidity		
	Operating environment	No dust or corrosive gas present	
	Vibration resistance	10 to 55 Hz, Double amplitude 1.5 mm, 55 to 500 Hz, Acceleration 5G, 3 hours in each of the X, Y, and Z directions	
Weight	Approx. 160 g		

*1 The laser classification for FDA (CDRH) is implemented based on IEC60825-1 in accordance with the requirements of Laser Notice No.50.

*2 EtherNet/IP® is a trademark or registered trademark of ODVA.

*3 PROFINET is a trademark or registered trademark of PROFIBUS International.

*4 To comply with CSA No.61010-1/UL61010-1/IEC61010-1, use the following power supply.

- one that provides Class 2 output as defined in the CEC and NEC, or

- one that has been evaluated as a Limited Power Source as defined in CAN/CSA-C22.2 No.60950-1/UL60950-1/IEC60950-1.

*5 Peak operating current for PoE Power Class 2: 210 mA maximum.

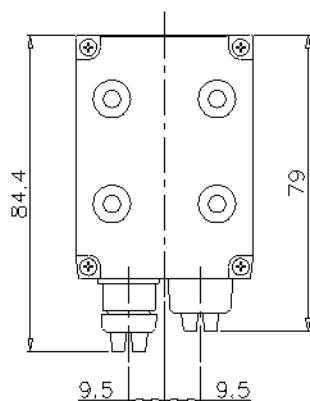
Dimensions

* Download CAD file or product manual for larger image/text and more detail.

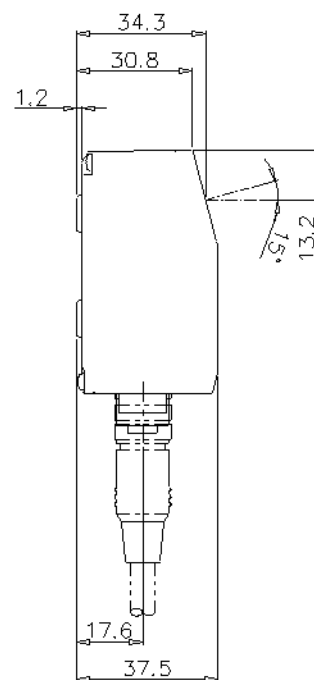
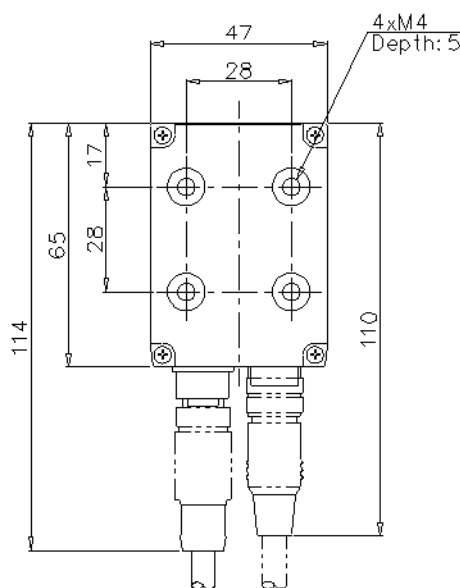
sr-750_751_750ha_650_651_650ha_dimension_01.gif

SR-750/751/750HA/650/651/650HA

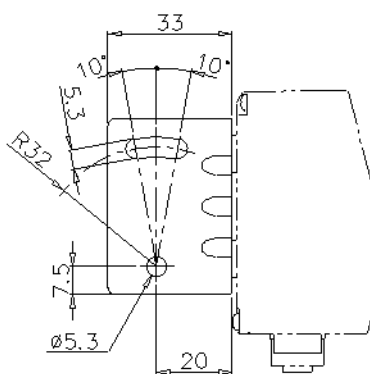
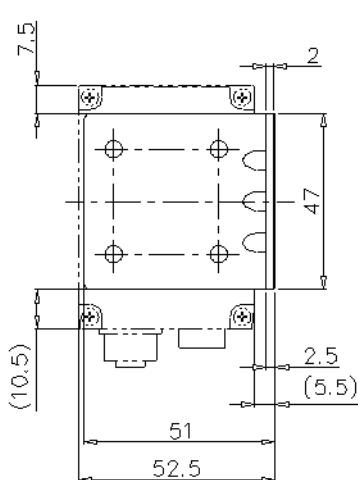
With port cover



With cable



When mounting bracket is attached



Screw hole dimensions

