

27” QHD IPS technology panel with USB hub and 100Hz refresh rate

Stylish edge-to-edge design makes the ProLite XU2793QSU perfect for multi-monitor set-ups. The IPS panel technology offers accurate and consistent colour reproduction with wide viewing angles. The 100Hz refresh rate together with AdaptiveSync function provides an instant, tangible improvement in image smoothness. The XU2793QSU offers QHD (2560 x 1440) resolution meaning the screen can accommodate almost 77% more information than a Full HD display. High contrast and brightness values mean the monitor will provide excellent performance for photographic and web design. Equipped with speakers, 2 port USB, headphone socket, HDMI and DisplayPort connections, a blue light reducer function to reduce eye fatigue for optimal user comfort, make this 27” monitor a great choice for both multi-monitor configuration and office applications.

Available also with height adjustable stand : [ProLite XUB2793QSU-B7](#)



IPS Technology

IPS displays are best known for wide viewing angles and natural, highly accurate colours. They are especially suited for colour-critical applications.



100Hz

A 100Hz refresh rate translates into increased smoothness of the image. This means that flickering is reduced and therefore eye fatigue is also less noticeable. The increased frequency also means smoother transitions between contrasting colours, smoother motion scenes in both movies and gaming, and even reduced mouse cursor flickering.

01 DISPLAY CHARACTERISTICS

Design	3-side borderless
Diagonal	27", 68.5cm
Panel	IPS panel technology LED, matte finish
Native resolution	2560 x 1440 @100Hz (3.7 megapixel QHD)
Aspect ratio	16:9
Panel brightness	300 cd/m ²
Static contrast	1300:1
Advanced contrast	80M:1
Response time (MPRT)	1ms
Viewing zone	horizontal/vertical: 178°/178°, right/left: 89°/89°, up/down: 89°/89°
Colour support	16.7mIn (sRGB: 96%; NTSC: 72%)
Horizontal Sync	30 - 151kHz
Viewable area W x H	596.7 x 335.7mm, 23.5 x 12.2"
Pixel pitch	0.233mm
Colour	matte, black

02 INTERFACES / CONNECTORS / CONTROLS

Signal input	HDMI x1 (v.2.0) DisplayPort x1 (v.1.2)
USB HUB	x2 (v.3.2 Gen 1 (5Gbps, 4.5W))
HDCP	yes
Headphone connector	yes

03 FEATURES

Blue light reducer	yes
Flicker free	yes
Adaptive Sync support	yes
Extra	i-Style colour
OSD languages	EN, DE, FR, ES, IT, RU, JP, CZ, NL, PL
Control buttons	Power, Menu, Adjustment/Volume, Adjustment/i-Style Colour, Input / Exit
User controls	picture adjust (brightness, contrast, Eco, ACR, OD, MBR, AdaptiveSync), colour settings (i-Style colour, blue light reducer, colour temp., user preset), OSD (OSD H. position, OSD V. position, OSD time), language, recall, miscellaneous (sharp and soft, video mode adjust, opening logo, RGB range, LED, display information), input select (source), audio settings (volume, mute audio)
Speakers	2 x 2W
Convenience	Kensington-lock™ prepared, DDC/CI, DDC2B, Mac OSX

04 MECHANICAL

Display position adjustments	tilt
Tilt angle	22° up; 4° down
VESA mounting	100 x 100mm
Cable management system	yes

05 ACCESSORIES INCLUDED

Cables	power, USB, HDMI, DP
Other	quick start guide, safety guide

06 POWER MANAGEMENT

Power supply unit	internal
Power supply	AC 100 - 240V, 50/60Hz
Power usage	22W typical, 0.5W stand by, 0.3W off mode

07 SUSTAINABILITY

Regulations	TCO Certified, CE, TÜV-GS, EAC, VCCI-B, PSE, RoHS support, ErP, WEEE, REACH, UKCA
--------------------	---

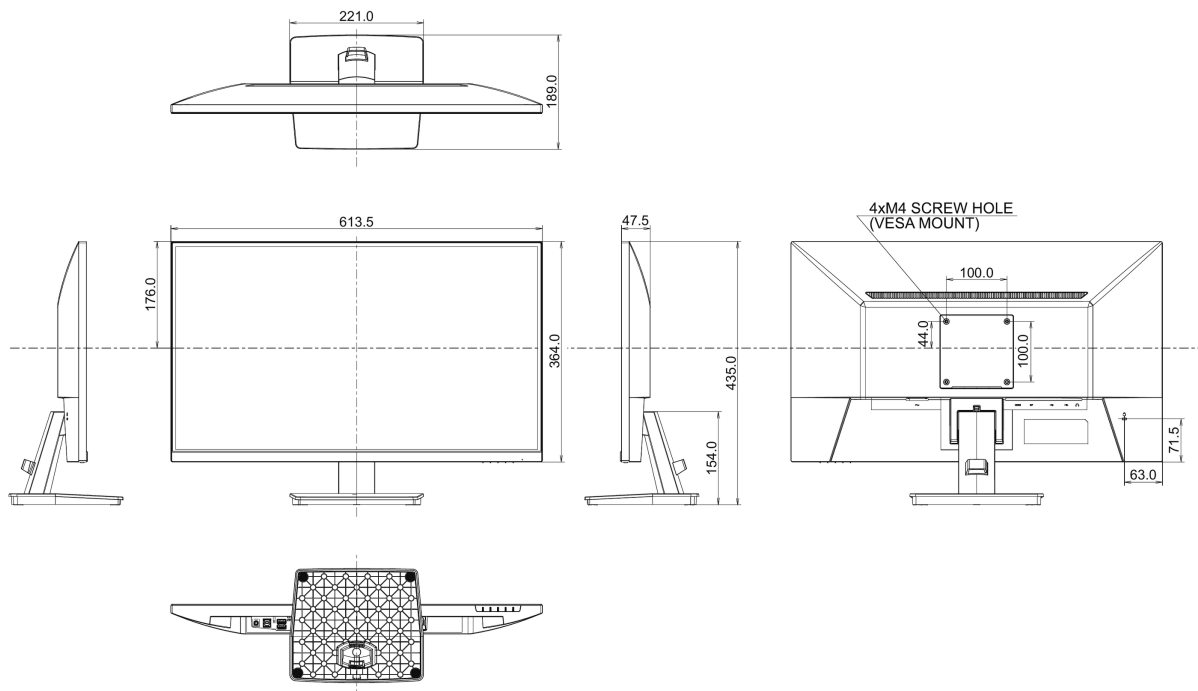
Energy efficiency class (Regulation (EU) 2017/1369)	E
--	---

EPEAT Silver	EPEAT is a comprehensive environmental rating that helps identify greener computers and other electronic equipment. The Silver certification means the monitor meets all required criteria plus at least 50% of the optional requirements. EPEAT Silver is valid in countries where iiyama registers the product. Please visit www.epeat.net for the registration status in your country.
---------------------	--

REACH SVHC	above 0.1%: Lead
-------------------	------------------

08 DIMENSIONS / WEIGHT

Product dimensions W x H x D	613.5 x 435 x 189mm
Box dimensions W x H x D	688 x 465 x 125mm
Weight (without box)	4.2kg
Weight (with box)	5.7kg
EAN code	4948570124640



All trademarks and registered trademarks acknowledged. E & O E. Specification subject to change without notice. All LCD's comply with ISO-9241-307:2008 in connection with pixel defects.

© IIYAMA CORPORATION. ALL RIGHTS RESERVED