

## F120 ACCESSORY SPEC BROCHURE



### GETAC TECHNOLOGY CORPORATION

5F, Building A, No. 209, Section 1, Nangang Rd., Nangang Dist., Taipei City,  
115018, Taiwan, R.O.C. Tel : +886 2 2785 7888 [globalmarketing@getac.com](mailto:globalmarketing@getac.com) |  
[www.getac.com](http://www.getac.com)

# CARRY BAG

## Features & Benefits

Constructed of durable Nylon / air mesh fabric, and featuring an adjustable padded shoulder strap, this compact carry bag provides sturdy protection for your tablet while giving maximum comfort. The functional pockets inside offer the optimal solution to transport the tablet and needed accessories together in one case, delivering extra convenience and go-anywhere productivity to mobile professionals.

### Product Information

Dimensions : L 340 x W 260 x D 65 mm  
Weight : 760g  
Main Material : Nylon, air mesh fabric

### SKU ID

GMBCX2



# 100W TYPE-C AC ADAPTER

## Features & Benefits

The 100W Type-C AC adapter as an additional charging solution to charge Getac rugged tablets and laptops with inherent USB type-C ports as well as the power delivery functionality. The Type-C adapter features a reversible connector type that reduces connector damages due to misuse.

### Product Information

Input : 100V-240V  
Output : 20V, 5A, 100W  
Dimensions : L 140 x W 65 x H 25mm  
Weight : 326g  
Input cable length : 1830mm  
Output cable length : 1500mm

### SKU ID

GAT1E1 (EU Power Cord)  
GAT1U1 (US Power Cord)  
GAT1K1 (UK Power Cord)  
GAT1A1 (AU Power Cord)  
GAT1C1 (CHN Power Cord)  
GAT1T1 (TW Power Cord)  
GAT1I1 (IN Power Cord)



# 120W DC-DC VEHICLE ADAPTER

## Features & Benefits

The 120W vehicle adapter comes with a choice of two types of connections: a bare wire with individual wire ends already stripped, and a cigarette lighter plug for easy connection to the cigarette lighter socket in the vehicle interior, providing a convenient way to charge and power your tablet while you are on the road.

### Product Information

Input Voltage : 11VDC~ 32VDC  
Output Voltage : 19VDC  
Output current : 6.32A Max.  
Case Dimensions : L 131.5 x W 65.6 x H 30mm  
Weight : 362g  
Input cable length : 1900mm  
Output cable length : 1000mm

### SKU ID

GAD2X4 (Cigarette Lighter Plug Version)  
GAD2X8 (Bare Wire Version)



# 90W MIL-STD-461 AC ADAPTER

## Features & Benefits

This MIL-STD-461G AC adapter has passed the military standard and testing specification to ensure the conducted emissions (CE), conducted susceptibility (CS), radiated emissions (RE), and radiated susceptibility (RS) of the adapter can meet the requirements for the control of electromagnetic interference.

### Product Information

Input : 115V-230V, 1.6A 50~60Hz  
Output : 19V, 4.74A, 90W  
Dimensions : L 170 x W 75 x H 45mm  
Weight : 880g (without power cord)  
Input cable length : 1530mm  
Output cable length : 1800mm

### SKU ID

GAAGE5 (EU Power Cord)  
GAAGU5 (US Power Cord)  
GAAGK5 (UK Power Cord)  
GAAGC5 (CHN Power Cord)  
GAAGA5 (AU Power Cord)  
GAAGI5 (IN Power Cord)  
GAAGT5 (TW Power Cord)



# DIGITIZER PEN WITH TETHER

## Features & Benefits

The digitizer pen provides a more accurate and easy way for data entry and handwritten signature. A shortcut button allows the right mouse button functionality when using the pen.

### Product Information

Stylus Dimensions : 109mm ; Ø9mm  
Tip size : 2.0mm ; Ø1.65mm  
Tether Length : 292mm

### SKU ID

GMPDX6



# GETAC DS100 USB-C DOCKING STATION WITH AC ADAPTER

## Features & Benefits

The Getac DS100 USB-C Docking Station, featuring a slim and compact design, seamlessly consolidates cables on the workstation. This allows users to swiftly create a personalized workspace and organize their daily office environment. Compatible with various Getac laptop and tablet models, it provides extra connectivity and multiple I/O ports for additional peripherals and data sources. With support for MAC Address Pass-Through, Wake-on-LAN (WoL), and PXE Boot, the DS100 aids IT administrators in maintaining a secure, efficient, and well-managed network infrastructure.

### Product Information

Dimensions: L 207 x W 90 x H 34.1mm  
Weight (without 135W AC Adapter): 372.4g (0.82lbs)  
Power Cable Length: 1.8m  
USB-C Upstream Cable Length: 1m  
I/O Ports: DC in Jack x 1, USB 3.2 Gen 1 Type-A x 3,  
USB 3.2 Gen 2 Type-C x 2, LAN x 1, HDMI 2.0 x 1, DisplayPort 1.4 x 2,  
Kensington lock, Kensington nano slot  
(For use in non-hazardous areas only)

### SKU ID

GDDSE2 (EU Power Cord)  
GDDSU2 (US Power Cord)  
GDDSK2 (UK Power Cord)  
GDDSA2 (AU Power Cord)  
GDDSC2 (CHN Power Cord)  
GDDST2 (TW Power Cord)  
GDDSI2 (IN Power Cord)



# SHOULDER HARNESS 4-POINT

## Features & Benefits

This shoulder harness has four snap hooks which attach to the corner rings on the tablet, and can be easily detached as well. The harness is worn in a backpack style, allowing the tablet to be carried hands-free in front of the user at a belt level for easy accessibility. It also delivers optimal support and a comfortable fit during movement, thanks to its wide soft padding and adjustable straps.

### Product Information

Dimensions : 1380 x 372mm  
Main Material : Polyester

### SKU ID

GMS4X4



# SHOULDER STRAP 2-POINT

## Features & Benefits

This shoulder strap attaches via two holders at the back of the tablet and is adjustable to fit most body sizes for both cross-body and shoulder carry. With its durable, sturdy design, the strap not only provides a comfortable, grip-free carrying option of the tablet but also helps in avoiding accidental drops while on the move. The shoulder strap can also attach to the detachable keyboard (sold separately) via two D-rings on the built-in handle.

### Product Information

Dimensions : 38 x 1530mm  
Main Material : Polyester

### SKU ID

GMS2X8



# CAPACITIVE STYLUS & TETHER

## Features & Benefits

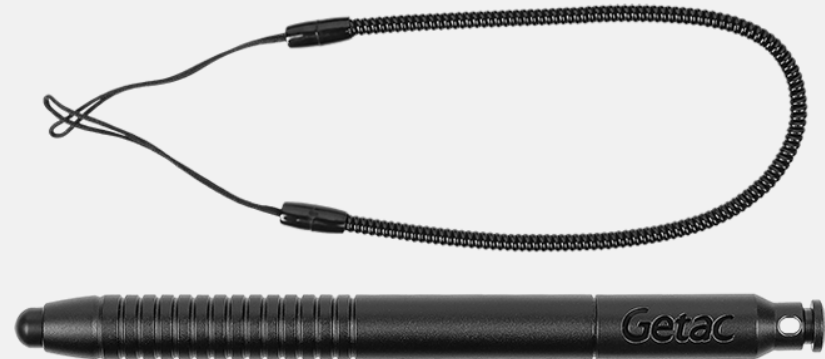
This capacitive hard tip stylus is lightweight and easy to control, allowing smooth and comfortable interaction with the touch screen without worrying about scratching the screen or leaving fingerprints on it. The stylus comes with a detachable tether to keep the stylus attached to the device, so it doesn't get lost or misplaced.

### Product Information

Stylus Dimensions : 110mm ; Ø9mm  
Tip size : 4mm ; Ø5.5mm  
Tether Length : 304mm

### SKU ID

GMPSXW  
\* MOQ : 10pcs



# SCREEN PROTECTION FILM

## Features & Benefits

This screen protection film is cut precisely to fit the F120 tablet and is easy to install and remove without leaving a sticky residue. With anti-glare coating, it not only protects the screen from the rigors of daily use but also help diffuses light on the screen and reduces glare, providing effortless readability for displayed information under common ambient lighting conditions.

### Product Information

Dimensions : L 269.09 x W 175.7mm  
Main Material : PET

### SKU ID

GMPFXX



# STANDARD BATTERY 4070MAH (1-PACK)

## Features & Benefits

The hot-swappable battery can support full-shift computing with no downtime. It is a great solution for mobile professionals who require long battery life for all-day operation.

### Product Information

Battery Type : Lithium-ion Polymer  
Voltage : 7.74V  
Capacity : Typical 4070mAh ; Min. 3800mAh  
Dimensions : L 133 x W 74 x H 10mm  
Weight : 146g

### SKU ID

GBM2X4



# 65W AC ADAPTER WITH POWER CORD

## Features & Benefits

This adapter is designed to power the device and charge its internal battery from an AC power source. A country-specific power cord is included with the adapter to fit the local power outlet in your designated country.

### Product Information

Input : 100V-240V, 50~60Hz, 1.5A  
Output : 19V, 3.42A, 65W  
Dimensions : L 108.3 x W 46.3 x H 30mm  
Weight : 250g  
Input cable length : 1830mm  
Output cable length. : 1500mm

### SKU ID

GAA6E5 (EU Power Cord)  
GAA6U5 (US Power Cord)  
GAA6K5 (UK Power Cord)  
GAA6A5 (AU Power Cord)  
GAA6C5 (CHN Power Cord)  
GAA6T5 (TW Power Cord)  
GAA6G5 (ARG Power Cord)  
GAA6I5 (IN Power Cord)



# HIGH-CAPACITY BATTERY 4070MAH (1-PACK)

## Features & Benefits

The high-capacity battery pack extends the system run time up to two times compared to the standard battery pack, providing a great solution for mobile professionals who require extra battery life for operation longer than one day.

### Product Information

Battery Type : Lithium-ion Polymer  
Voltage : 11.61V  
Capacity : Typical 4070mAh ; Min. 3800mAh  
Dimensions : L 133 x W 74 x H 16.8mm  
Weight : 205g

### SKU ID

GBM3X8



# GETAC RUGGED KEYBOARD

## Features & Benefits

The Getac Rugged Keyboard is designed with VESA and AMPS mounting capability that allow it to be placed firmly in the vehicle. It has gone through vigorous test that comply with MIL-STD 810G and IP65. It also features with 88 full sized keys, red LED backlight with five levels of brightness and impressive key response that will truly enhance user experience.

### Product Information

Dimension : 307.7 x 194 x 32 mm  
 Weight : 870g  
 Compatibility : Windows 11 Pro  
 Backlit : Red LED. five levels of brightness  
 Coiled Cable Length : USB 2.0 interface, 1.83m

### SKU ID

Getac Rugged Keyboard	Getac Rugged Keyboard with Smart card and USB 2.0	Getac Rugged Keyboard with Smart card and LF/HF RFID
GDKBU9 (US) GDKBC9 (UK) GDKBB9 (DE) GDKBD9 (FR) GDKBM9 (ES) GDKBF9 (Canadian French)	GDKBU6 (US) GDKBC6 (UK) GDKBB6 (DE) GDKBD6 (FR) GDKBM6 (ES) GDKBF6 (Canadian French)	GDKBU7 (US) GDKBC7 (UK) GDKBB7 (DE) GDKBD7 (FR) GDKBM7 (ES) GDKBF7 (Canadian French)



# 65W USB-C AC ADAPTER

## Features & Benefits

This adapter is designed to power the device and charge its internal battery from an AC power source.

### Product Information

Input : 100V-240V, 50~60Hz, 1.6A

Output : 5V/3A, 9V/3A, 12V/3A, 15V/3A, 20V/3.25A

Dimensions : L 90 x W 51 x H 28.5mm

Weight : 220g ±15g

Input cable length : 1830mm

Output cable length. : 1500mm

### SKU ID

GAT6U1 (US Power Cord)

GAT6E1 (EU Power Cord)

GAT6K1 (UK Power Cord)

GAT6A1 (AU Power Cord)

GAT6C1 (CHN Power Cord)

GAT6T1 (TW Power Cord)



# EXTERNAL DUAL-BAY BATTERY CHARGER

## Features & Benefits

This external dual-bay battery charger is designed to charge up to two batteries at the same time. It provides the benefit of charging and storing the 2 batteries together when there is limited space and power socket.

### Product Information

AC Input : 100V~240V  
DC Output : 13.05V, 2.4A Max.  
Number of charge bay : 2 Bay  
Dimensions : L 160 x W 180 x H 72.5mm  
Weight : 1.2kg ,not including battery packs  
Support main batteries and high-capacity batteries.

### SKU ID

GCMCET (EU Power Cord)  
GCMCUT (US Power Cord)  
GCMCKT (UK Power Cord)  
GCMCAT (AU Power Cord)  
GCMCCT (CHN Power Cord)  
GCMCTT (TW Power Cord)  
GCMCGT (ARG Power Cord)  
GCMCIT (IN Power Cord)



# MULTI-BAY BATTERY CHARGER EIGHT BAY

## Features & Benefits

The 8-bay multi-battery charger is designed to charge multiple battery packs simultaneously and provide users an efficient charging solution.

### Product Information

AC Input : 100V~240V AC, 4.2A 50~60Hz

DC Output : 19.5V, 16.9A

\* w / 330W AC Adapter

Number of charge bays : 8 bays

Dimensions : L 465 x W 245 x H 95.3~111.3mm

Weight : 4.7 kg ,not including battery packs

Support main batteries and high-capacity batteries.

### SKU ID

GCECET (EU Power Cord)

GCECUT (US Power Cord)

GCECKT (UK Power Cord)

GCECAT (AU Power Cord)

GCECCT (CHN Power Cord)

GCECTT (TW Power Cord)

GCECIT (IN Power Cord)



# ROTATING HAND STRAP & KICKSTAND

## Features & Benefits

The Rotating Hand Strap is designed to make using the tablet easier and more convenient to carry. The hand strap is adjustable to fit most hand sizes and can be rotated 360 degrees to find the ideal viewing angle while on-the-go. It also includes a built-in kickstand that allows for handsfree usage on flat surfaces, providing more on-the-job flexibility.

### Product Information

Dimensions : L 236 x W 136 x H 25mm  
Weight: 202g  
Main Material : PU

### SKU ID

GMHRXQ



# SPARE MAIN STORAGE WITH CANISTER

## Features & Benefits

Getac Spare Main Storage with canister is designed to provide you the ease of installation and allow you to remove your confidential data when your device is sent for service.

### Product Information

Capacity : PCIe NVMe 256GB/512GB/1TB/2TB  
Dimension : L 162.4 x W 28.2 x H 5.6mm  
Weight : 30g

---

### SKU ID

GSSEX (Removable 256GB PCIe SSD w/ Canister)  
GSSFxD (Removable 512GB PCIe SSD w/ Canister)  
GSSGXE (Removable 1TB PCIe SSD w/ Canister)  
GSSHXC (Removable 2TB PCIe SSD w/ Canister)



# HARD HANDLE

## Features & Benefits

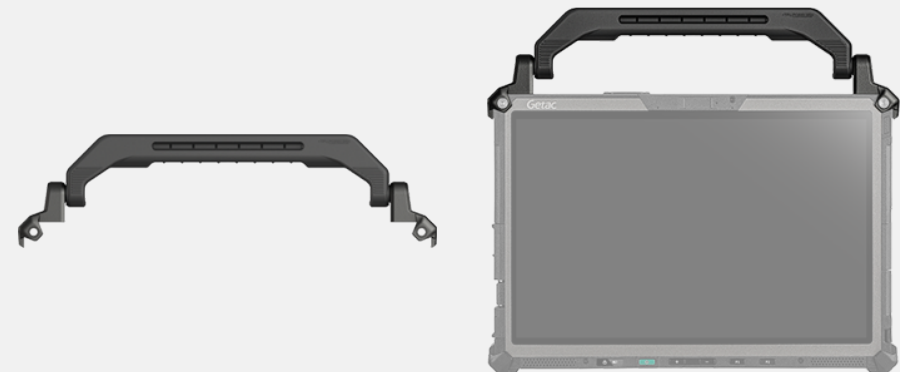
The multi-functional hard handle offers extra mobility to field workers to grab-and-go when situation required.

### Product Information

Dimensions : L 309.73 x W 65.1 x H 28.7mm  
Weight : 170g  
Main Material : PC

### SKU ID

GMHDXC



# KEYBOARD DOCK

## Features & Benefits

Featuring 4-level red backlighting, 83 full-size keys and an integrated touchpad, the keyboard dock allows for a user-friendly, laptop-like operation to minimize mistakes and increase the efficiency as you perform data-intensive tasks. It also carries a variety of I/O ports for connections to peripherals and other devices. Its Double-locking mechanism strengthens the tablet-keyboard connection and prevents the keyboard from accidentally falling off.

### Product Information

Dimension : L 312 x W 260 x H 21.7mm / L 312 x W 260 x H 57.7mm (with holder)

Weight : 980g

Structure : IP66; membrane

Drop : 4ft

Layout : 83 keys

I/O Interfaces : USB 3.1 Gen 1 Type-A x 1, LAN x 1

Docking Connector (to tablet)

### SKU ID

GDKBUS (US)

GDKBBS (DE)

GDKBCS (UK)

GDKBDS (FR)

GDKBES (IT)

GDKBGS (Traditional Chinese)

GDKBMS (Spanish)

GDKBTS (Turkey)

GDKBWS (US International)

GDKBFS (Canadian French)



# SLIM HAND STRAP WITH STYLUS HOLDER 2-POINT

## Features & Benefits

The adjustable strap is designed to keep the tablet securely in the user's hand for easier carrying, and comes with a built-in stylus holder for added convenience.

### Product Information

Dimensions : L 155 x W 45 x H 8mm  
Weight : 37g  
Main Material : Polyester

### SKU ID

GMHSXF

