

## Spare Parts List



Label Printer

# Hermes C

MADE IN GERMANY

## for the following products

Family	Type
Hermes C	Hermes C6

**Edition:** 03/2025 - Part No. 9009780

**Copyright**

This documentation as well as translation hereof are property of cab Produkttechnik GmbH & Co. KG.

The replication, conversion, duplication or divulgement of the whole manual or parts of it for other intentions than its original intended purpose - in particular the procurement of spare parts for products sold by cab – demand the previous written authorisation by cab.

**Editor**

Regarding questions or comments please contact cab Produkttechnik GmbH & Co. KG.

**Topicality**

Due to the constant further development of our products discrepancies between documentation and product can occur. Please check [www.cab.de](http://www.cab.de) for the latest update.

**Terms and conditions**

Deliveries and performances are effected under the “General conditions of sale of cab”

**Table of Contents**

1	Covering, Control Panel.....	3
2	Electronics, Power Supply .....	4
3	Print Unit - 1 .....	5
4	Print Unit - 2 .....	6
5	Transport Unit .....	7
6	Main Drive.....	8
7	Saver Drive, Rewinder Drive .....	9
8	Label Unwinder, Pivot Arm.....	10
9	Liner Rewinder.....	11
10	Ribbon Hubs .....	12
11	Spare Parts Index .....	13
12	Packaging/Accessories.....	16

Germany  
**cab Produkttechnik GmbH & Co KG**  
 Karlsruhe  
 Phone +49 721 6626 0  
[www.cab.de](http://www.cab.de)

USA  
**cab Technology, Inc.**  
 Chelmsford, MA  
 Phone +1 978 250 8321  
[www.cab.de/us](http://www.cab.de/us)

Taiwan  
**cab Technology Co., Ltd.**  
 Taipei  
 Phone +886 (02) 8227 3966  
[www.cab.de/tw](http://www.cab.de/tw)

Singapore  
**cab Singapore Pte. Ltd.**  
 Singapore  
 Phone +65 6931 9099  
[www.cab.de/en](http://www.cab.de/en)

France  
**cab Technologies S.à.r.l.**  
 Niedermodern  
 Phone +33 388 722501  
[www.cab.de/fr](http://www.cab.de/fr)

Mexico  
**cab Technology, Inc.**  
 Juárez  
 Phone +52 656 682 4301  
[www.cab.de/es](http://www.cab.de/es)

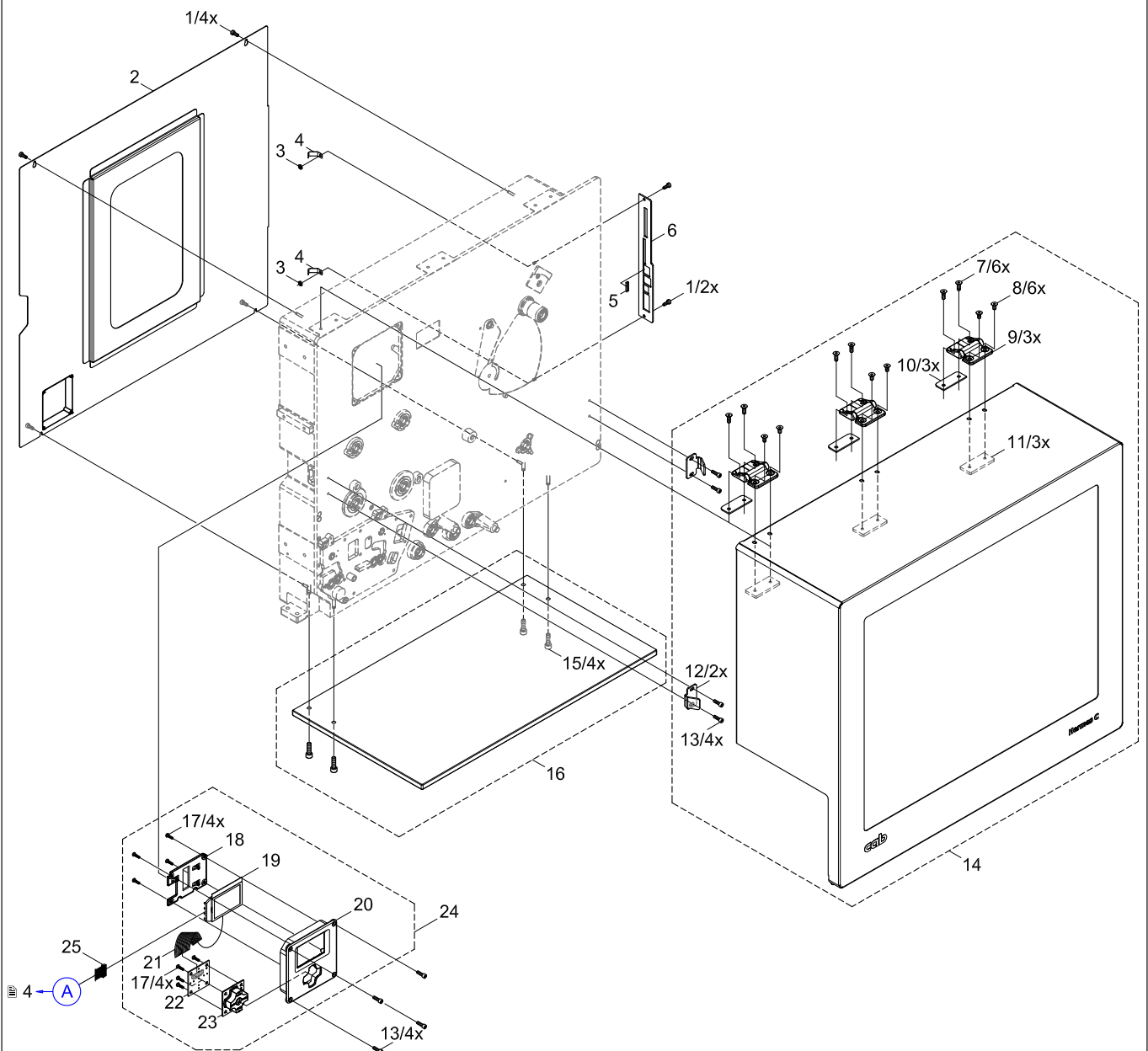
China  
**cab (Shanghai) Trading Co., Ltd.**  
 Shanghai  
 Phone +86 (021) 6236 3161  
[www.cab.de/cn](http://www.cab.de/cn)

South Africa  
**cab Technology (Pty) Ltd.**  
 Randburg  
 Phone +27 11 886 3580  
[www.cab.de/za](http://www.cab.de/za)

No.	Part No.	Description	PU	Notes	Serial No.	
					from	to
1	5902565.001	Screw DIN7984-M4x10	10			
2	5970427.001	Cover	1			
3	5902582.001	Nut DIN439-M4	10			
4	5961073.001	Spring	1			
5	5954132.001	Strip	5			
6	5959570.001	Cover	1			
7	5977726.001	Screw M5x14	10			
8	5977725.001	Screw M5x10	10			
9	5527476.001	Hinge	1			
10	5970521.001	Plate	1			
11	5527178.001	Threaded Plate	1			
12	5970529.001	Cover Clamp	1			
13	5902241.001	Screw DIN7984-M4x10	10			

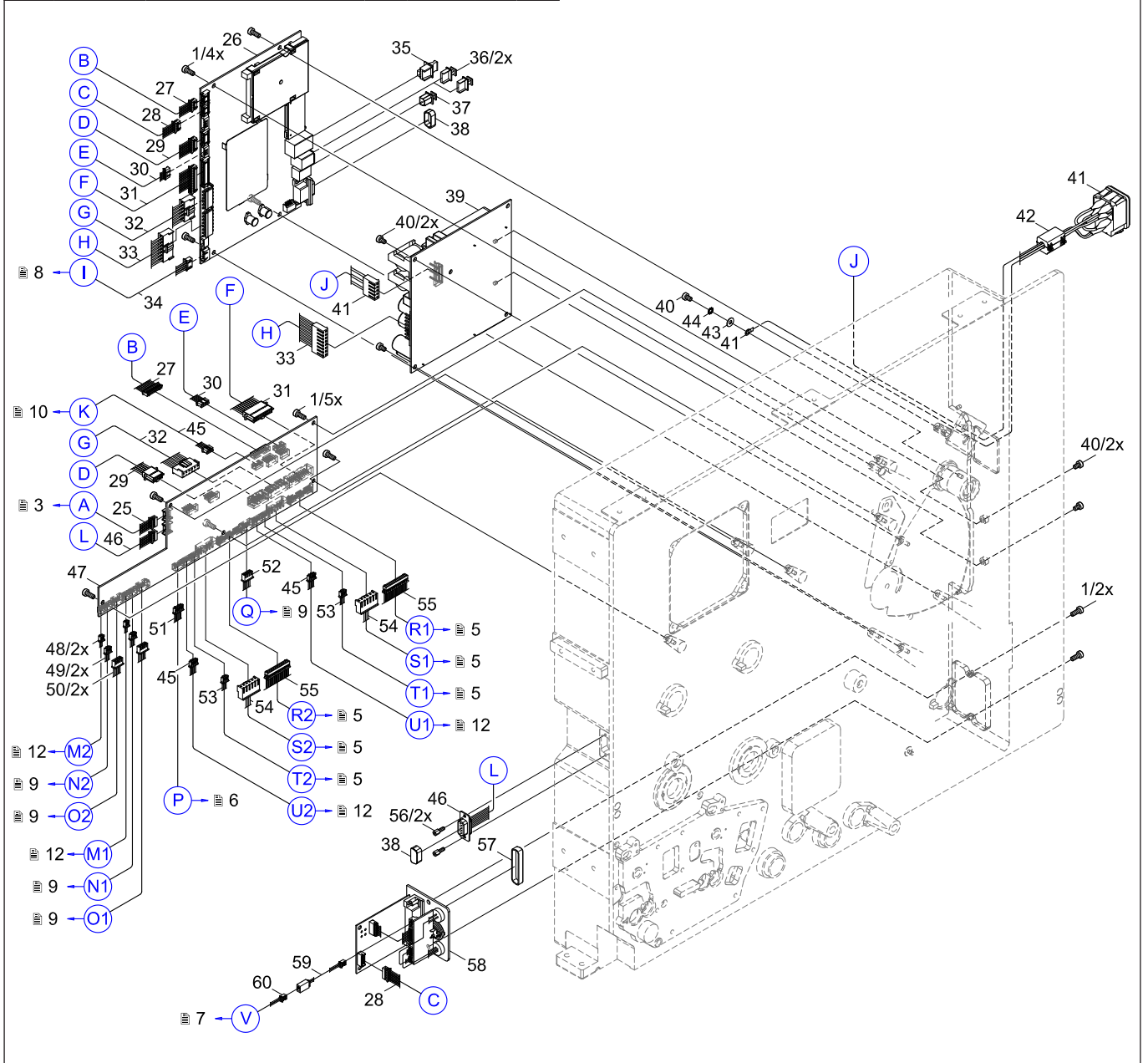
No.	Part No.	Description	PU	Notes	Serial No.	
					from	to
14	5970475.001	Cover	1	O		
15	5902361.001	Screw DIN7984-M6x16	10			
16	5970474.001	Cover	1	O		
17	5902414.001	Screw EJOT-PT-K30x12	10			
18	5955552.001	Guide	1			
19	5540868.001	LCD Display	1			
20	5955551.001	Chassis	1			
21	5917914.001	Cable Control Panel	1			
22	5955034.001	PCB Navi Button	1			
23	5540930.001	Navigator Pad	1			
24	5960139.001	Control Panel	1			
25	5955035.001	Cable Display	1			

Notes O Option



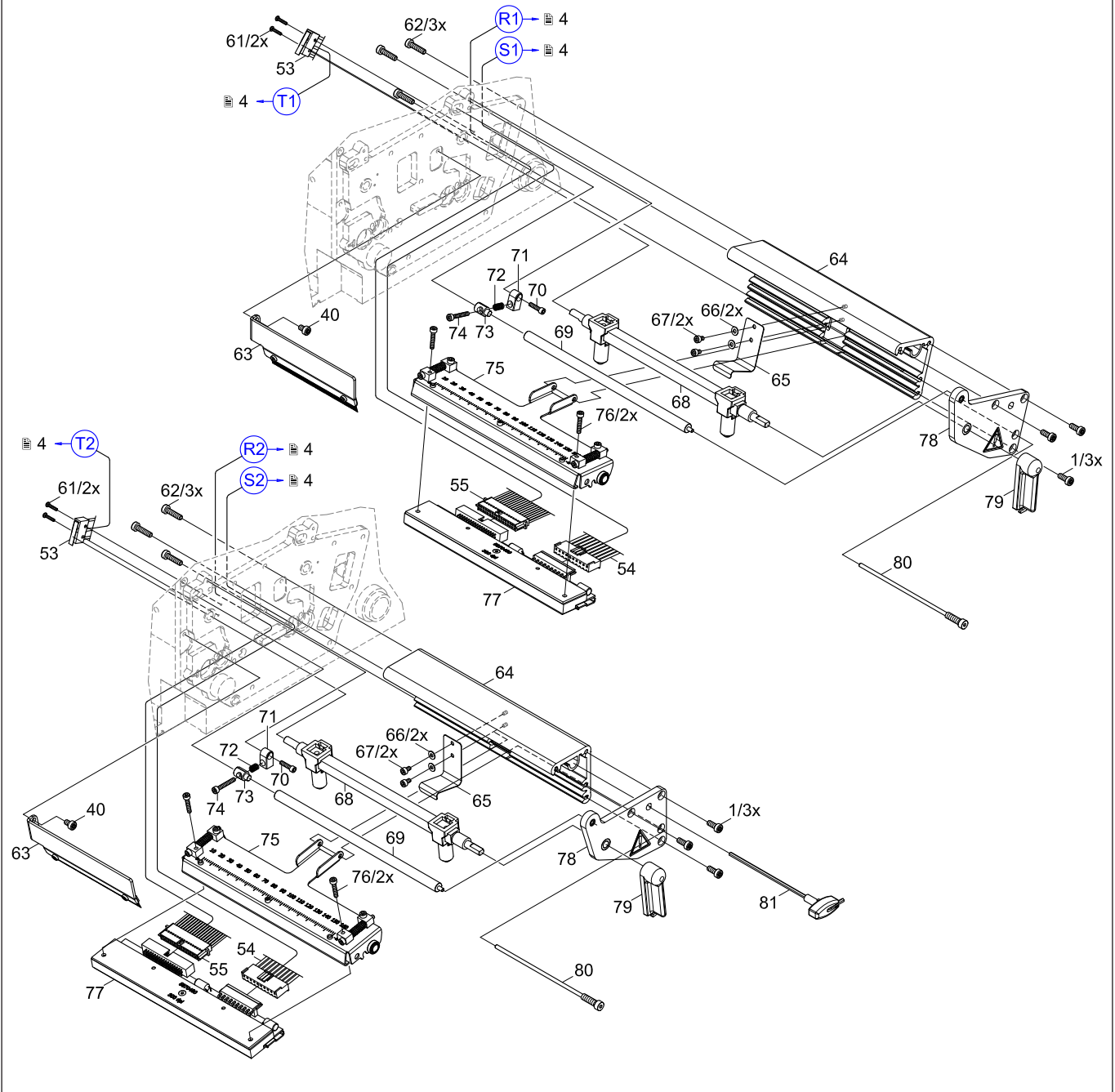
No.	Part No.	Description	PU	Notes	Serial No.	
					from	to
1	5902565.001	Screw DIN7984-M4x10	10			
25	5955035.001	Cable Display	1			
26	5551205.001	CPU X2	1			
27	5965471.001	Cable Control Panel	1			
28	5551646.001	Cable I/O	1	15808		
29	5959304.001	Cable	1			
30	5970536.001	Cable RS232	1			
31	5970522.001	Cable Printhead	1			
32	5970538.001	Cable Printhead	1			
33	5943107.001	Cable Power Supply	1			
34	5970539.001	Cable Motor	1			
35	5906190.001	Protection Cap	10			
36	5906188.001	Protection Cap	1			
37	5906189.001	Protection Cap	10			
38	5906181.001	Protection Cap	10			
39	5956220.001	Power Supply	1			
40	5902571.001	Screw DIN7984-M4x6	10			
41	5955046.001	Power Input Module	1			
42	5906082.001	Ferrite	1			
43	5903033.001	Washer DIN125-A4.3	10			

No.	Part No.	Description	PU	Notes	Serial No.	
					from	to
44	5903011.001	Toothed Washer DIN6797-A4.3	10			
45	5959308.001	Cable Ribbon Sensor	1			
46	5970535.001	Cable Periphery	1			
47	5970472.001	PCB Electronics	1			
48	5956247.001	Magnetic Clutch	1			
49	5970537.001	Cable Saver Sensor	1			
50	5969028.001	Stepper Motor	1			
51	5970533.001	Cable Label Sensor	1			
52	5952586.001	Cable Motor	1			
53	5970532.001	Printhead Switch	1			
54	5970530.001	Cable Printhead	1			
55	5970531.001	Cable Printhead	1			
56	5902141.001	Bolt A/M3 I/U4	10			
57	5906187.001	Protection Cap	1			
58*	6012202	Conversion Kit I/O Hermes C contains No. 28, 58 and 59	1			15807
58	5961748.001	PCB I/O Interface	1			15808
59	5551649.001	Cable Extension	1			15808
60	5970534.001	Switch Transport System	1			



No.	Part No.	Description	PU	Notes	Serial No.	
					from	to
1	5902565.001	Screw DIN7984-M4x10	10			
40	5902571.001	Screw DIN7984-M4x6	10			
53	5970532.001	Printhead Switch	1			
54	5970530.001	Cable Printhead	1			
55	5970531.001	Cable Printhead	1			
61	5902457.001	Screw DIN7985-M2x10	10			
62	5902572.001	Screw DIN7984 M4x16	10			
63	5961644.001	Antistatic Brush	1			
64	5970378.001	Profile	1			
65	5969011.001	Spring	1			
66	5903124.001	Washer DIN125-A3.2	10			
67	5902849.001	Screw DIN912-M3x5	10			
68	5956361.001	Printhead Locking System	1			
69	5984348.001	Roller Ribbon	1			

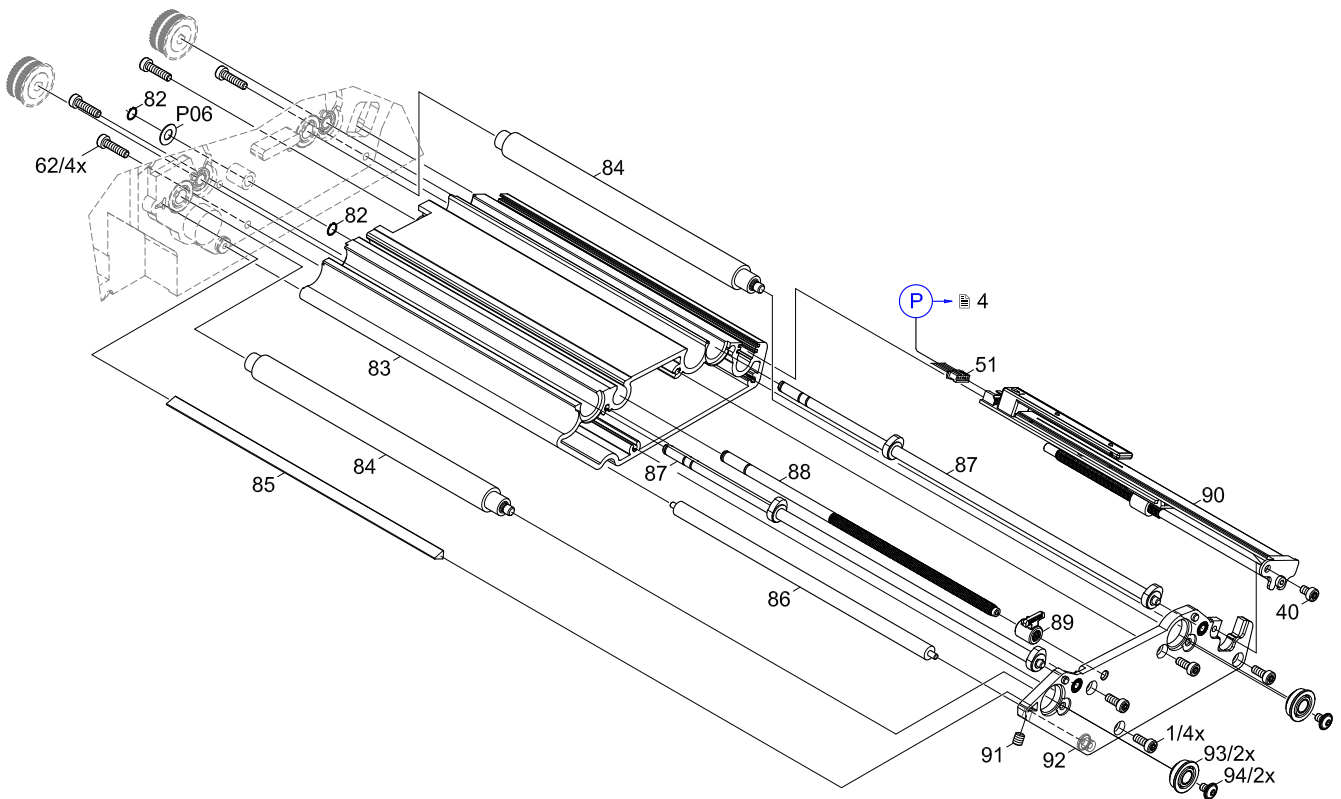
No.	Part No.	Description	PU	Notes	Serial No.	
					from	to
70	5902010.001	Screw DIN912-M3x10	10			
71	5959726.001	Screw Fastening	1			
72	5906136.001	Spring	5			
73	5954060.001	Pivot Arm	1			
74	5902011.001	Screw DIN912-M3x20	10			
75	5970371.001	Printhead Mounting Bracket	1			
76	5902474.001	Screw DIN912-M3x16	10			
77	5970480.001	Printhead 6/300	1			
78	5970384.001	Side Plate	1			
79	5970446.001	Lever	1			
80	5970456.001	Printhead Retainer Screw	1			
81	5946113.001	Allen Key	1			



No.	Part No.	Description	PU	Notes	Serial No.	
					from	to
1	5902565.001	Screw DIN7984-M4x10	10			
40	5902571.001	Screw DIN7984-M4x6	10			
51	5970533.001	Cable Label Sensor	1			
62	5902572.001	Screw DIN7984 M4x16	10			
82	5903521.001	Snap Ring DIN471-A6	10			
83	5970422.001	Profile	1			
84	5954245.001	Drive Roller DR6	1			
85	5956288.001	Peel-off Edge	1			
86	5954242.001	Roller	1			
87	5970454.001	Eccentric	1			

No.	Part No.	Description	PU	Notes	Serial No.	
					from	to
88	5961227.001	Spindle	1			
89	5955708.001	Guide	1			
90	5961218.001	Label Sensor	1			
91	5904556.001	Set Screw DIN913-M5x6	10			
92	5970419.001	Side Plate	1			
93	5970424.001	Bearing	1			
94	5902817.001	Screw sim. ISO7380-M4x6	10			
P06	-	Washer DIN988-6x12x...	-	Set		
PS	5961571.001	Washer Set	1			

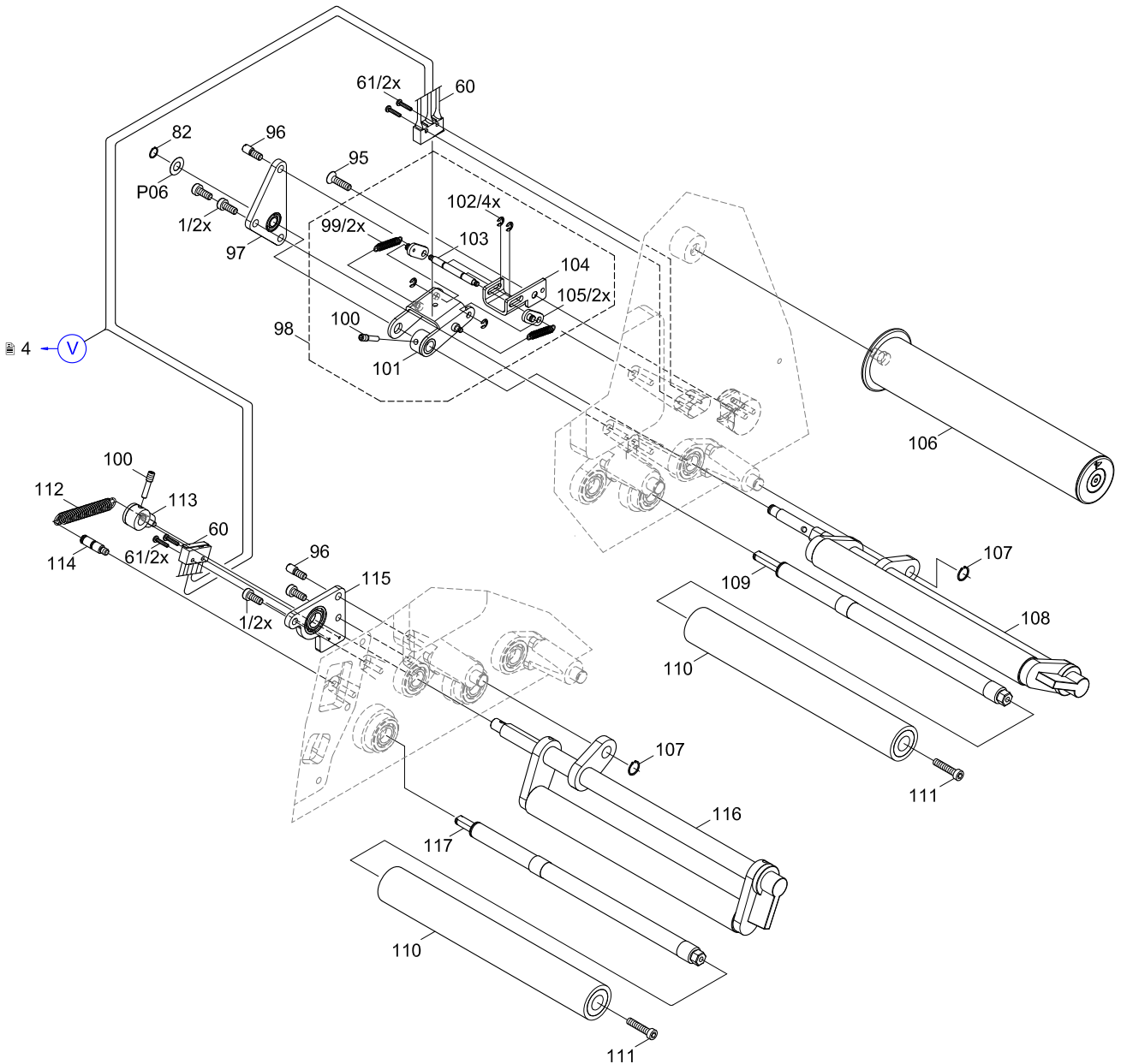
**Notes** Set Quantity and thickness as necessary from Washer Set PS



No.	Part No.	Description	PU	Notes	Serial No.	
					from	to
1	5902565.001	Screw DIN7984-M4x10	10			
60	5970534.001	Switch Transport System	1			
61	5902457.001	Screw DIN7985-M2x10	10			
82	5903521.001	Snap Ring DIN471-A6	10			
95	5902554.001	Screw DIN7991-M4x10	10			
96	5953788.001	Eccentric	1			
97	5970493.001	Side Plate	1			
98	5961265.001	Locking System	1			
99	5906208.001	Spring	10			
100	5961267.001	Screw	1			
101	5961276.001	Lever	1			
102	5903507.001	E-Ring DIN6799-3.2	10			
103	5946458.001	Axle	1			
104	5955627.001	Guide	1			
105	5961270.001	Link	1			

No.	Part No.	Description	PU	Notes	Serial No.	
					from	to
106	5961226.001	Belt Roller	1			
107	5903516.001	Snap Ring DIN471-8x0.8	10			
108	5961223.001	Shaft	1			
109	5970463.001	Axle	1			
110	5961220.001	Roller ZR6	1			
111	5902562.001	Screw DIN7984 M4x14	10			
112	5906262.001	Spring	1			
113	5970402.001	Lever	1			
114	5960168.001	Spring Bolt	1			
115	5970405.001	Bearing Plate	1			
116	5970462.001	Shaft	1			
117	5970464.001	Axle	1			
P06	-	Washer DIN988-6x12x...	-	Set		
PS	5961571.001	Washer Set	1			

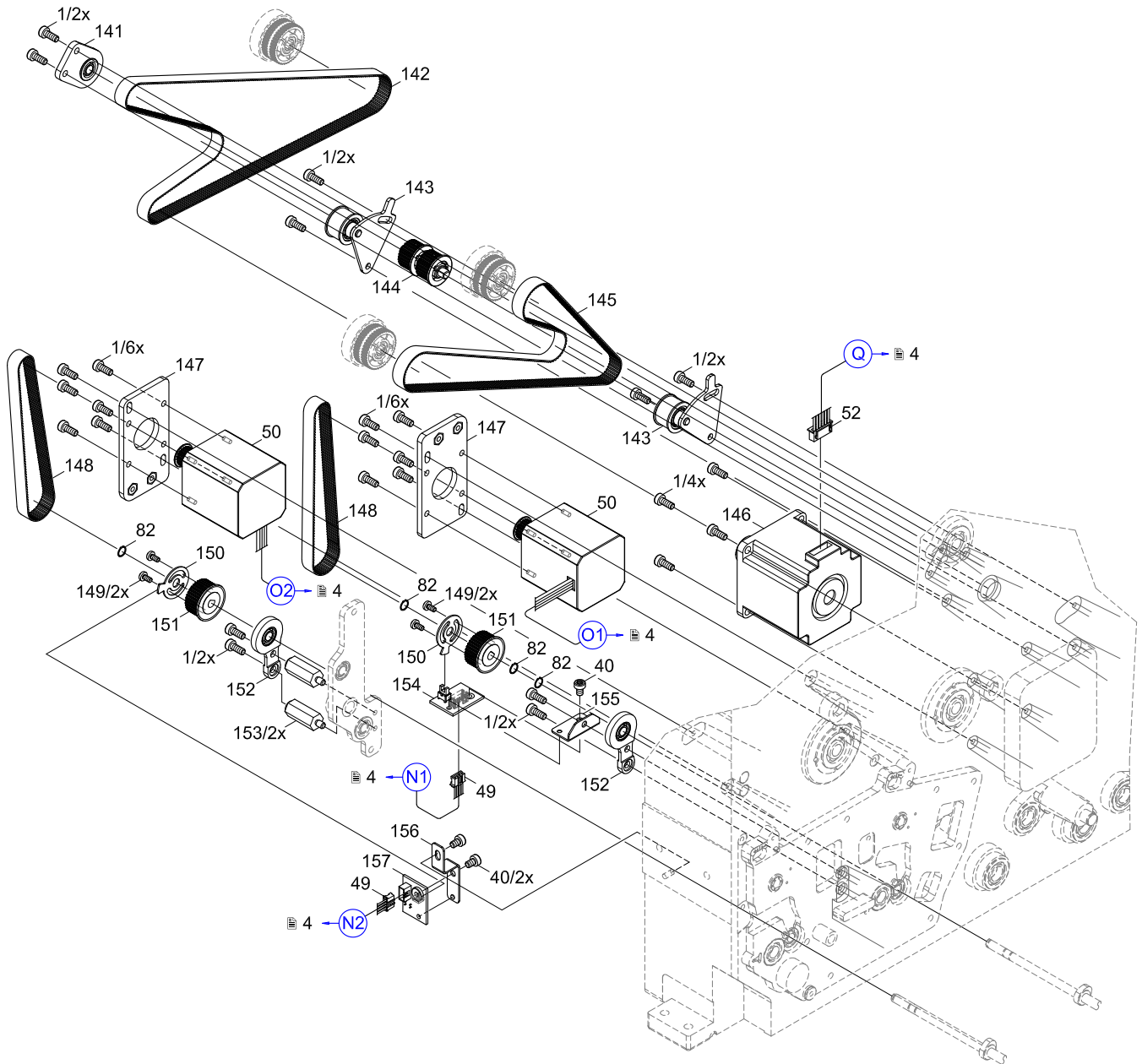
Notes Set Quantity and thickness as necessary from Washer Set PS





No.	Part No.	Description	PU	Notes	Serial No.	
					from	to
1	5902565.001	Screw DIN7984-M4x10	10			
40	5902571.001	Screw DIN7984-M4x6	10			
49	5970537.001	Cable Saver Sensor	1			
50	5969028.001	Stepper Motor	1			
52	5952586.001	Cable Motor	1			
82	5903521.001	Snap Ring DIN471-A6	10			
141	5970407.001	Bearing Plate	1			
142	5905721.001	Belt 340MXL 037	1			
143	5961157.001	Belt Tension Bracket	1			
144	5970498.001	Shaft	1			
145	5906072.001	Belt 295MXL 037	1			
146	5970469.001	Stepper Motor	1			

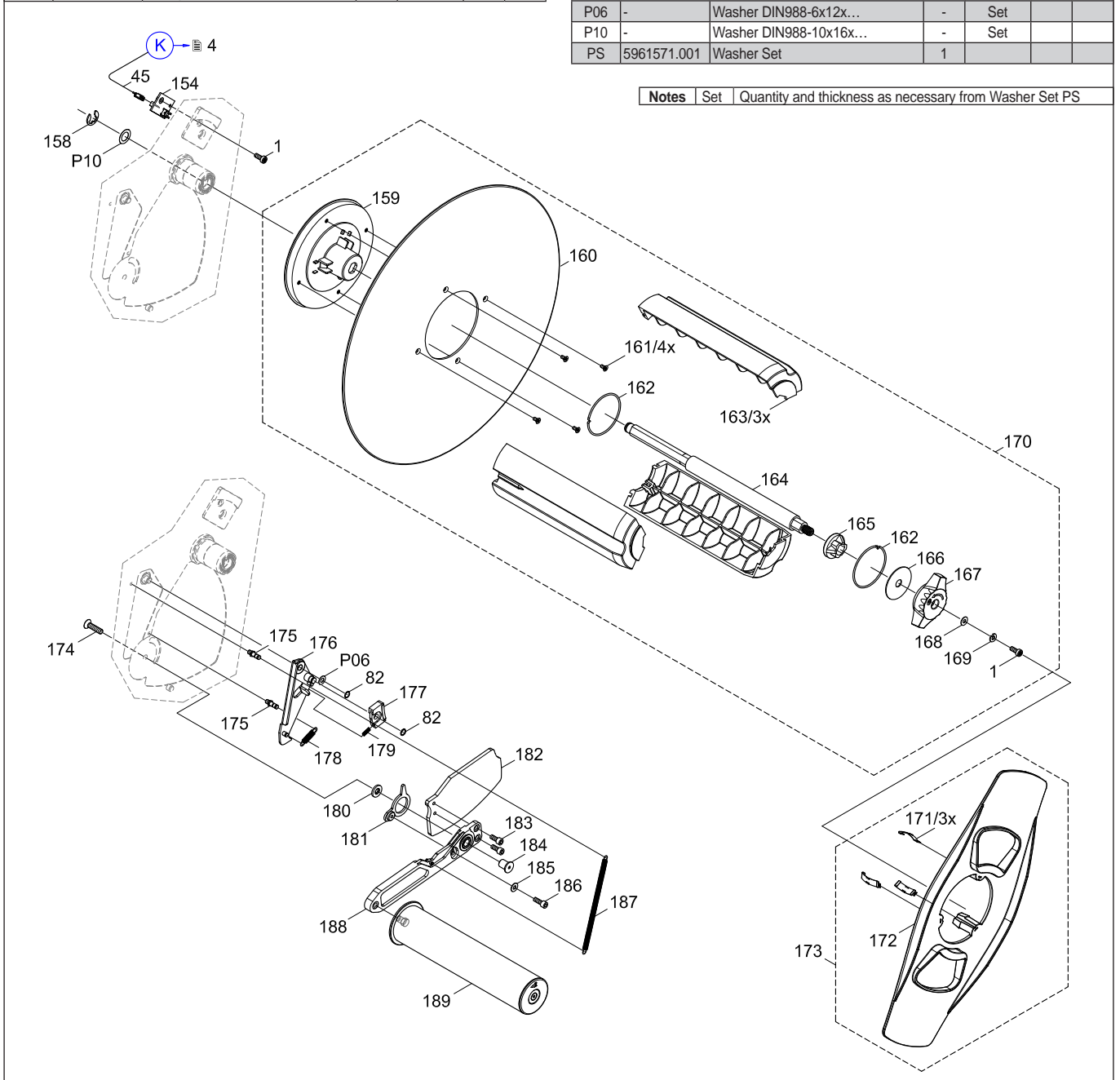
No.	Part No.	Description	PU	Notes	Serial No.	
					from	to
147	5970410.001	Motor Plate	1			
148	5905187.001	Belt 140MXL 037	1			
149	5902433.001	Screw DIN7985-M3x6	10			
150	5970448.001	Clock Wheel	1			
151	5970445.001	Gear 36	1			
152	5970396.001	Bearing Plate	1			
153	5970397.001	Distance Bolt	1			
154	5954024.001	Ribbon Sensor	1			
155	5970414.001	Bracket	1			
156	5970432.001	Bracket	1			
157	5961146.001	Material Sensor	1			



No.	Part No.	Description	PU	Notes	Serial No.	
					from	to
1	5902565.001	Screw DIN7984-M4x10	10			
45	5959308.001	Cable Ribbon Sensor	1			
82	5903521.001	Snap Ring DIN471-A6	10			
154	5954024.001	Ribbon Sensor	1			
158	5903549.001	E-Ring DIN6799-8	10			
159	5958960.001	Cone	1			
160	5961619.001	Wall Spacer	1			
161	5902839.001	Screw DIN7991-M3x6	10			
162	5958969.001	Snap Ring	1			
163	5958988.001	Shell	3			
164	5970468.001	Shaft	1			
165	5958955.001	Cone	1			
166	5961286.001	Washer	1			
167	5953822.001	Set Knob	1			
168	5903122.001	Washer DIN125-A4.3	10			
169	5903029.001	Lock Washer DIN127-B4	10			
170	5970467.001	Unwinder	1			
171	5958977.001	Spring	1			

No.	Part No.	Description	PU	Notes	Serial No.	
					from	to
172	5958983.001	Margin Stop	1			
173	5958984.001	Margin Stop	1			
174	5902250.001	Screw DIN7991-M5x20	10			
175	5955665.001	Spring Bolt	1			
176	5961058.001	Brake Lever	1			
177	5961009.001	Brake Plate	1			
178	5905008.001	Spring	5			
179	5906132.001	Spring	10			
180	5955676.001	Ring	1			
181	5955661.001	Pivot Arm	1			
182	5961049.001	Pendulum	1			
183	5902048.001	Screw DIN912-M4x8	10			
184	5955668.001	Bolt	1			
185	5903003.001	Washer DIN125-A4.3	10			
186	5902489.001	Screw DIN7984-M4x8	10			
187	5906197.001	Spring	1			
188	5961047.001	Lever	1			
189	5961210.001	Belt Roller	1			
P06	-	Washer DIN988-6x12x...	-	Set		
P10	-	Washer DIN988-10x16x...	-	Set		
PS	5961571.001	Washer Set	1			

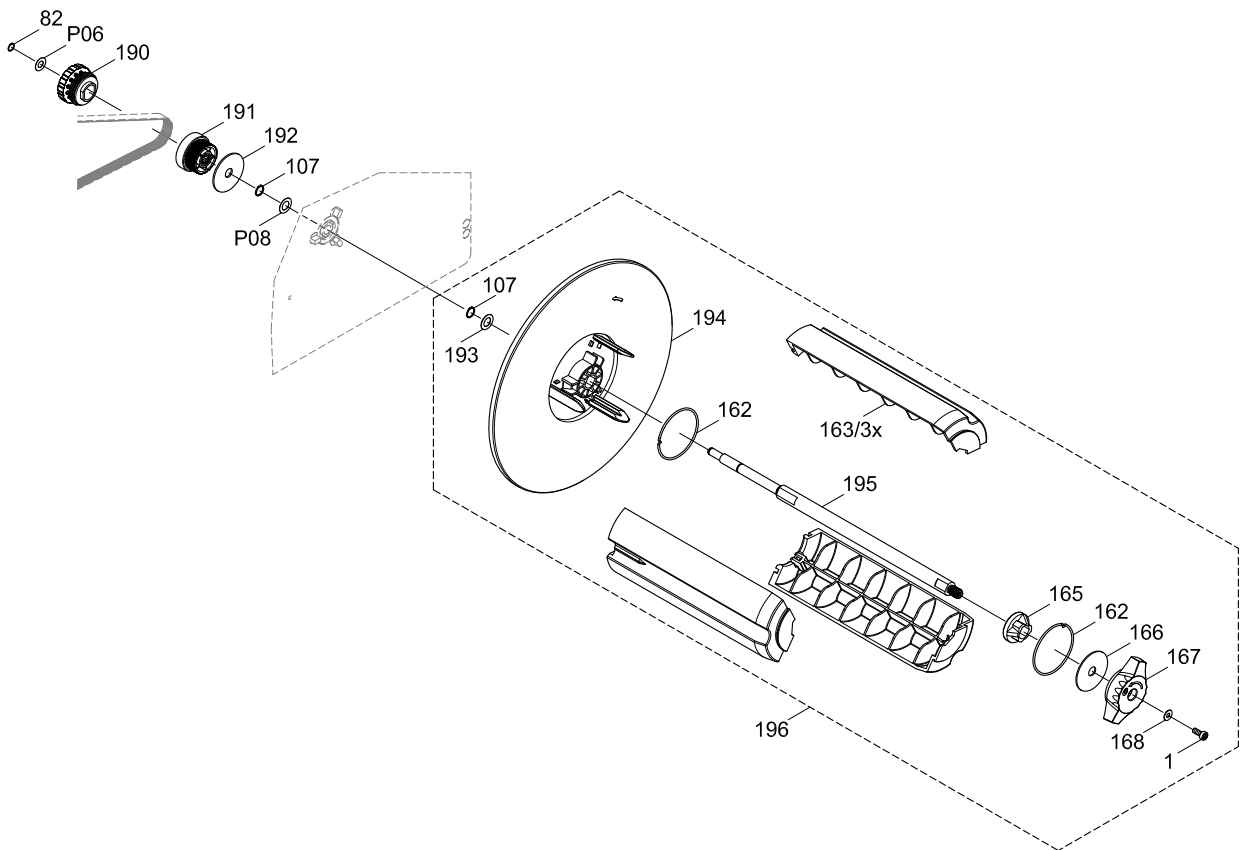
Notes Set Quantity and thickness as necessary from Washer Set PS



No.	Part No.	Description	PU	Notes	Serial No.	
					from	to
1	5902565.001	Screw DIN7984-M4x10	10			
82	5903521.001	Snap Ring DIN471-A6	10			
107	5903516.001	Snap Ring DIN471-8x0.8	10			
162	5958969.001	Snap Ring	1			
163	5958988.001	Shell	3			
165	5958955.001	Cone	1			
166	5961286.001	Washer	1			
167	5953822.001	Set Knob	1			
168	5903122.001	Washer DIN125-A4.3	10			
190	5954146.001	Slipping Clutch	1			

No.	Part No.	Description	PU	Notes	Serial No.	
					from	to
191	5954115.001	Gear 42	1			
192	5903128.001	Washer 35x8.4x1.25	10			
193	5903020.001	Washer DIN988-8x14x0.5	10			
194	5958951.001	Cone 210	1			
195	5970466.001	Shaft	1			
196	5970465.001	Hub	1			
P06	-	Washer DIN988-6x12x...	-	Set		
P08	-	Washer DIN988-8x14x...	-	Set		
PS	5961571.001	Washer Set	1			

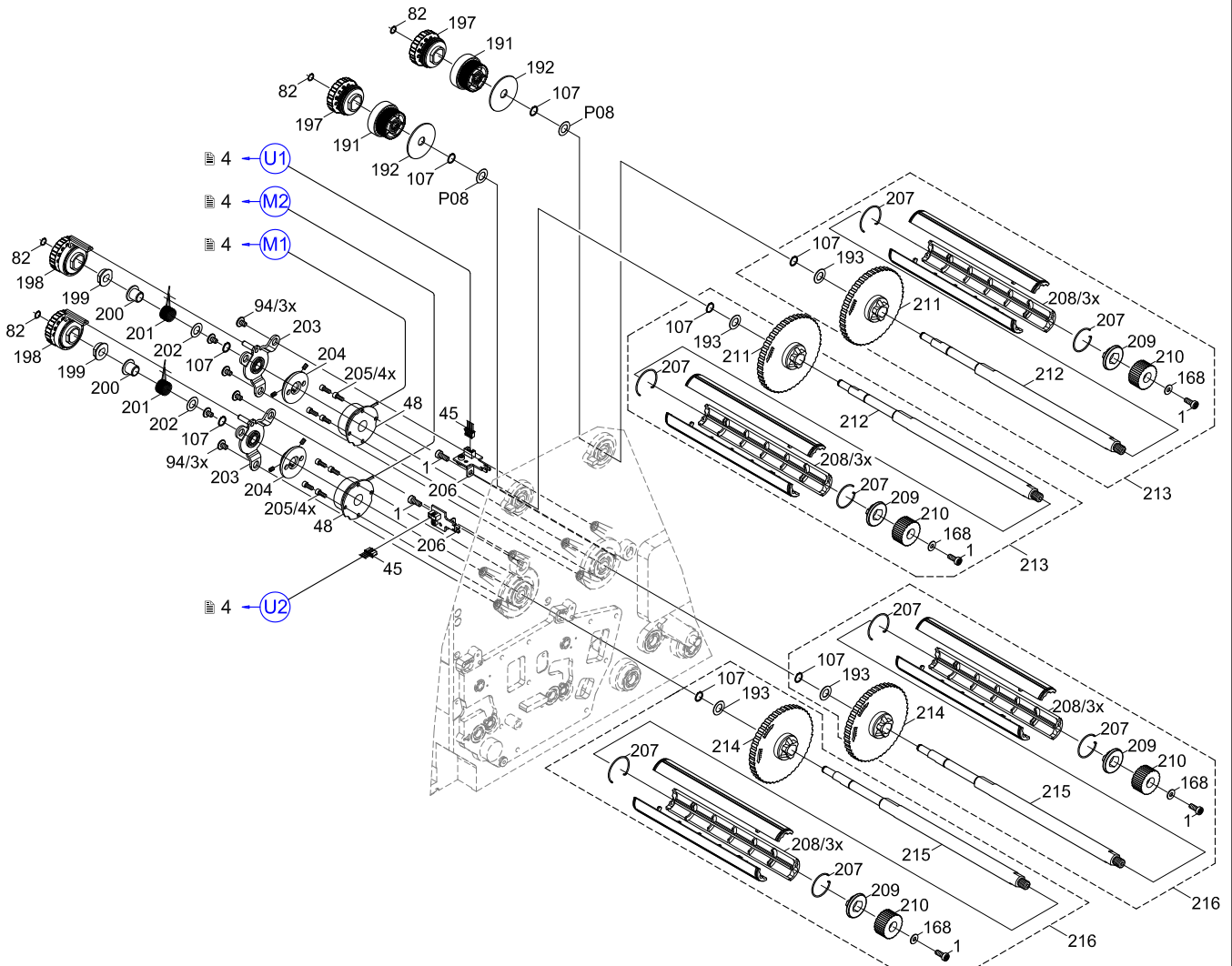
Notes Set Quantity and thickness as necessary from Washer Set PS



No.	Part No.	Description	PU	Notes	Serial No.	
					from	to
1	5902565.001	Screw DIN7984-M4x10	10			
45	5959308.001	Cable Ribbon Sensor	1			
48	5956247.001	Magnetic Clutch	1			
82	5903521.001	Snap Ring DIN471-A6	10			
94	5902817.001	Screw sim. ISO7380-M4x6	10			
107	5903516.001	Snap Ring DIN471-8x0.8	10			
168	5903122.001	Washer DIN125-A4.3	10			
191	5954115.001	Gear 42	1			
192	5903128.001	Washer 35x8.4x1.25	10			
193	5903020.001	Washer DIN988-8x14x0.5	10			
197	5954113.001	Slipping Clutch	1			
198	5954114.001	Brake	1			
199	5541172.001	Pivot Arm	1			
200	5901123.001	Plastic Bushing	10			
201	5954131.001	Spring	5			
202	5903088.001	Washer DIN988-8x14x0.3	10			

No.	Part No.	Description	PU	Notes	Serial No.	
					from	to
203	5956141.001	Counter Bearing	1			
204	5961665.001	Armature	1			
205	5902007.001	Screw DIN912-M3x6	10			
206	5955671.001	Ribbon Sensor	1			
207	5954124.001	Snap Ring	10			
208	5954221.001	Shell	3			
209	5954121.001	Cone	1			
210	5943022.001	Knurled Knob	1			
211	5961042.001	Wall Spacer	1			
212	5961662.001	Axle	1			
213	5961229.001	Ribbon Take-up Hub	1			
214	5961308.001	Wall Spacer	1			
215	5956319.001	Axle	1			
216	5961230.001	Ribbon Supply Hub	1			
P08	-	Washer DIN988-8x14x...	-	Set		
PS	5961571.001	Washer Set	1			

Notes Set Quantity and thickness as necessary from Washer Set PS



Pos.	Figure/Page											No.	Part No.	Description	PU	SPR	Notes	Serial No.		
	1	2	3	4	5	6	7	8	9	10	11							12	from	to
1	3											11	5527178.001	Threaded Plate	1	-				
2	3											9	5527476.001	Hinge	1	-				
3	3											19	5540868.001	LCD Display	1	-				
4	3											23	5540930.001	Navigator Pad	1	-				
5												12	199	5541172.001	Pivot Arm	1	-			
6		4										26	5551205.001	CPU X2	1	B				
7		4										28	5551646.001	Cable I/O	1	-		15808		
8		4										59	5551649.001	Cable Extension	1	-		15808		
9												12	200	5901123.001	Plastic Bushing	10	D			
10												12	205	5902007.001	Screw DIN912-M3x6	10	-			
11			5									70	5902010.001	Screw DIN912-M3x10	10	-				
12			5									74	5902011.001	Screw DIN912-M3x20	10	-				
13									10			183	5902048.001	Screw DIN912-M4x8	10	-				
14		4										56	5902141.001	Bolt A/M3 I/U4	10	-				
15	3											13	5902241.001	Screw DIN7984-M4x10	10	-				
16									10			174	5902250.001	Screw DIN7991-M5x20	10	-				
17	3											15	5902361.001	Screw DIN7984-M6x12	10	-				
18	3											17	5902414.001	Screw EJOT-PT-K30x12	10	-				
19								9				149	5902433.001	Screw DIN7985-M3x6	10	-				
20			5	7								61	5902457.001	Screw DIN7985-M2x10	10	-				
21			5									76	5902474.001	Screw DIN912-M3x16	10	-				
22									10			186	5902489.001	Screw DIN7984-M4x8	10	-				
23				7								95	5902554.001	Screw DIN7991-M4x10	10	-				
24				7								111	5902562.001	Screw DIN7984 M4x14	10	-				
25	3	4	5	6	7	8	9	10	11	12		1	5902565.001	Screw DIN7984-M4x10	10	-				
26		4	5	6				9				40	5902571.001	Screw DIN7984-M4x6	10	-				
27			5	6								62	5902572.001	Screw DIN7984 M4x16	10	-				
28	3											3	5902582.001	Nut DIN439-M4	10	-				
29				6								12	94	5902817.001	Screw sim. ISO7380-M4x6	10	-			
30									10			161	5902839.001	Screw DIN7991-M3x6	10	-				
31			5									67	5902849.001	Screw DIN912-M3x5	10	-				
32									10			185	5903003.001	Washer DIN125-A4.3	10	-				
33		4										44	5903011.001	Toothed Washer DIN6797-A4.3	10	-				
34										11	12	193	5903020.001	Washer DIN988-8x14x0.5	10	-				
35									10			169	5903029.001	Lock Washer DIN127-B4	10	-				
36		4										43	5903033.001	Washer DIN125-A4.3	10	-				
37												12	202	5903088.001	Washer DIN988-8x14x0.3	10	-			
38									10	11	12	168	5903122.001	Washer DIN125-A4.3	10	-				
39			5									66	5903124.001	Washer DIN125-A3.2	10	-				
40										11	12	192	5903128.001	Washer 35x8.4x1.25	10	-				
41					7							102	5903507.001	E-Ring DIN6799-3.2	10	-				
42					7	8				11	12	107	5903516.001	Snap Ring DIN471-8x0.8	10	-				
43						8						129	5903518.001	Snap Ring DIN471-4x0.4	10	-				
44					6	7	8	9	10	11	12	82	5903521.001	Snap Ring DIN471-A6	10	-				
45							8					123	5903527.001	Snap Ring DIN471-10x1	10	-				
46									10			158	5903549.001	E-Ring DIN6799-8	10	-				
47							8					121	5904540.001	Set Screw DIN913-M4x12	10	-				
48				6								91	5904556.001	Set Screw DIN913-M5x6	10	-				
49									10			178	5905008.001	Spring	5	-				
50								9				148	5905187.001	Belt 140MXL 037	1	C				
51								9				142	5905721.001	Belt 340MXL 037	1	C				
52									9			145	5906072.001	Belt 295MXL 037	1	C				
53		4										42	5906082.001	Ferrite	1	-				
54										10		179	5906132.001	Spring	10	-				
55			5									72	5906136.001	Spring	5	-				
56		4										38	5906181.001	Protection Cap	10	-				
57		4										57	5906187.001	Protection Cap	1	-				
58		4										36	5906188.001	Protection Cap	1	-				
59		4										37	5906189.001	Protection Cap	10	-				
60		4										35	5906190.001	Protection Cap	10	-				

PU Package unit

SPR Spare part recommendation

O Option

- A wearing parts and accessories
- B recommended spare parts for quick repair
- C recommended spare parts for distributors
- D recommended spare parts for central stores

Pos.	Figure/Page										No.	Part No.	Description	PU	SPR	Notes	Serial No.		
																	from	to	
61										10		187	5906197.001	Spring	1	-			
62					7							99	5906208.001	Spring	10	-			
63					7							112	5906262.001	Spring	1	-			
64						8						137	5907098.001	Belt 53MXL 037	1	C			
65						8						138	5907100.001	Belt 75MXL 037	1	C			
66						8						127	5907102.001	Belt 364MXL 037	1	C			
67						8						118	5907103.001	Belt 79MXL 037	1	C			
68						8						136	5907104.001	Belt 165MXL 037	1	C			
69	3											21	5917914.001	Cable Control Panel	1	D			
70												12	210	5943022.001	Knurled Knob	1	D		
71		4										33	5943107.001	Cable Power Supply	1	-			
72			5									81	5946113.001	Allen Key	1	-			
73				7								103	5946458.001	Axle	1	-			
74		4					9					52	5952586.001	Cable Motor	1	D			
75					7	8						96	5953788.001	Eccentric	1	-			
76								10	11			167	5953822.001	Set Knob	1	-			
77							9	10				154	5954024.001	Ribbon Sensor	1	C			
78			5									73	5954060.001	Pivot Arm	1	-			
79												12	197	5954113.001	Slipping Clutch	1	B		
80												12	198	5954114.001	Brake	1	B		
81										11		12	191	5954115.001	Gear 42	1	-		
82												12	209	5954121.001	Cone	1	D		
83												12	207	5954124.001	Snap Ring	10	B		
84												12	201	5954131.001	Spring	5	-		
85	3											5	5954132.001	Strip	5	-			
86											11	190	5954146.001	Slipping Clutch	1	B			
87												12	208	5954221.001	Shell	3	D		
88				6								86	5954242.001	Roller	1	-			
89				6								84	5954245.001	Drive Roller DR6	1	A			
90	3											22	5955034.001	PCB Navi Button	1	C			
91	3	4										25	5955035.001	Cable Display	1	C			
92			4									41	5955046.001	Power Input Module	1	-			
93	3											20	5955551.001	Chassis	1	-			
94	3											18	5955552.001	Guide	1	-			
95					7							104	5955627.001	Guide	1	-			
96										10		181	5955661.001	Pivot Arm	1	-			
97										10		175	5955665.001	Spring Bolt	1	-			
98										10		184	5955668.001	Bolt	1	-			
99											12	206	5955671.001	Ribbon Sensor	1	-			
100										10		180	5955676.001	Ring	1	-			
101				6								89	5955708.001	Guide	1	-			
102											12	203	5956141.001	Counter Bearing	1	-			
103		4										39	5956220.001	Power Supply	1	B			
104		4										12	48	5956247.001	Magnetic Clutch	1	C		
105						8						128	5956271.001	Belt Roller	1	-			
106				6								85	5956288.001	Peel-off Edge	1	-			
107											12	215	5956319.001	Axle	1	-			
108			5									68	5956361.001	Printhead Locking System	1	-			
109										11		194	5958951.001	Cone 210	1	-			
110										10	11	165	5958955.001	Cone	1	-			
111										10		159	5958960.001	Cone	1	-			
112										10	11	162	5958969.001	Snap Ring	1	B			
113										10		171	5958977.001	Spring	1	-			
114										10		172	5958983.001	Margin Stop	1	-			
115										10		173	5958984.001	Margin Stop	1	-			
116										10	11	163	5958988.001	Shell	3	-			
117			4									29	5959304.001	Cable	1	D			
118			4							10	12	45	5959308.001	Cable Ribbon Sensor	1	C			
119	3											6	5959570.001	Cover	1	-			
120			5									71	5959726.001	Screw Fastening	1	-			

PU Package unit

SPR Spare part recommendation

O Option

A wearing parts and accessories  
 B recommended spare parts for quick repair  
 C recommended spare parts for distributors  
 D recommended spare parts for central stores

Pos.	Figure/Page										No.	Part No.	Description	PU	SPR	Notes	Serial No.			
																	from	to		
121	3										24	5960139.001	Control Panel	1	C					
122				7							114	5960168.001	Spring Bolt	1	-					
123										10	177	5961009.001	Brake Plate	1	C					
124					8						119	5961011.001	Gear 29	1	-					
125											12	211	5961042.001	Wall Spacer	1	-				
126										10	188	5961047.001	Lever	1	-					
127										10	182	5961049.001	Pendulum	1	-					
128										10	176	5961058.001	Brake Lever	1	-					
129	3										4	5961073.001	Spring	1	-					
130										9	157	5961146.001	Material Sensor	1	-					
131										9	143	5961157.001	Belt Tension Bracket	1	-					
132										10	189	5961210.001	Belt Roller	1	-					
133				6							90	5961218.001	Label Sensor	1	B					
134					7						110	5961220.001	Roller ZR6	1	A					
135						7					108	5961223.001	Shaft	1	-					
136							7				106	5961226.001	Belt Roller	1	-					
137					6						88	5961227.001	Spindle	1	-					
138											12	213	5961229.001	Ribbon Take-up Hub	1	-				
139											12	216	5961230.001	Ribbon Supply Hub	1	-				
140							7				98	5961265.001	Locking System	1	-					
141								7			100	5961267.001	Screw	1	-					
142									7		105	5961270.001	Link	1	-					
143										7	101	5961276.001	Lever	1	-					
144										10	11	166	5961286.001	Washer	1	-				
145										8		140	5961306.001	Stepper Motor	1	C				
146											12	214	5961308.001	Wall Spacer	1	-				
147					6	7	8				10	11	12	PS	5961571.001	Washer Set	1	-		
148												10	160	5961619.001	Wall Spacer	1	-			
149						5							63	5961644.001	Antistatic Brush 4L	1	-			
150											12	212	5961662.001	Axle	1	-				
151											12	204	5961665.001	Armature	1	-				
152													58	5961748.001	PCB I/O Interface	1	C		15808	
153													27	5965471.001	Cable Control Panel	1	D			
154													65	5969011.001	Spring	1	-			
155													50	5969028.001	Stepper Motor	1	C			
156													75	5970371.001	Printhead Mounting Bracket	1	-			
157													64	5970378.001	Profile	1	-			
158													139	5970379.001	Shaft	1	-			
159													135	5970381.001	Shaft	1	-			
160													78	5970384.001	Side Plate	1	-			
161													134	5970386.001	Bearing Plate	1	-			
162													132	5970387.001	Shaft	1	-			
163													152	5970396.001	Bearing Plate	1	-			
164													153	5970397.001	Distance Bolt	1	-			
165													131	5970398.001	Shaft	1	-			
166													130	5970400.001	Bearing Plate	1	-			
167													113	5970402.001	Lever	1	-			
168													115	5970405.001	Bearing Plate	1	-			
169													141	5970407.001	Bearing Plate	1	-			
170													147	5970410.001	Motor Plate	1	-			
171													126	5970413.001	Belt Tension Bracket	1	-			
172													155	5970414.001	Bracket	1	-			
173													133	5970417.001	Belt Tension Bracket	1	-			
174													92	5970419.001	Side Plate	1	-			
175													83	5970422.001	Profile	1	-			
176													93	5970424.001	Bearing	1	-			
177	3												2	5970427.001	Cover	1	-			
178													156	5970432.001	Bracket	1	-			
179													124	5970435.001	Shaft	1	-			
180													125	5970436.001	Gear Wheel 40	1	-			

- PU Package unit
- SPR Spare part recommendation
- O Option
- A wearing parts and accessories
- B recommended spare parts for quick repair
- C recommended spare parts for distributors
- D recommended spare parts for central stores

Pos.	Figure/Page								No.	Part No.	Description	PU	SPR	Notes	Serial No.	
															from	to
181							8		122	5970439.001	Gear 48	1	-			
182							9		151	5970445.001	Gear 36	1	-			
183			5						79	5970446.001	Lever	1	-			
184							9		150	5970448.001	Clock Wheel	1	-			
185				6					87	5970454.001	Eccentric	1	D			
186			5						80	5970456.001	Printhead Retainer Screw	1	-			
187				7					116	5970462.001	Shaft	1	-			
188				7					109	5970463.001	Axle	1	-			
189				7					117	5970464.001	Axle	1	-			
190								11	196	5970465.001	Hub	1	-			
191								11	195	5970466.001	Shaft	1	-			
192								10	170	5970467.001	Unwinder	1	-			
193								10	164	5970468.001	Shaft	1	-			
194							9		146	5970469.001	Stepper Motor	1	C			
195			4						47	5970472.001	PCB Electronics	1	C			
196	3								16	5970474.001	Cover	1	-	O		
197	3								14	5970475.001	Cover	1	-	O		
198			5						77	5970480.001	Printhead 6/300	1	A			
199				7					97	5970493.001	Side Plate	1	-			
200							9		144	5970498.001	Shaft	1	-			
201	3								10	5970521.001	Plate	1	-			
202			4						31	5970522.001	Cable Printhead	1	-			
203							8		120	5970528.001	Bearing Plate	1	-			
204	3								12	5970529.001	Cover Clamp	1	-			
205			4	5					54	5970530.001	Cable Printhead	1	D			
206			4	5					55	5970531.001	Cable Printhead	1	D			
207			4	5					53	5970532.001	Printhead Switch	1	C			
208			4		6				51	5970533.001	Cable Label Sensor	1	D			
209			4			7			60	5970534.001	Switch Transport System	1	C			
210			4						46	5970535.001	Cable Periphery	1	D			
211			4						30	5970536.001	Cable RS232	1	D			
212			4				9		49	5970537.001	Cable Saver Sensor	1	D			
213			4						32	5970538.001	Cable Printhead	1	D			
214			4				8		34	5970539.001	Cable Motor	1	D			
215	3								8	5977725.001	Screw M5x10	10	-			
216	3								7	5977726.001	Screw M5x14	10	-			
217				5					69	5984348.001	Roller Ribbon	1	-			
218			4						58*	6012202	Conversion Kit I/O Hermes C	1	-			15807

## 12 Packaging/Accessories

Pos.	Figure/Page								No.	Part No.	Description	PU	SPR	Notes	Serial No.	
															from	to
219									-	5550611.001	Power Cable Type E+F	1	-			
220									-	5901655.001	Cable USB	1	-			
221									-	5906213.001	Screwdriver	1	-			
222									-	9109319.001	Packaging	1	-			

PU Package unit

SPR Spare part recommendation

O Option

A wearing parts and accessories  
 B recommended spare parts for quick repair  
 C recommended spare parts for distributors  
 D recommended spare parts for central stores