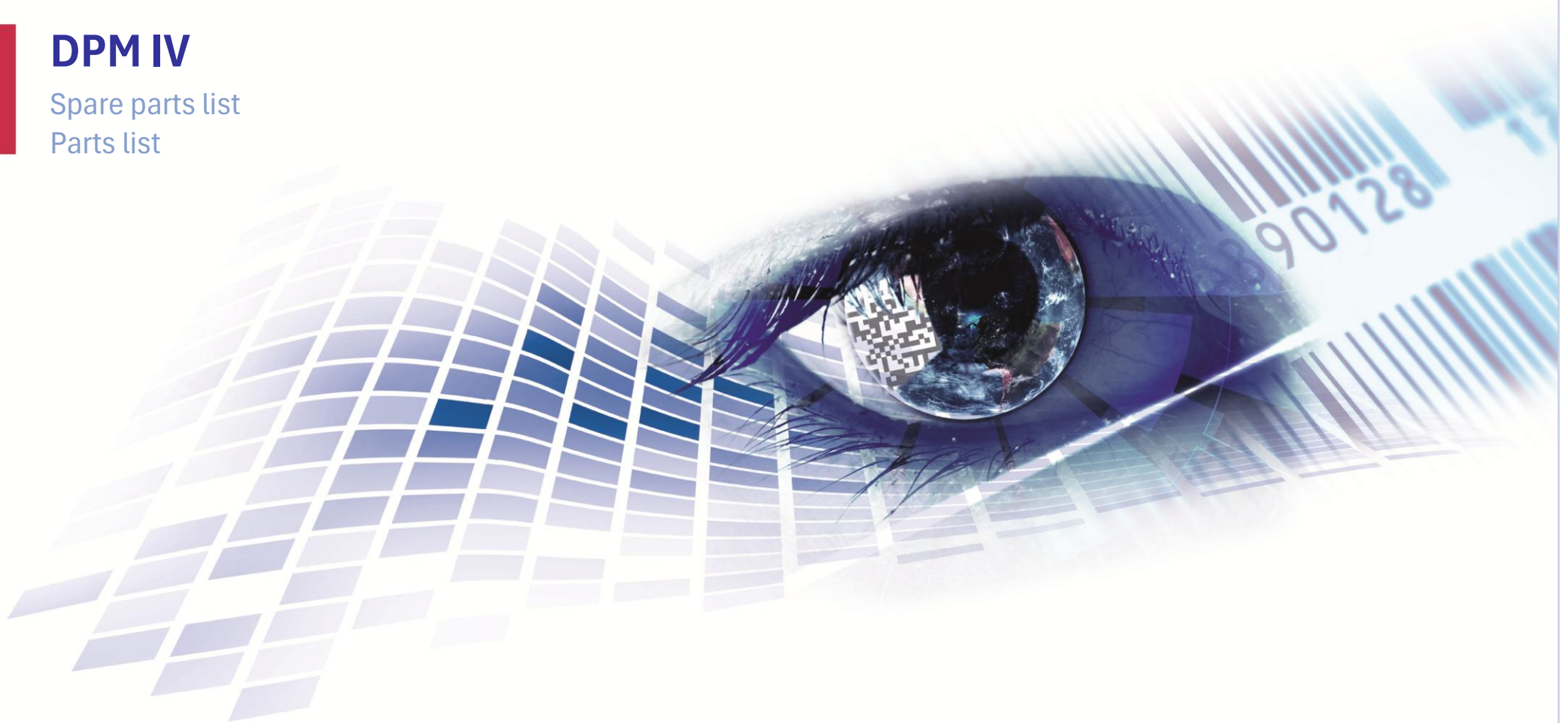


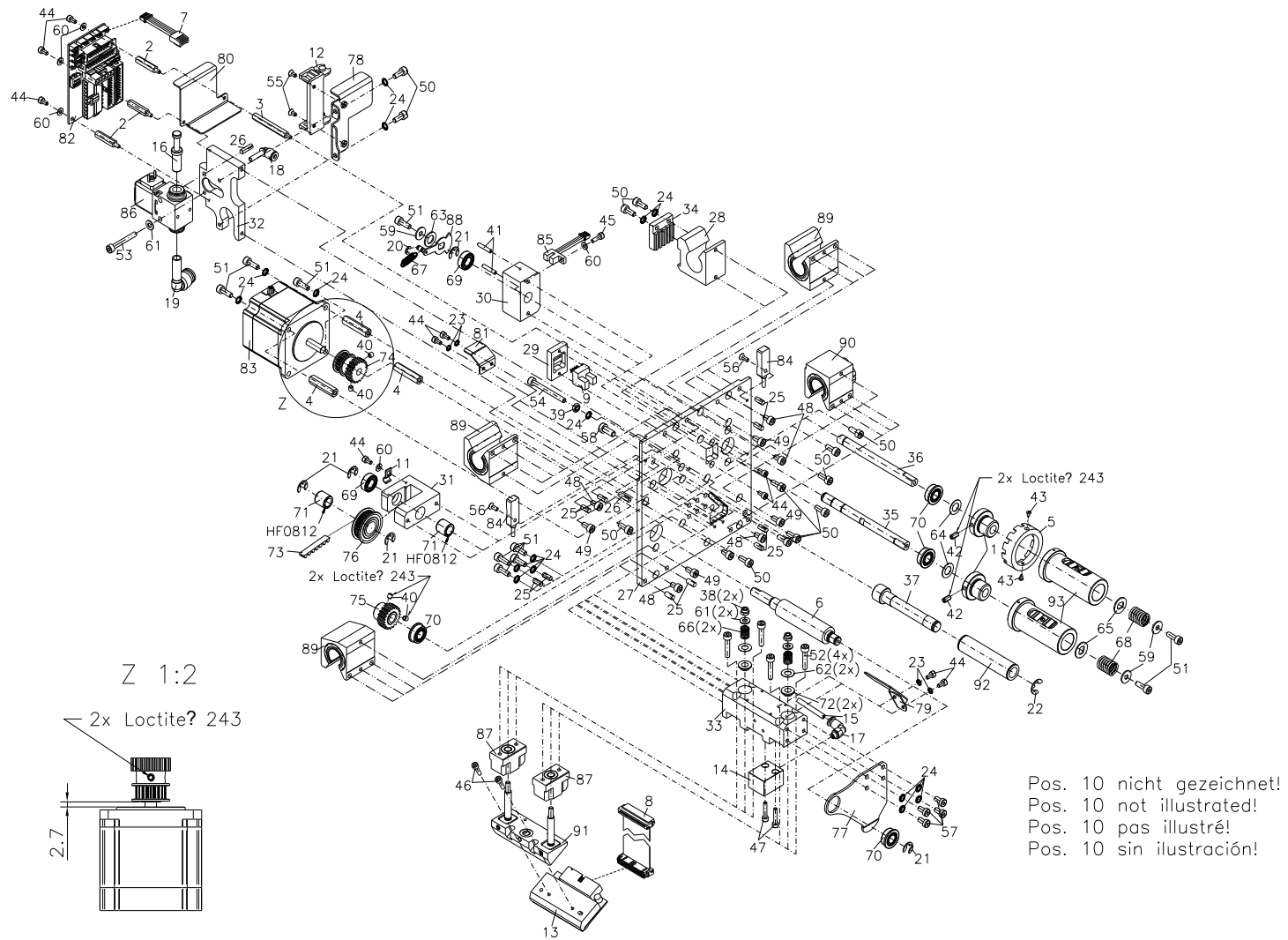
## DPM IV

Spare parts list  
Parts list



# 71.68.190

## Print carriage DPM IV 53-12, right



## 71.68.190

### Print carriage DPM IV 53-12, right

Pos	Ident-No.	Description1	Description2	Quantity
1	10.88.001	Bearing bush	Spectra/SPE/DPM/SPX/Vita/Flexicode/ILX/ALP	2
2	12.40.322	Distance bolt M3x22.5		3
3	12.40.341	DISTANCE BOLT M3 X 41		1
4	12.40.431	DISTANCE BOLT M4 X 30		3
5	16.88.055	Sprocket wheel	Spectra/SPE/DPM/Vario/SPX/Vita/Flexicode/ALP	1
6	18.68.100	Drive roller	DPM IV 53	1
7	28.68.025	Connecting cable, encoder-carriage board	DPM IV/ALP	1
8*	28.68.105	Printhead cable, data signals	DPM IV 53	1
9	31.03.035	Photocell		1
10	35.01.002	Cable joint 100x2.5 mm		3
11	35.01.006	Mounting bracket 4 mm		1
12	35.06.0521	Attachment accessory shortened	DPM IV	1
13	37.04.0539	Thermal printhead 53-12	DPM IV, including coating	1
14*	37.67.001	Short-stroke cylinder	DPM III/Dynacode/Flexicode/DPM IV	1
15*	37.67.025	Pneumatic tube 4 mm	DPM III/Dynacode/APX, in meters	0,08m
16	37.67.040	Locking plug 8 mm		1
17	37.67.062	L-screw joint connector 4 mm/M5		1
18	37.67.089	Connection 4 mm		1
19	37.67.092	Connection 8 mm		1
20	40.01.003V	Shaft protection 3.2 mm stainless		1
21	40.01.006V	Shaft protection 6 mm stainless		5
22	40.01.007V	Shaft protection 7 mm stainless		1
23	41.03.003V	Lock washer M3 stainless		4
24	41.03.004V	Lock washer M4 stainless		16
25	42.13.410V	TAPER PIN 4x10 S2 DIN 1472		10
26	42.13.414V	Grooved pin 4 x 14 mm		2

\*Recommended spare part

## 71.68.190

### Print carriage DPM IV 53-12, right

Pos	Ident-No.	Description1	Description2	Quantity
27	45.68.002	Carrier plate		1
28	45.68.042	Clamping piece	DPM IV	1
29	45.68.050	BRACKET FOR RIBBON PHOTO CELL		1
30	45.68.052	BRACKET FOR RIBBON UNWINDER		1
31	45.68.054	BRACKET FOR RIBBON REWINDER		1
32	45.68.061	BRACKET FOR VALVE		1
33	45.68.105	BRACKET		1
34	45.77.090	Belt tensioner upper part	DPM II/DPM III/DPM IV	1
35	46.68.100	Ribbon rewinding shaft	DPM IV 53	1
36	46.68.105	Ribbon unwinding shaft	DPM IV 53	1
37	46.79.115	Bearing pillar		1
38	47.03.004V	Hexagon nut M4 stainless		2
39	47.05.001V	Hexagon nut M4 stainless		1
40	48.10.005V	Setscrew M4x4 stainless		4
41	48.10.006V	SCREW M3X16 DIN913		2
42	48.10.408V	Setscrew M4x8 stainless		2
43	48.13.212	Screw 22x4.5		2
44	48.16.306V	Socket cap screw M3x6 stainless		10
45	48.16.310V	Socket cap screw M3x10 stainless		1
46	48.16.312V	Socket cap screw M3x12 stainless		2
47	48.16.316V	Socket cap screw M3x16 stainless		2
48	48.16.406V	Socket cap screw M4x6 stainless		6
49	48.16.408V	Socket cap screw M4x8 stainless		4
50	48.16.410V	Socket cap screw M4x10 stainless		13
51	48.16.412V	Socket cap screw M4x12 stainless		10
52	48.16.420V	Socket cap screw M4x20 stainless		4

\*Recommended spare part

## 71.68.190

### Print carriage DPM IV 53-12, right

Pos	Ident-No.	Description1	Description2	Quantity
53	48.16.430V	Socket cap screw M4x30 stainless		1
54	48.16.440V	Socket cap screw M4x40 stainless		1
55	48.19.306V	Socket cap screw M3x6 stainless		2
56	48.19.308V	Socket cap screw M3x8 stainless		2
57	48.20.408V	Socket cap screw M4x8 stainless		4
58	48.20.512V	Socket cap screw M5x12 stainless		1
59	50.01.046V	Lock washer M4 stainless		3
60	50.01.057V	Washer 3.2 stainless		5
61	50.01.065V	Lock washer 4.3 stainless		3
62	50.50.602	Washer 6x12x0.2		2
63	50.50.810	Washer 8x14x1.0		1
64	50.55.001	Washer 8x14x0.5		2
65*	50.88.001	Striker arm plate	Spectra/SPE/SPX/DPM III+IV/Vario II/Vita/FC/ALP	2
66	52.55.005	Compression spring	Vario/DPM III/DPM IV	2
67*	52.55.010	Tension spring		1
68*	52.88.005	Compression spring	Spectra/DPM/SPE/Vario/SPX/Vita/Flexicode/ALP	2
69*	57.01.005	Grooved ball bearing		2
70*	57.01.007	Grooved ball bearing		4
71*	57.01.015	Free-wheel HF 0812		2
72*	57.02.017	Slide bearing	DPM IV	2
73*	59.55.144	Toothed belt	Vario/DPM III c/DPM IV	1
74	59.68.018	DRIVING GEAR	FOR DPM IV	1
75	59.68.020	COGGED BELT	FOR DPM IV	1
76	59.68.028	COGGED BELT DRIVE	FOR DPM IV	1
77	67.68.030	Sole plate		1
78	67.68.041	ANGLE FOR CHAIN		1

\*Recommended spare part

## 71.68.190

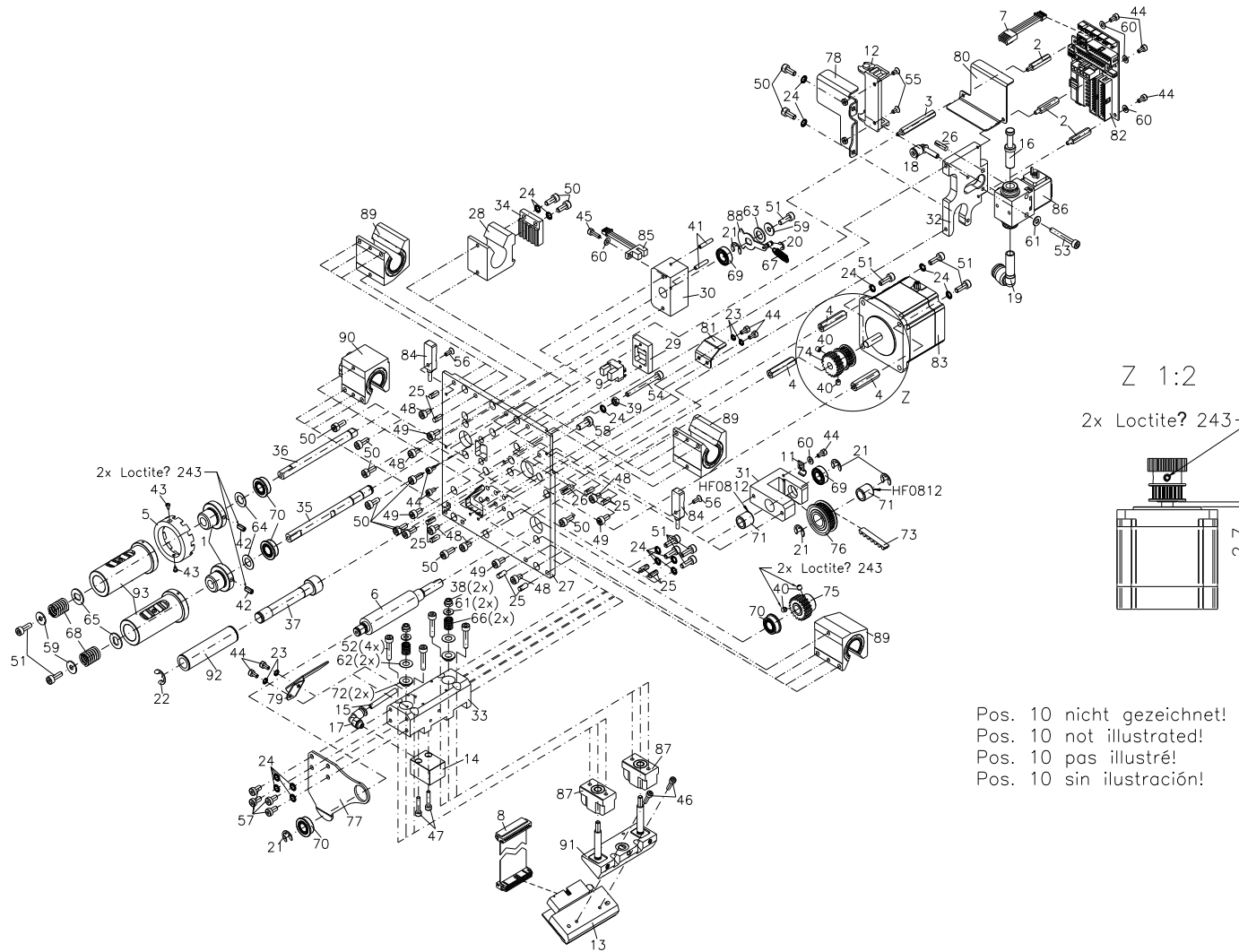
### Print carriage DPM IV 53-12, right

Pos	Ident-No.	Description1	Description2	Quantity
79	67.68.054	CABLE BRACKET	FOR DPM IV	1
80	67.68.058	CABLE GUIDING	FOR DPM IV	1
81	67.68.074	PROTECTIVE PLATE		1
82	70.39.621	Circuit board carriage cpl, right	DPM IV	1
83	71.68.005	Rewinding motor cpl left/right	DPM IV	1
84*	71.68.020	Start position sensor/End position sensor	DPM IV	2
85*	71.68.040	Ribbon photocell return/stop	DPM IV/LPM II/ALP	1
86*	71.79.020	Valve cpl	Flexicode/DPM IV	1
87*	72.68.046	Bearing 12 mm cpl	DPM IV	2
88	72.68.064	Backfeed plate cpl	DPM IV	1
89*	72.68.080	Bearing open cpl	DPM IV	3
90*	72.68.082	Bearing open short cpl	DPM IV, right	1
91	72.68.100	Printhead bracket cpl	DPM IV 53	1
92*	72.79.110	Return pulley cpl	Flexicode 53	1
93*	72.79.125	Ribbon rewinding/unwinding roller cpl	Flexicode 53	2

\*Recommended spare part

# 71.68.195

## Print carriage DPM IV 53-12, left



## 71.68.195

### Print carriage DPM IV 53-12, left

Pos	Ident-No.	Description1	Description2	Quantity
1	10.88.001	Bearing bush	Spectra/SPE/DPM/SPX/Vita/Flexicode/ILX/ALP	2
2	12.40.322	Distance bolt M3x22.5		3
3	12.40.341	DISTANCE BOLT M3 X 41		1
4	12.40.431	DISTANCE BOLT M4 X 30		3
5	16.88.055	Sprocket wheel	Spectra/SPE/DPM/Vario/SPX/Vita/Flexicode/ALP	1
6	18.68.100	Drive roller	DPM IV 53	1
7	28.68.025	Connecting cable, encoder-carriage board	DPM IV/ALP	1
8*	28.68.105	Printhead cable, data signals	DPM IV 53	1
9	31.03.035	Photocell		1
10	35.01.002	Cable joint 100x2.5 mm		3
11	35.01.006	Mounting bracket 4 mm		1
12	35.06.0521	Attachment accessory shortened	DPM IV	1
13	37.04.0539	Thermal printhead 53-12	DPM IV, including coating	1
14*	37.67.001	Short-stroke cylinder	DPM III/Dynacode/Flexicode/DPM IV	1
15*	37.67.025	Pneumatic tube 4 mm	DPM III/Dynacode/APX, in meters	0,08m
16	37.67.040	Locking plug 8 mm		1
17	37.67.062	L-screw joint connector 4 mm/M5		1
18	37.67.089	Connection 4 mm		1
19	37.67.092	Connection 8 mm		1
20	40.01.003V	Shaft protection 3.2 mm stainless		1
21	40.01.006V	Shaft protection 6 mm stainless		5
22	40.01.007V	Shaft protection 7 mm stainless		1
23	41.03.003V	Lock washer M3 stainless		4
24	41.03.004V	Lock washer M4 stainless		16
25	42.13.410V	TAPER PIN 4x10 S2 DIN 1472		10
26	42.13.414V	Grooved pin 4 x 14 mm		2

\*Recommended spare part

## 71.68.195

### Print carriage DPM IV 53-12, left

Pos	Ident-No.	Description1	Description2	Quantity
27	45.68.006	Carrier plate		1
28	45.68.042	Clamping piece	DPM IV	1
29	45.68.050	BRACKET FOR RIBBON PHOTO CELL		1
30	45.68.052	BRACKET FOR RIBBON UNWINDER		1
31	45.68.054	BRACKET FOR RIBBON REWINDER		1
32	45.68.061	BRACKET FOR VALVE		1
33	45.68.105	BRACKET		1
34	45.77.090	Belt tensioner upper part	DPM II/DPM III/DPM IV	1
35	46.68.100	Ribbon rewinding shaft	DPM IV 53	1
36	46.68.105	Ribbon unwinding shaft	DPM IV 53	1
37	46.79.115	Bearing pillar		1
38	47.03.004V	Hexagon nut M4 stainless		2
39	47.05.001V	Hexagon nut M4 stainless		1
40	48.10.005V	Setscrew M4x4 stainless		4
41	48.10.006V	SCREW M3X16 DIN913		2
42	48.10.408V	Setscrew M4x8 stainless		2
43	48.13.212	Screw 22x4.5		2
44	48.16.306V	Socket cap screw M3x6 stainless		10
45	48.16.310V	Socket cap screw M3x10 stainless		1
46	48.16.312V	Socket cap screw M3x12 stainless		2
47	48.16.316V	Socket cap screw M3x16 stainless		2
48	48.16.406V	Socket cap screw M4x6 stainless		6
49	48.16.408V	Socket cap screw M4x8 stainless		4
50	48.16.410V	Socket cap screw M4x10 stainless		13
51	48.16.412V	Socket cap screw M4x12 stainless		10
52	48.16.420V	Socket cap screw M4x20 stainless		4

\*Recommended spare part

## 71.68.195

### Print carriage DPM IV 53-12, left

Pos	Ident-No.	Description1	Description2	Quantity
53	48.16.430V	Socket cap screw M4x30 stainless		1
54	48.16.440V	Socket cap screw M4x40 stainless		1
55	48.19.306V	Socket cap screw M3x6 stainless		2
56	48.19.308V	Socket cap screw M3x8 stainless		2
57	48.20.408V	Socket cap screw M4x8 stainless		4
58	48.20.512V	Socket cap screw M5x12 stainless		1
59	50.01.046V	Lock washer M4 stainless		3
60	50.01.057V	Washer 3.2 stainless		5
61	50.01.065V	Lock washer 4.3 stainless		3
62	50.50.602	Washer 6x12x0.2		2
63	50.50.810	Washer 8x14x1.0		1
64	50.55.001	Washer 8x14x0.5		2
65*	50.88.001	Striker arm plate	Spectra/SPE/SPX/DPM III+IV/Vario II/Vita/FC/ALP	2
66	52.55.005	Compression spring	Vario/DPM III/DPM IV	2
67*	52.55.010	Tension spring		1
68*	52.88.005	Compression spring	Spectra/DPM/SPE/Vario/SPX/Vita/Flexicode/ALP	2
69*	57.01.005	Grooved ball bearing		2
70*	57.01.007	Grooved ball bearing		4
71*	57.01.015	Free-wheel HF 0812		2
72*	57.02.017	Slide bearing	DPM IV	2
73*	59.55.144	Toothed belt	Vario/DPM III c/DPM IV	1
74	59.68.018	DRIVING GEAR	FOR DPM IV	1
75	59.68.020	COGGED BELT	FOR DPM IV	1
76	59.68.028	COGGED BELT DRIVE	FOR DPM IV	1
77	67.68.035	Sole plate		1
78	67.68.043	ANGLE FOR CHAIN		1

\*Recommended spare part

## 71.68.195

### Print carriage DPM IV 53-12, left

Pos	Ident-No.	Description1	Description2	Quantity
79	67.68.056	CABLE BRACKET	FOR DPM IV	1
80	67.68.060	CABLE GUIDING	FOR DPM IV	1
81	67.68.074	PROTECTIVE PLATE		1
82	70.39.620	Circuit board carriage cpl, left	DPM IV	1
83	71.68.005	Rewinding motor cpl left/right	DPM IV	1
84*	71.68.020	Start position sensor/End position sensor	DPM IV	2
85*	71.68.040	Ribbon photocell return/stop	DPM IV/LPM II/ALP	1
86*	71.79.020	Valve cpl	Flexicode/DPM IV	1
87*	72.68.046	Bearing 12 mm cpl	DPM IV	2
88	72.68.064	Backfeed plate cpl	DPM IV	1
89*	72.68.080	Bearing open cpl	DPM IV	3
90	72.68.083	Bearing open short cpl	DPM IV, left	1
91	72.68.100	Printhead bracket cpl	DPM IV 53	1
92*	72.79.110	Return pulley cpl	Flexicode 53	1
93*	72.79.125	Ribbon rewinding/unwinding roller cpl	Flexicode 53	2

\*Recommended spare part



## 71.68.290

### Print carriage DPM IV 107-12, right

Pos	Ident-No.	Description1	Description2	Quantity
1	10.88.001	Bearing bush	Spectra/SPE/DPM/SPX/Vita/Flexicode/ILX/ALP	2
2	12.40.322	Distance bolt M3x22.5		3
3	12.40.341	DISTANCE BOLT M3 X 41		1
4	12.40.431	DISTANCE BOLT M4 X 30		3
5	16.88.055	Sprocket wheel	Spectra/SPE/DPM/Vario/SPX/Vita/Flexicode/ALP	1
6	18.68.200	Drive roller	DPM IV 107	1
7	28.68.025	Connecting cable, encoder-carriage board	DPM IV/ALP	1
8*	28.68.110	Printhead cable, data signals	DPM IV 107/128, right	1
9*	28.68.120	Printhead cable, power cable	DPM IV 107/DPM IV 128, right	1
10	31.03.035	Photocell		1
11	35.01.002	Cable joint 100x2.5 mm		3
12	35.01.006	Mounting bracket 4 mm		1
13	35.06.0521	Attachment accessory shortened	DPM IV	1
14	36.13.245	T-screw joint connector 4 mm		1
15	37.04.1019	Thermal printhead 107-12	DPM IV including coating	1
16*	37.67.001	Short-stroke cylinder	DPM III/Dynacode/Flexicode/DPM IV	2
17*	37.67.025	Pneumatic tube 4 mm	DPM III/Dynacode/APX, in meters	0,13m
18	37.67.040	Locking plug 8 mm		1
19	37.67.062	L-screw joint connector 4 mm/M5		1
20	37.67.089	Connection 4 mm		1
21	37.67.092	Connection 8 mm		1
22	40.01.003V	Shaft protection 3.2 mm stainless		1
23	40.01.006V	Shaft protection 6 mm stainless		5
24	40.01.007V	Shaft protection 7 mm stainless		1
25	41.03.003V	Lock washer M3 stainless		2
26	41.03.004V	Lock washer M4 stainless		16

\*Recommended spare part

## 71.68.290

### Print carriage DPM IV 107-12, right

Pos	Ident-No.	Description1	Description2	Quantity
27	42.13.410V	TAPER PIN 4x10 S2 DIN 1472		10
28	42.13.414V	Grooved pin 4 x 14 mm		2
29	45.68.002	Carrier plate		1
30	45.68.042	Clamping piece	DPM IV	1
31	45.68.050	BRACKET FOR RIBBON PHOTO CELL		1
32	45.68.052	BRACKET FOR RIBBON UNWINDER		1
33	45.68.054	BRACKET FOR RIBBON REWINDER		1
34	45.68.061	BRACKET FOR VALVE		1
35	45.68.205	BRACKET		1
36	45.77.090	Belt tensioner upper part	DPM II/DPM III/DPM IV	1
37	46.68.200	Ribbon rewinding shaft	DPM IV 107	1
38	46.68.205	Ribbon unwinding shaft	DPM IV 107	1
39	46.68.215	Bearing pillar		1
40	47.03.004V	Hexagon nut M4 stainless		2
41	47.05.001V	Hexagon nut M4 stainless		1
42	48.10.005V	Setscrew M4x4 stainless		4
43	48.10.006V	SCREW M3X16 DIN913		2
44	48.10.408V	Setscrew M4x8 stainless		2
45	48.13.212	Screw 22x4.5		2
46	48.16.306V	Socket cap screw M3x6 stainless		8
47	48.16.310V	Socket cap screw M3x10 stainless		1
48	48.16.312V	Socket cap screw M3x12 stainless		2
49	48.16.316V	Socket cap screw M3x16 stainless		4
50	48.16.406V	Socket cap screw M4x6 stainless		6
51	48.16.408V	Socket cap screw M4x8 stainless		4
52	48.16.410V	Socket cap screw M4x10 stainless		13

\*Recommended spare part

## 71.68.290

### Print carriage DPM IV 107-12, right

Pos	Ident-No.	Description1	Description2	Quantity
53	48.16.412V	Socket cap screw M4x12 stainless		10
54	48.16.420V	Socket cap screw M4x20 stainless		4
55	48.16.430V	Socket cap screw M4x30 stainless		1
56	48.16.440V	Socket cap screw M4x40 stainless		1
57	48.19.306V	Socket cap screw M3x6 stainless		2
58	48.19.308V	Socket cap screw M3x8 stainless		2
59	48.20.408V	Socket cap screw M4x8 stainless		4
60	48.20.512V	Socket cap screw M5x12 stainless		1
61	50.01.046V	Lock washer M4 stainless		3
62	50.01.057V	Washer 3.2 stainless		5
63	50.01.065V	Lock washer 4.3 stainless		3
64	50.50.602	Washer 6x12x0.2		2
65	50.50.810	Washer 8x14x1.0		1
66	50.55.001	Washer 8x14x0.5		2
67*	50.88.001	Striker arm plate	Spectra/SPE/SPX/DPM III+IV/Vario II/Vita/FC/ALP	2
68	52.55.005	Compression spring	Vario/DPM III/DPM IV	2
69*	52.55.010	Tension spring		1
70*	52.88.005	Compression spring	Spectra/DPM/SPE/Vario/SPX/Vita/Flexicode/ALP	2
71*	57.01.005	Grooved ball bearing		2
72*	57.01.007	Grooved ball bearing		4
73*	57.01.015	Free-wheel HF 0812		2
74*	57.02.017	Slide bearing	DPM IV	2
75*	59.55.144	Toothed belt	Vario/DPM III c/DPM IV	1
76	59.68.018	DRIVING GEAR	FOR DPM IV	1
77	59.68.020	COGGED BELT	FOR DPM IV	1
78	59.68.028	COGGED BELT DRIVE	FOR DPM IV	1

\*Recommended spare part

## 71.68.290

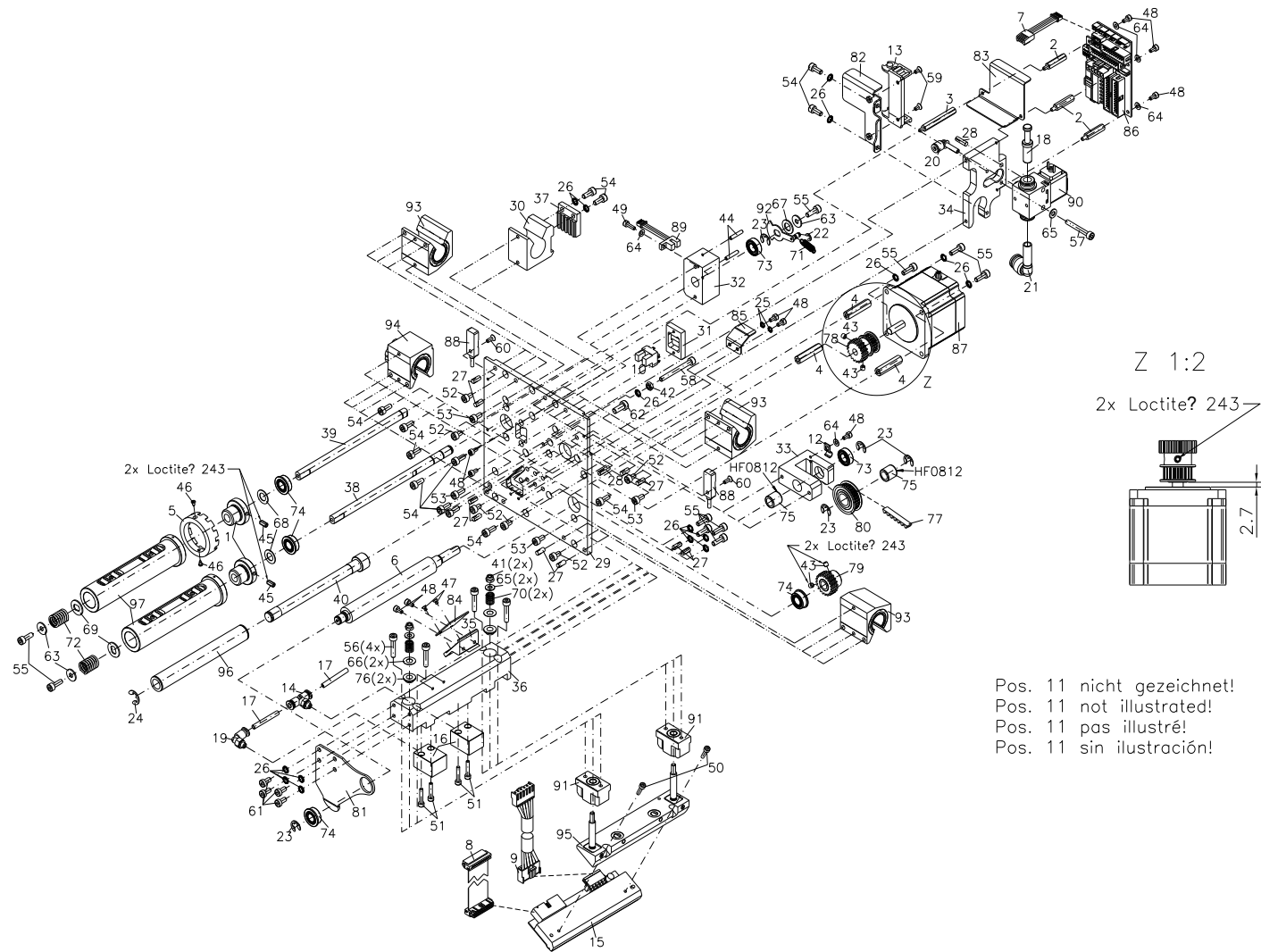
### Print carriage DPM IV 107-12, right

Pos	Ident-No.	Description1	Description2	Quantity
79	67.68.030	Sole plate		1
80	67.68.041	ANGLE FOR CHAIN		1
81	67.68.058	CABLE GUIDING	FOR DPM IV	1
82	67.68.074	PROTECTIVE PLATE		1
83	70.39.621	Circuit board carriage cpl, right	DPM IV	1
84	71.68.005	Rewinding motor cpl left/right	DPM IV	1
85*	71.68.020	Start position sensor/End position sensor	DPM IV	2
86*	71.68.040	Ribbon photocell return/stop	DPM IV/LPM II/ALP	1
87*	71.79.020	Valve cpl	Flexicode/DPM IV	1
88*	72.68.046	Bearing 12 mm cpl	DPM IV	2
89	72.68.064	Backfeed plate cpl	DPM IV	1
90*	72.68.080	Bearing open cpl	DPM IV	3
91*	72.68.082	Bearing open short cpl	DPM IV, right	1
92	72.68.200	Printhead bracket cpl	DPM IV 107	1
93	72.68.210	Return pulley cpl	DPM IV 107	1
94	72.68.225	Ribbon unwinding/rewinding roller cpl	DPM IV 107	2

\*Recommended spare part

# 71.68.295

## Print carriage DPM IV 107-12, left



## 71.68.295

### Print carriage DPM IV 107-12, left

Pos	Ident-No.	Description1	Description2	Quantity
1	10.88.001	Bearing bush	Spectra/SPE/DPM/SPX/Vita/Flexicode/ILX/ALP	2
2	12.40.322	Distance bolt M3x22.5		3
3	12.40.341	DISTANCE BOLT M3 X 41		1
4	12.40.431	DISTANCE BOLT M4 X 30		3
5	16.88.055	Sprocket wheel	Spectra/SPE/DPM/Vario/SPX/Vita/Flexicode/ALP	1
6	18.68.200	Drive roller	DPM IV 107	1
7	28.68.025	Connecting cable, encoder-carriage board	DPM IV/ALP	1
8*	28.68.111	Printhead cable, data signals	DPM IV 107/128, left	1
9*	28.68.121	Printhead cable, power cable	DPM IV 107/DPM IV 128, left	1
10	31.03.035	Photocell		1
11	35.01.002	Cable joint 100x2.5 mm		3
12	35.01.006	Mounting bracket 4 mm		1
13	35.06.0521	Attachment accessory shortened	DPM IV	1
14	36.13.245	T-screw joint connector 4 mm		1
15	37.04.1019	Thermal printhead 107-12	DPM IV including coating	1
16*	37.67.001	Short-stroke cylinder	DPM III/Dynacode/Flexicode/DPM IV	2
17*	37.67.025	Pneumatic tube 4 mm	DPM III/Dynacode/APX, in meters	0,13m
18	37.67.040	Locking plug 8 mm		1
19	37.67.062	L-screw joint connector 4 mm/M5		1
20	37.67.089	Connection 4 mm		1
21	37.67.092	Connection 8 mm		1
22	40.01.003V	Shaft protection 3.2 mm stainless		1
23	40.01.006V	Shaft protection 6 mm stainless		5
24	40.01.007V	Shaft protection 7 mm stainless		1
25	41.03.003V	Lock washer M3 stainless		2
26	41.03.004V	Lock washer M4 stainless		16

\*Recommended spare part

## 71.68.295

### Print carriage DPM IV 107-12, left

Pos	Ident-No.	Description1	Description2	Quantity
27	42.13.410V	TAPER PIN 4x10 S2 DIN 1472		10
28	42.13.414V	Grooved pin 4 x 14 mm		2
29	45.68.006	Carrier plate		1
30	45.68.042	Clamping piece	DPM IV	1
31	45.68.050	BRACKET FOR RIBBON PHOTO CELL		1
32	45.68.052	BRACKET FOR RIBBON UNWINDER		1
33	45.68.054	BRACKET FOR RIBBON REWINDER		1
34	45.68.061	BRACKET FOR VALVE		1
35	45.68.072	Cable clip, inside	DPM IV	1
36	45.68.205	BRACKET		1
37	45.77.090	Belt tensioner upper part	DPM II/DPM III/DPM IV	1
38	46.68.200	Ribbon rewinding shaft	DPM IV 107	1
39	46.68.205	Ribbon unwinding shaft	DPM IV 107	1
40	46.68.215	Bearing pillar		1
41	47.03.004V	Hexagon nut M4 stainless		2
42	47.05.001V	Hexagon nut M4 stainless		1
43	48.10.005V	Setscrew M4x4 stainless		4
44	48.10.006V	SCREW M3X16 DIN913		2
45	48.10.408V	Setscrew M4x8 stainless		2
46	48.13.212	Screw 22x4.5		2
47	48.15.204V	Countersunk screw M2.5x4 stainless		2
48	48.16.306V	Socket cap screw M3x6 stainless		10
49	48.16.310V	Socket cap screw M3x10 stainless		1
50	48.16.312V	Socket cap screw M3x12 stainless		2
51	48.16.316V	Socket cap screw M3x16 stainless		4
52	48.16.406V	Socket cap screw M4x6 stainless		6

\*Recommended spare part

## 71.68.295

### Print carriage DPM IV 107-12, left

Pos	Ident-No.	Description1	Description2	Quantity
53	48.16.408V	Socket cap screw M4x8 stainless		4
54	48.16.410V	Socket cap screw M4x10 stainless		13
55	48.16.412V	Socket cap screw M4x12 stainless		10
56	48.16.420V	Socket cap screw M4x20 stainless		4
57	48.16.430V	Socket cap screw M4x30 stainless		1
58	48.16.440V	Socket cap screw M4x40 stainless		1
59	48.19.306V	Socket cap screw M3x6 stainless		2
60	48.19.308V	Socket cap screw M3x8 stainless		2
61	48.20.408V	Socket cap screw M4x8 stainless		4
62	48.20.512V	Socket cap screw M5x12 stainless		1
63	50.01.046V	Lock washer M4 stainless		3
64	50.01.057V	Washer 3.2 stainless		5
65	50.01.065V	Lock washer 4.3 stainless		3
66	50.50.602	Washer 6x12x0.2		2
67	50.50.810	Washer 8x14x1.0		1
68	50.55.001	Washer 8x14x0.5		2
69*	50.88.001	Striker arm plate	Spectra/SPE/SPX/DPM III+IV/Vario II/Vita/FC/ALP	2
70	52.55.005	Compression spring	Vario/DPM III/DPM IV	2
71*	52.55.010	Tension spring		1
72*	52.88.005	Compression spring	Spectra/DPM/SPE/Vario/SPX/Vita/Flexicode/ALP	2
73*	57.01.005	Grooved ball bearing		2
74*	57.01.007	Grooved ball bearing		4
75*	57.01.015	Free-wheel HF 0812		2
76*	57.02.017	Slide bearing	DPM IV	2
77*	59.55.144	Toothed belt	Vario/DPM III c/DPM IV	1
78	59.68.018	DRIVING GEAR	FOR DPM IV	1

\*Recommended spare part

## 71.68.295

### Print carriage DPM IV 107-12, left

Pos	Ident-No.	Description1	Description2	Quantity
79	59.68.020	COGGED BELT	FOR DPM IV	1
80	59.68.028	COGGED BELT DRIVE	FOR DPM IV	1
81	67.68.035	Sole plate		1
82	67.68.043	ANGLE FOR CHAIN		1
83	67.68.060	CABLE GUIDING	FOR DPM IV	1
84	67.68.072	Cable clip outside		1
85	67.68.074	PROTECTIVE PLATE		1
86	70.39.620	Circuit board carriage cpl, left	DPM IV	1
87	71.68.005	Rewinding motor cpl left/right	DPM IV	1
88*	71.68.020	Start position sensor/End position sensor	DPM IV	2
89*	71.68.040	Ribbon photocell return/stop	DPM IV/LPM II/ALP	1
90*	71.79.020	Valve cpl	Flexicode/DPM IV	1
91*	72.68.046	Bearing 12 mm cpl	DPM IV	2
92	72.68.064	Backfeed plate cpl	DPM IV	1
93*	72.68.080	Bearing open cpl	DPM IV	3
94	72.68.083	Bearing open short cpl	DPM IV, left	1
95	72.68.200	Printhead bracket cpl	DPM IV 107	1
96	72.68.210	Return pulley cpl	DPM IV 107	1
97	72.68.225	Ribbon unwinding/rewinding roller cpl	DPM IV 107	2

\*Recommended spare part



## 71.68.390

### Print carriage DPM IV 128-12, right

Pos	Ident-No.	Description1	Description2	Quantity
1	10.88.001	Bearing bush	Spectra/SPE/DPM/SPX/Vita/Flexicode/ILX/ALP	2
2	12.40.322	Distance bolt M3x22.5		3
3	12.40.341	DISTANCE BOLT M3 X 41		1
4	12.40.431	DISTANCE BOLT M4 X 30		3
5	16.88.055	Sprocket wheel	Spectra/SPE/DPM/Vario/SPX/Vita/Flexicode/ALP	1
6	18.68.300	Drive roller	DPM IV 128	1
7	28.68.025	Connecting cable, encoder-carriage board	DPM IV/ALP	1
8*	28.68.110	Printhead cable, data signals	DPM IV 107/128, right	1
9*	28.68.120	Printhead cable, power cable	DPM IV 107/DPM IV 128, right	1
10	31.03.035	Photocell		1
11	35.01.002	Cable joint 100x2.5 mm		3
12	35.01.006	Mounting bracket 4 mm		1
13	35.06.0521	Attachment accessory shortened	DPM IV	1
14	36.13.245	T-screw joint connector 4 mm		1
15	37.04.1289	Thermal printhead 128-12	DPM IV, including coating	1
16*	37.67.001	Short-stroke cylinder	DPM III/Dynacode/Flexicode/DPM IV	2
17*	37.67.025	Pneumatic tube 4 mm	DPM III/Dynacode/APX, in meters	0,14m
18	37.67.040	Locking plug 8 mm		1
19	37.67.062	L-screw joint connector 4 mm/M5		1
20	37.67.089	Connection 4 mm		1
21	37.67.092	Connection 8 mm		1
22	40.01.003V	Shaft protection 3.2 mm stainless		1
23	40.01.006V	Shaft protection 6 mm stainless		5
24	40.01.007V	Shaft protection 7 mm stainless		1
25	41.03.003V	Lock washer M3 stainless		2
26	41.03.004V	Lock washer M4 stainless		16

\*Recommended spare part

## 71.68.390

### Print carriage DPM IV 128-12, right

Pos	Ident-No.	Description1	Description2	Quantity
27	42.13.410V	TAPER PIN 4x10 S2 DIN 1472		10
28	42.13.414V	Grooved pin 4 x 14 mm		2
29	45.68.002	Carrier plate		1
30	45.68.042	Clamping piece	DPM IV	1
31	45.68.050	BRACKET FOR RIBBON PHOTO CELL		1
32	45.68.052	BRACKET FOR RIBBON UNWINDER		1
33	45.68.054	BRACKET FOR RIBBON REWINDER		1
34	45.68.061	BRACKET FOR VALVE		1
35	45.68.305	BRACKET		1
36	45.77.090	Belt tensioner upper part	DPM II/DPM III/DPM IV	1
37	46.68.300	Ribbon rewinding shaft	DPM IV 128	1
38	46.68.305	Ribbon unwinding shaft	DPM IV 128	1
39	46.68.315	Bearing pillar		1
40	47.03.004V	Hexagon nut M4 stainless		2
41	47.05.001V	Hexagon nut M4 stainless		1
42	48.10.005V	Setscrew M4x4 stainless		4
43	48.10.006V	SCREW M3X16 DIN913		2
44	48.10.408V	Setscrew M4x8 stainless		2
45	48.13.212	Screw 22x4.5		2
46	48.16.306V	Socket cap screw M3x6 stainless		8
47	48.16.310V	Socket cap screw M3x10 stainless		1
48	48.16.312V	Socket cap screw M3x12 stainless		2
49	48.16.316V	Socket cap screw M3x16 stainless		4
50	48.16.406V	Socket cap screw M4x6 stainless		6
51	48.16.408V	Socket cap screw M4x8 stainless		4
52	48.16.410V	Socket cap screw M4x10 stainless		13

\*Recommended spare part

## 71.68.390

### Print carriage DPM IV 128-12, right

Pos	Ident-No.	Description1	Description2	Quantity
53	48.16.412V	Socket cap screw M4x12 stainless		10
54	48.16.420V	Socket cap screw M4x20 stainless		4
55	48.16.430V	Socket cap screw M4x30 stainless		1
56	48.16.440V	Socket cap screw M4x40 stainless		1
57	48.19.306V	Socket cap screw M3x6 stainless		2
58	48.19.308V	Socket cap screw M3x8 stainless		2
59	48.20.408V	Socket cap screw M4x8 stainless		4
60	48.20.512V	Socket cap screw M5x12 stainless		1
61	50.01.046V	Lock washer M4 stainless		3
62	50.01.057V	Washer 3.2 stainless		5
63	50.01.065V	Lock washer 4.3 stainless		3
64	50.50.602	Washer 6x12x0.2		2
65	50.50.810	Washer 8x14x1.0		1
66	50.55.001	Washer 8x14x0.5		2
67*	50.88.001	Striker arm plate	Spectra/SPE/SPX/DPM III+IV/Vario II/Vita/FC/ALP	2
68	52.55.005	Compression spring	Vario/DPM III/DPM IV	2
69*	52.55.010	Tension spring		1
70*	52.88.005	Compression spring	Spectra/DPM/SPE/Vario/SPX/Vita/Flexicode/ALP	2
71*	57.01.005	Grooved ball bearing		2
72*	57.01.007	Grooved ball bearing		4
73*	57.01.015	Free-wheel HF 0812		2
74*	57.02.017	Slide bearing	DPM IV	2
75*	59.55.144	Toothed belt	Vario/DPM III c/DPM IV	1
76	59.68.018	DRIVING GEAR	FOR DPM IV	1
77	59.68.020	COGGED BELT	FOR DPM IV	1
78	59.68.028	COGGED BELT DRIVE	FOR DPM IV	1

\*Recommended spare part

## 71.68.390

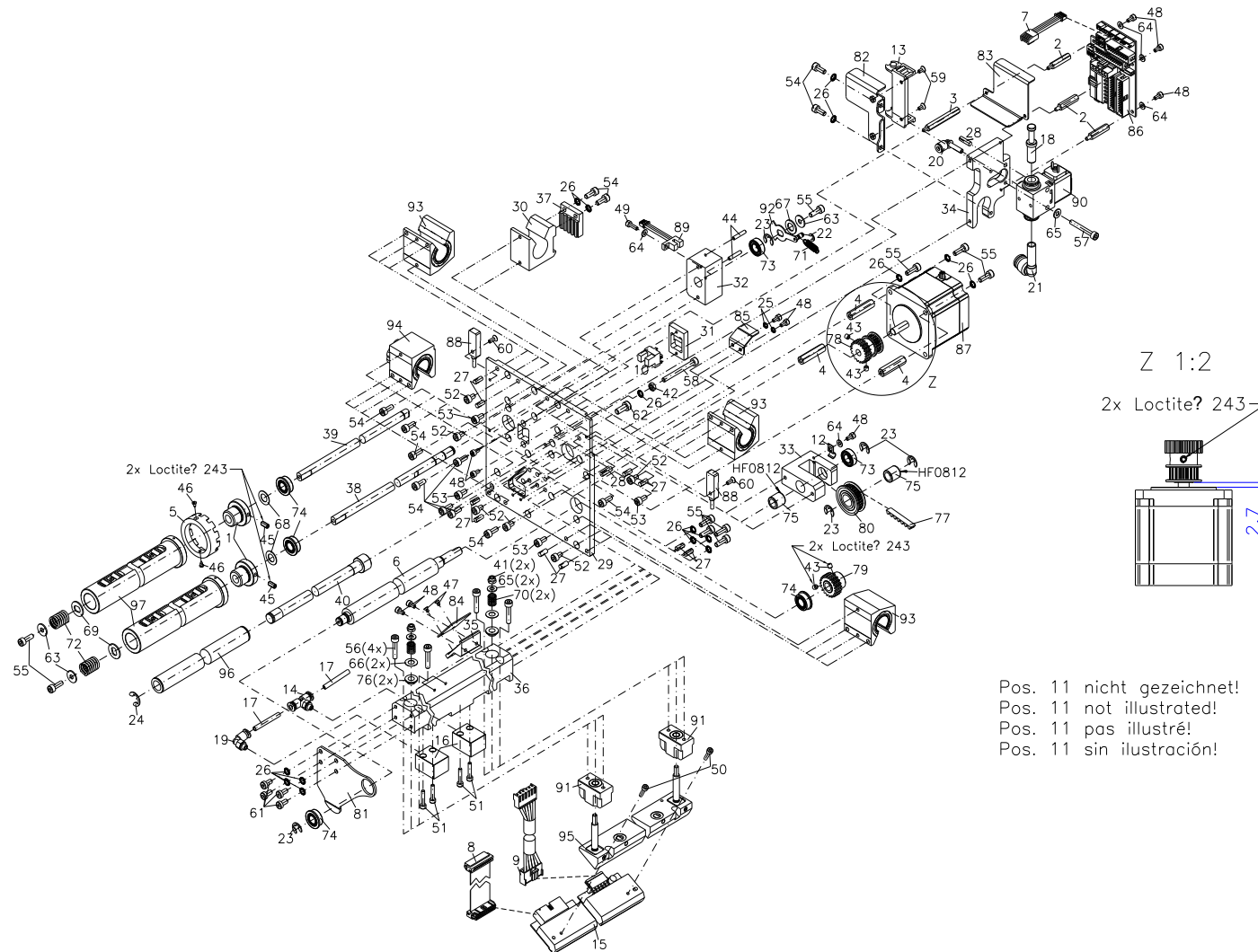
### Print carriage DPM IV 128-12, right

Pos	Ident-No.	Description1	Description2	Quantity
79	67.68.030	Sole plate		1
80	67.68.041	ANGLE FOR CHAIN		1
81	67.68.058	CABLE GUIDING	FOR DPM IV	1
82	67.68.074	PROTECTIVE PLATE		1
83	70.39.621	Circuit board carriage cpl, right	DPM IV	1
84	71.68.005	Rewinding motor cpl left/right	DPM IV	1
85*	71.68.020	Start position sensor/End position sensor	DPM IV	2
86*	71.68.040	Ribbon photocell return/stop	DPM IV/LPM II/ALP	1
87*	71.79.020	Valve cpl	Flexicode/DPM IV	1
88*	72.68.046	Bearing 12 mm cpl	DPM IV	2
89	72.68.064	Backfeed plate cpl	DPM IV	1
90*	72.68.080	Bearing open cpl	DPM IV	3
91*	72.68.082	Bearing open short cpl	DPM IV, right	1
92	72.68.300	Printhead bracket cpl	DPM IV 128	1
93	72.68.310	Return pulley cpl	DPM IV 128	1
94	72.68.325	Ribbon rewinding/unwinding roller cpl	DPM IV 128	2

\*Recommended spare part

# 71.68.395

## Print carriage DPM IV 128-12, left



## 71.68.395

### Print carriage DPM IV 128-12, left

Pos	Ident-No.	Description1	Description2	Quantity
1	10.88.001	Bearing bush	Spectra/SPE/DPM/SPX/Vita/Flexicode/ILX/ALP	2
2	12.40.322	Distance bolt M3x22.5		3
3	12.40.341	DISTANCE BOLT M3 X 41		1
4	12.40.431	DISTANCE BOLT M4 X 30		3
5	16.88.055	Sprocket wheel	Spectra/SPE/DPM/Vario/SPX/Vita/Flexicode/ALP	1
6	18.68.300	Drive roller	DPM IV 128	1
7	28.68.025	Connecting cable, encoder-carriage board	DPM IV/ALP	1
8*	28.68.111	Printhead cable, data signals	DPM IV 107/128, left	1
9*	28.68.121	Printhead cable, power cable	DPM IV 107/DPM IV 128, left	1
10	31.03.035	Photocell		1
11	35.01.002	Cable joint 100x2.5 mm		3
12	35.01.006	Mounting bracket 4 mm		1
13	35.06.0521	Attachment accessory shortened	DPM IV	1
14	36.13.245	T-screw joint connector 4 mm		1
15	37.04.1289	Thermal printhead 128-12	DPM IV, including coating	1
16*	37.67.001	Short-stroke cylinder	DPM III/Dynacode/Flexicode/DPM IV	2
17*	37.67.025	Pneumatic tube 4 mm	DPM III/Dynacode/APX, in meters	0,14m
18	37.67.040	Locking plug 8 mm		1
19	37.67.062	L-screw joint connector 4 mm/M5		1
20	37.67.089	Connection 4 mm		1
21	37.67.092	Connection 8 mm		1
22	40.01.003V	Shaft protection 3.2 mm stainless		1
23	40.01.006V	Shaft protection 6 mm stainless		5
24	40.01.007V	Shaft protection 7 mm stainless		1
25	41.03.003V	Lock washer M3 stainless		2
26	41.03.004V	Lock washer M4 stainless		16

\*Recommended spare part

## 71.68.395

### Print carriage DPM IV 128-12, left

Pos	Ident-No.	Description1	Description2	Quantity
27	42.13.410V	TAPER PIN 4x10 S2 DIN 1472		10
28	42.13.414V	Grooved pin 4 x 14 mm		2
29	45.68.006	Carrier plate		1
30	45.68.042	Clamping piece	DPM IV	1
31	45.68.050	BRACKET FOR RIBBON PHOTO CELL		1
32	45.68.052	BRACKET FOR RIBBON UNWINDER		1
33	45.68.054	BRACKET FOR RIBBON REWINDER		1
34	45.68.061	BRACKET FOR VALVE		1
35	45.68.072	Cable clip, inside	DPM IV	1
36	45.68.305	BRACKET		1
37	45.77.090	Belt tensioner upper part	DPM II/DPM III/DPM IV	1
38	46.68.300	Ribbon rewinding shaft	DPM IV 128	1
39	46.68.305	Ribbon unwinding shaft	DPM IV 128	1
40	46.68.315	Bearing pillar		1
41	47.03.004V	Hexagon nut M4 stainless		2
42	47.05.001V	Hexagon nut M4 stainless		1
43	48.10.005V	Setscrew M4x4 stainless		4
44	48.10.006V	SCREW M3X16 DIN913		2
45	48.10.408V	Setscrew M4x8 stainless		2
46	48.13.212	Screw 22x4.5		2
47	48.15.204V	Countersunk screw M2.5x4 stainless		2
48	48.16.306V	Socket cap screw M3x6 stainless		10
49	48.16.310V	Socket cap screw M3x10 stainless		1
50	48.16.312V	Socket cap screw M3x12 stainless		2
51	48.16.316V	Socket cap screw M3x16 stainless		4
52	48.16.406V	Socket cap screw M4x6 stainless		6

\*Recommended spare part

## 71.68.395

### Print carriage DPM IV 128-12, left

Pos	Ident-No.	Description1	Description2	Quantity
53	48.16.408V	Socket cap screw M4x8 stainless		4
54	48.16.410V	Socket cap screw M4x10 stainless		13
55	48.16.412V	Socket cap screw M4x12 stainless		10
56	48.16.420V	Socket cap screw M4x20 stainless		4
57	48.16.430V	Socket cap screw M4x30 stainless		1
58	48.16.440V	Socket cap screw M4x40 stainless		1
59	48.19.306V	Socket cap screw M3x6 stainless		2
60	48.19.308V	Socket cap screw M3x8 stainless		2
61	48.20.408V	Socket cap screw M4x8 stainless		4
62	48.20.512V	Socket cap screw M5x12 stainless		1
63	50.01.046V	Lock washer M4 stainless		3
64	50.01.057V	Washer 3.2 stainless		5
65	50.01.065V	Lock washer 4.3 stainless		3
66	50.50.602	Washer 6x12x0.2		2
67	50.50.810	Washer 8x14x1.0		1
68	50.55.001	Washer 8x14x0.5		2
69*	50.88.001	Striker arm plate	Spectra/SPE/SPX/DPM III+IV/Vario II/Vita/FC/ALP	2
70	52.55.005	Compression spring	Vario/DPM III/DPM IV	2
71*	52.55.010	Tension spring		1
72*	52.88.005	Compression spring	Spectra/DPM/SPE/Vario/SPX/Vita/Flexicode/ALP	2
73*	57.01.005	Grooved ball bearing		2
74*	57.01.007	Grooved ball bearing		4
75*	57.01.015	Free-wheel HF 0812		2
76*	57.02.017	Slide bearing	DPM IV	2
77*	59.55.144	Toothed belt	Vario/DPM III c/DPM IV	1
78	59.68.018	DRIVING GEAR	FOR DPM IV	1

\*Recommended spare part

## 71.68.395

### Print carriage DPM IV 128-12, left

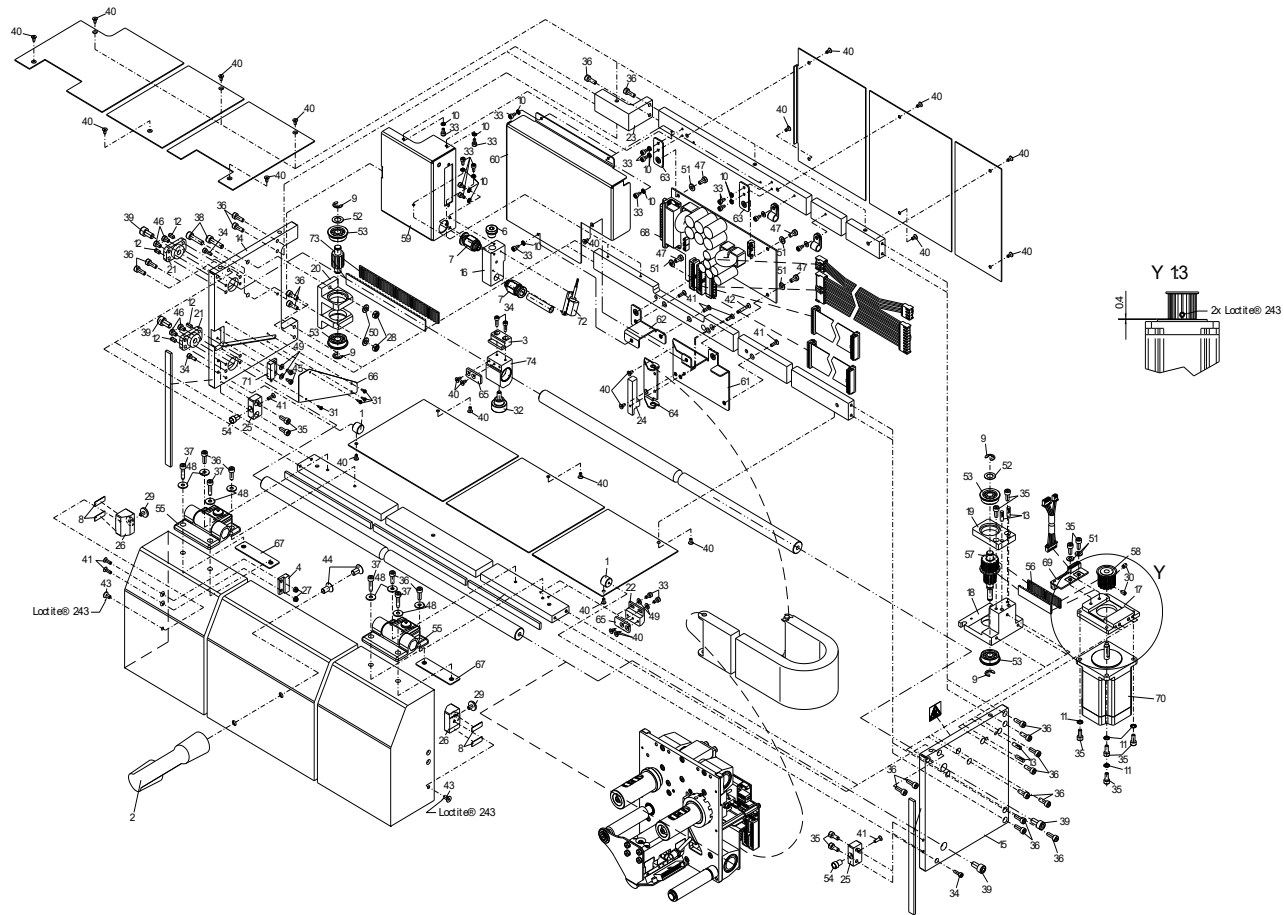
Pos	Ident-No.	Description1	Description2	Quantity
79	59.68.020	COGGED BELT	FOR DPM IV	1
80	59.68.028	COGGED BELT DRIVE	FOR DPM IV	1
81	67.68.035	Sole plate		1
82	67.68.043	ANGLE FOR CHAIN		1
83	67.68.060	CABLE GUIDING	FOR DPM IV	1
84	67.68.072	Cable clip outside		1
85	67.68.074	PROTECTIVE PLATE		1
86	70.39.620	Circuit board carriage cpl, left	DPM IV	1
87	71.68.005	Rewinding motor cpl left/right	DPM IV	1
88*	71.68.020	Start position sensor/End position sensor	DPM IV	2
89*	71.68.040	Ribbon photocell return/stop	DPM IV/LPM II/ALP	1
90*	71.79.020	Valve cpl	Flexicode/DPM IV	1
91*	72.68.046	Bearing 12 mm cpl	DPM IV	2
92	72.68.064	Backfeed plate cpl	DPM IV	1
93*	72.68.080	Bearing open cpl	DPM IV	3
94	72.68.083	Bearing open short cpl	DPM IV, left	1
95	72.68.300	Printhead bracket cpl	DPM IV 128	1
96	72.68.310	Return pulley cpl	DPM IV 128	1
97	72.68.325	Ribbon rewinding/unwinding roller cpl	DPM IV 128	2

\*Recommended spare part

# 71.68.090

Parts independent of length and width

DPM IV, right



Pos. 5 nicht gezeichnet!  
Pos. 5 not illustrated!  
Pos. 5 pas illustré!  
Pos. 5 sin ilustración!

## 71.68.090

Parts independent of length and width

DPM IV, right

Pos	Ident-No.	Description1	Description2	Quantity
1	10.68.001	Angle connector	DPM IV	2
2	16.67.005	Handle	DPM III/DPM IV	1
3	16.68.005	SLIDING PART		1
4	31.03.220	Magnet for Reed sensor		1
5	35.01.002	Cable joint 100x2.5 mm		2
6	36.16.002	DUMMY PLUG		1
7	37.57.400	Adhesive tape 6 mm		0,01
8	37.67.035	Screw joint connector 8 mm	DPM III/DPM IV/Dynacode/Flexicode/APL/APX	2
9	40.01.006V	Shaft protection 6 mm stainless		4
10	41.03.003V	Lock washer M3 stainless		13
11	41.03.004V	Lock washer M4 stainless		4
12	42.13.408V	TAPER PIN 4x8 S2 DIN 1472		4
13	42.13.414V	Grooved pin 4 x 14 mm		4
14	45.68.010	SIDE PANEL IN FRONT	FOR DPM IV	1
15	45.68.020	SIDE PANEL BEHIND	FOR DPM IV	1
16	45.68.030	Connector block		1
17	45.68.034	Motor bracket	DPM IV	1
18	45.68.036	Brake bracket	DPM IV	1
19	45.68.038	Counter bearing	DPM IV	1
20	45.68.040	BELT CLAMP		1
21	45.68.048	FLANGE		2
22	45.68.056	Bracket for contact plate	DPM IV	1
23	45.68.058	ANGLE		1
24	45.68.062	Pull relief	DPM IV	1
25	45.68.068	Magnet holder	DPM IV	2
26	45.68.070	Counterpart of magnet	DPM IV	2

\*Recommended spare part

## 71.68.090

Parts independent of length and width

DPM IV, right

Pos	Ident-No.	Description1	Description2	Quantity
27	47.03.003V	Hexagon nut M3 stainless		2
28	47.05.002V	Hexagon nut M5 stainless		2
29	48.02.406	Screw M4x6		2
30	48.10.406V	Setscrew M4x6 stainless		2
31	48.14.105V	Pan screw M2x5 stainless		4
32	48.16.019	KNURLED SCREW		1
33	48.16.306V	Socket cap screw M3x6 stainless		15
34	48.16.310V	Socket cap screw M3x10 stainless		5
35	48.16.410V	Socket cap screw M4x10 stainless		12
36	48.16.412V	Socket cap screw M4x12 stainless		23
37	48.16.416V	Socket cap screw M4x16 stainless		4
38	48.16.521V	Socket cap screw M5x20 stainless		2
39	48.16.612V	Socket cap screw M6x12 stainless		4
40	48.19.306V	Socket cap screw M3x6 stainless		24
41	48.19.310V	Socket cap screw M3x10		8
42	48.19.320V	Socket cap screw M3x20		1
43	48.19.408V	Socket cap screw A2 stainless M4x8		2
44	48.19.612V	Socket cap screw M6x12 stainless		2
45	48.20.306V	INBUS A2 STAINLESS M3x6		2
46	48.20.406V	Socket cap screw M4x6 stainless		4
47	48.20.408V	Socket cap screw M4x8 stainless		4
48	50.01.046V	Lock washer M4 stainless		8
49	50.01.057V	Washer 3.2 stainless		4
50	50.01.063V	Lock washer 5.3 stainless		2
51	50.01.065V	Lock washer 4.3 stainless		6
52	50.50.802	Washer 8x14x0.2		2

\*Recommended spare part

## 71.68.090

Parts independent of length and width

DPM IV, right

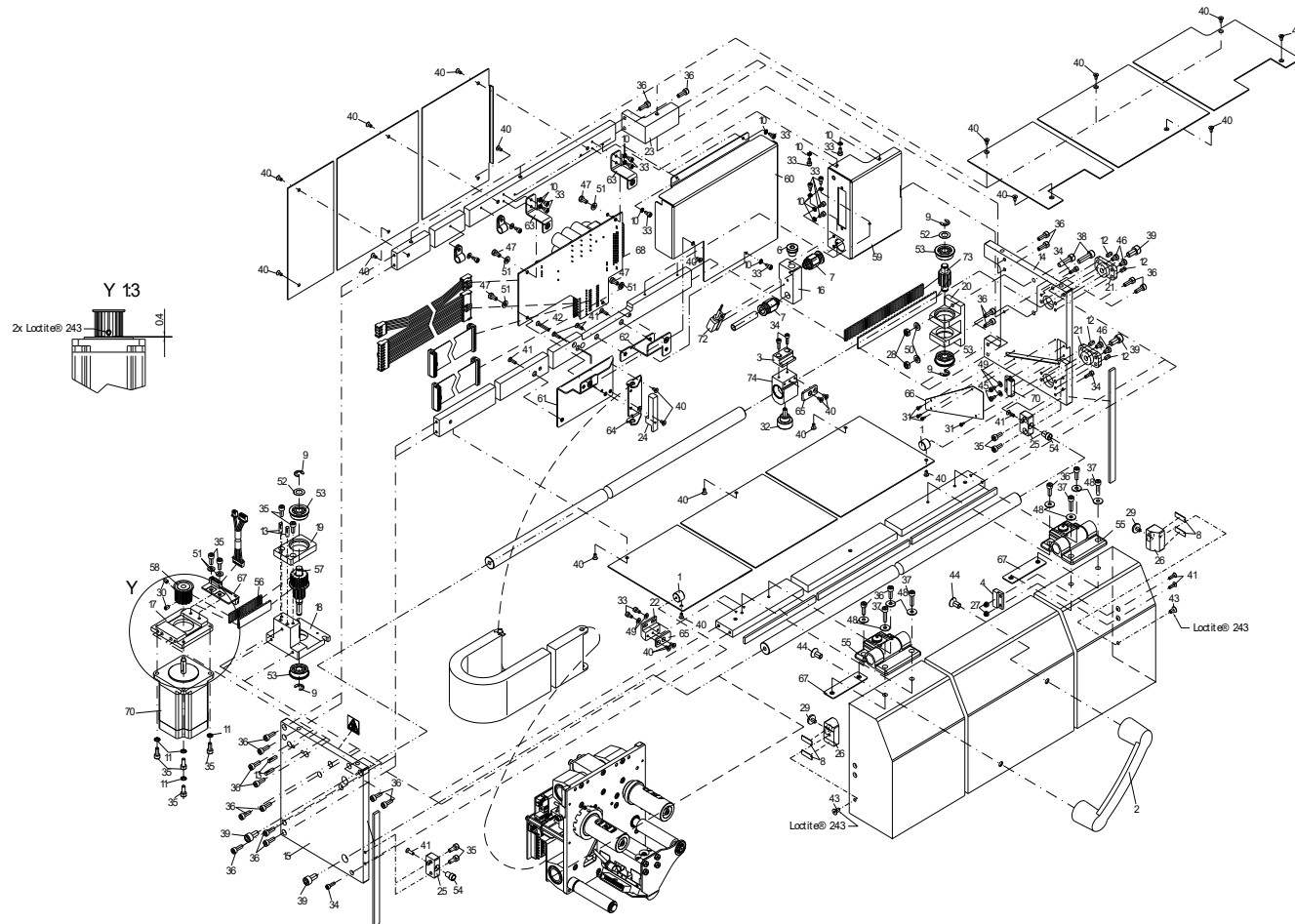
Pos	Ident-No.	Description1	Description2	Quantity
53*	57.01.030	Grooved ball bearing		4
54	57.05.014	Gripper		2
55	57.67.001	Plastic hinge, adjustable		2
56*	59.03.237	COGGED BELT		1
57	59.68.010	COGGED BELT DRIVE 10/14 T5	FOR DPM IV	1
58	59.68.014	COGGED BELT DRIVE 14 T5	FOR DPM IV	1
59	67.68.001	Connecting plate		1
60	67.68.010	COVER PLATE	FOR DPM IV	1
61	67.68.020	Angular stay		1
62	67.68.022	MOUNTING ANGLE	FOR DPM IV	1
63	67.68.044	Bracket for circuit board		2
64	67.68.062	Angular stay for chain		1
65	67.68.067	Circuit plate 2,5 mm		2
66	67.68.068	COVER PLATE	FOR DPM IV	1
67	67.68.070	Support		2
68*	70.39.615	Motor board	DPM IV	1
69	70.39.630	Distributor board, motor/brake	DPM IV	1
70	71.68.001	Drive motor cpl left/right	DPM IV	1
71*	71.68.030	Cover sensor cpl	DPM IV	1
72*	71.68.035	Switch cpl	DPM IV	1
73	72.67.026A	Toothed belt wheel cpl for belt tensioner	DPM III xi/DPM IV	1
74	72.68.066	Slider cpl	DPM IV	1

\*Recommended spare part

# 71.68.095

Parts independent of length and width

DPM IV, left



Pos. 5 nicht gezeichnet!  
Pos. 5 not illustrated!  
Pos. 5 pas illustré!  
Pos. 5 sin ilustración!

## 71.68.095

Parts independent of length and width

DPM IV, left

Pos	Ident-No.	Description1	Description2	Quantity
1	10.68.001	Angle connector	DPM IV	2
2	16.67.005	Handle	DPM III/DPM IV	1
3	16.68.005	SLIDING PART		1
4	31.03.220	Magnet for Reed sensor		1
5	35.01.002	Cable joint 100x2.5 mm		2
6	36.16.002	DUMMY PLUG		1
7	37.57.400	Adhesive tape 6 mm		0,01
8	37.67.035	Screw joint connector 8 mm	DPM III/DPM IV/Dynacode/Flexicode/APL/APX	2
9	40.01.006V	Shaft protection 6 mm stainless		4
10	41.03.003V	Lock washer M3 stainless		13
11	41.03.004V	Lock washer M4 stainless		4
12	42.13.408V	TAPER PIN 4x8 S2 DIN 1472		4
13	42.13.414V	Grooved pin 4 x 14 mm		4
14	45.68.015	Side panel in front, left		1
15	45.68.025	SIDE PANEL BEHIND	FOR DPM IV	1
16	45.68.032	Connector block		1
17	45.68.034	Motor bracket	DPM IV	1
18	45.68.036	Brake bracket	DPM IV	1
19	45.68.038	Counter bearing	DPM IV	1
20	45.68.040	BELT CLAMP		1
21	45.68.048	FLANGE		2
22	45.68.056	Bracket for contact plate	DPM IV	1
23	45.68.058	ANGLE		1
24	45.68.062	Pull relief	DPM IV	1
25	45.68.068	Magnet holder	DPM IV	2
26	45.68.070	Counterpart of magnet	DPM IV	2

\*Recommended spare part

## 71.68.095

Parts independent of length and width

DPM IV, left

Pos	Ident-No.	Description1	Description2	Quantity
27	47.03.003V	Hexagon nut M3 stainless		2
28	47.05.002V	Hexagon nut M5 stainless		2
29	48.02.406	Screw M4x6		2
30	48.10.406V	Setscrew M4x6 stainless		2
31	48.14.105V	Pan screw M2x5 stainless		4
32	48.16.019	KNURLED SCREW		1
33	48.16.306V	Socket cap screw M3x6 stainless		15
34	48.16.310V	Socket cap screw M3x10 stainless		5
35	48.16.410V	Socket cap screw M4x10 stainless		12
36	48.16.412V	Socket cap screw M4x12 stainless		23
37	48.16.416V	Socket cap screw M4x16 stainless		4
38	48.16.521V	Socket cap screw M5x20 stainless		2
39	48.16.612V	Socket cap screw M6x12 stainless		4
40	48.19.306V	Socket cap screw M3x6 stainless		24
41	48.19.310V	Socket cap screw M3x10		8
42	48.19.320V	Socket cap screw M3x20		1
43	48.19.408V	Socket cap screw A2 stainless M4x8		2
44	48.19.612V	Socket cap screw M6x12 stainless		2
45	48.20.306V	INBUS A2 STAINLESS M3x6		2
46	48.20.406V	Socket cap screw M4x6 stainless		4
47	48.20.408V	Socket cap screw M4x8 stainless		4
48	50.01.046V	Lock washer M4 stainless		8
49	50.01.057V	Washer 3.2 stainless		4
50	50.01.063V	Lock washer 5.3 stainless		2
51	50.01.065V	Lock washer 4.3 stainless		6
52	50.50.802	Washer 8x14x0.2		2

\*Recommended spare part

## 71.68.095

Parts independent of length and width

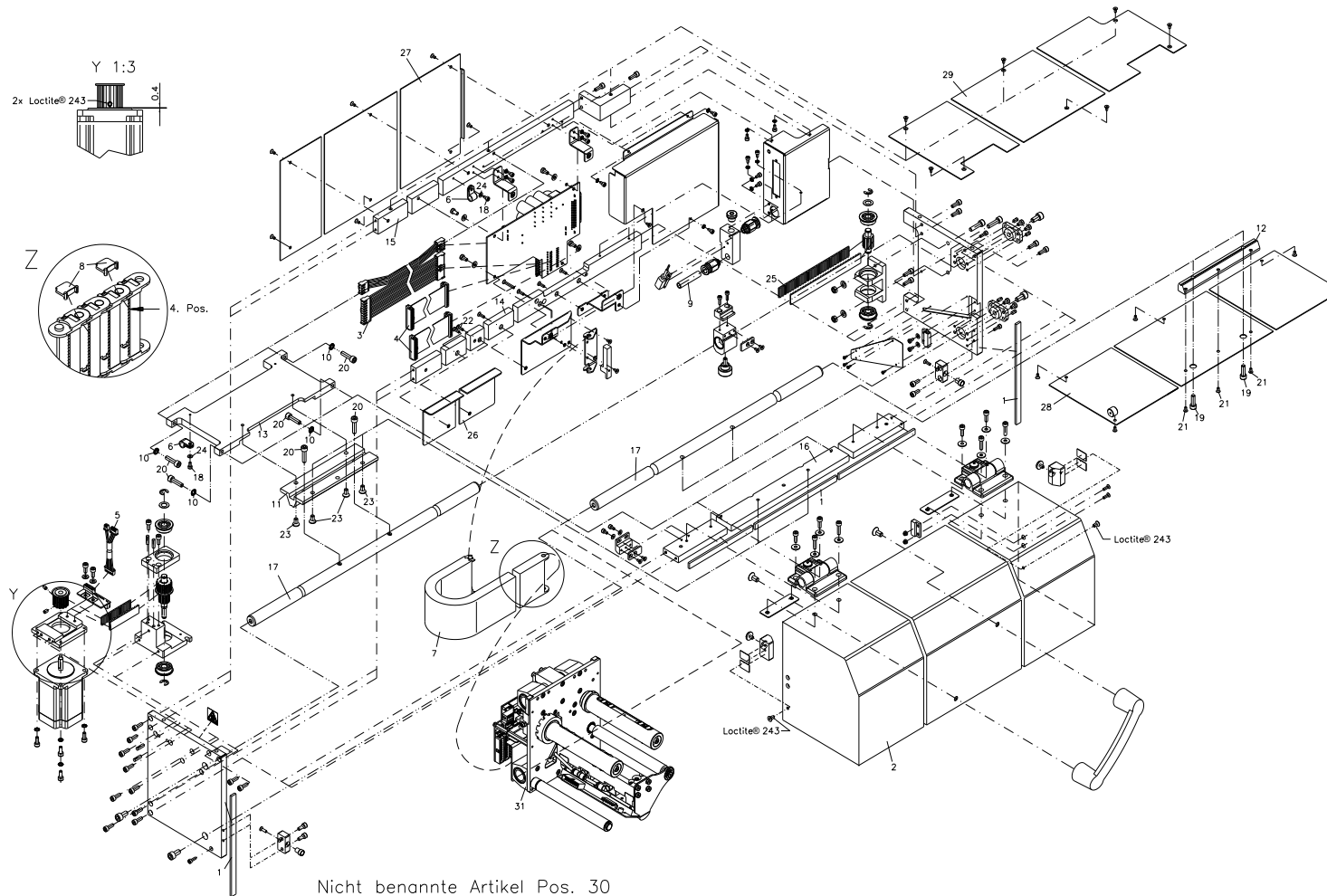
DPM IV, left

Pos	Ident-No.	Description1	Description2	Quantity
53*	57.01.030	Grooved ball bearing		4
54	57.05.014	Gripper		2
55	57.67.001	Plastic hinge, adjustable		2
56*	59.03.237	COGGED BELT		1
57	59.68.010	COGGED BELT DRIVE 10/14 T5	FOR DPM IV	1
58	59.68.014	COGGED BELT DRIVE 14 T5	FOR DPM IV	1
59	67.68.005	Connecting plate		1
60	67.68.015	COVER PLATE	FOR DPM IV	1
61	67.68.025	Angular stay		1
62	67.68.027	MOUNTING ANGLE	FOR DPM IV	1
63	67.68.046	Angle for circuit board		2
64	67.68.062	Angular stay for chain		1
65	67.68.067	Circuit plate 2,5 mm		2
66	67.68.068	COVER PLATE	FOR DPM IV	1
67	67.68.070	Support		2
68*	70.39.615	Motor board	DPM IV	1
69	70.39.631	DISTRIBUTION BOARD LEFT	MOTOR / BRAKE DPM IV	1
70	71.68.001	Drive motor cpl left/right	DPM IV	1
71*	71.68.030	Cover sensor cpl	DPM IV	1
72*	71.68.035	Switch cpl	DPM IV	1
73	72.67.026A	Toothed belt wheel cpl for belt tensioner	DPM III xi/DPM IV	1
74	72.68.066	Slider cpl	DPM IV	1

\*Recommended spare part

# 71.68.994

## Print mechanism DPM IV 128-12, left



## 71.68.994

### Print mechanism DPM IV 128-12, left

Pos	Ident-No.	Description1	Description2	Quantity
1	16.01.004	Sealing device 9x3 140mm = 0,69m 240mm = 0,79m 340mm = 0,89m 447mm = 1,00m 570mm = 1,12m 630mm = 1,18m	DPM III/DPM IV, in meters	1,00m
2	16.67.062	Cover 128x140 mm	DPM III/DPM IV	1
	16.67.063	Cover 128x240 mm	DPM III/DPM IV	1
	16.67.064	Cover 128x340 mm	DPM III/DPM IV	1
	16.67.065	Cover 128x447 mm	DPM III/DPM IV	1
	16.67.066	Cover 128x570 mm	DPM III/DPM IV	1
	16.67.067	Cover 128x630 mm	DPM III/DPM IV	1
3*	28.68.401	Connecting cable, printhead power-motors 140 mm	DPM IV, 140 mm	1
	28.68.402	Connecting cable, printhead power-motors 240 mm		1
	28.68.403	Connecting cable, printhead power-motors 340 mm	DPM IV, 340 mm	1
	28.68.404	Connecting cable, printhead power-motors 447 mm	DPM IV, 447 mm	1
	28.68.406	Connecting cable, printhead power-motors 570 mm	DPM IV, 570 mm	1
	28.68.407	Connecting cable, printhead power-motors 630 mm		1
4*	28.68.411	Connecting cable printhead-I/O signals 140 mm	carriage plate/motor plate	2
	28.68.412	Connecting cable printhead-I/O signals 240 mm	carriage plate/motor plate	2
	28.68.413	Connecting cable printhead-I/O signals 340 mm	carriage plate/motor plate	2
	28.68.414	Connecting cable printhead-I/O signals 447 mm	carriage plate/motor plate	2
	28.68.416	Connecting cable printhead-I/O signals 570 mm	carriage plate/motor plate	2
	28.68.417	Connecting cable printhead-I/O signals 630 mm	carriage plate/motor plate	2
5	28.68.431	Connecting cable motor/brake 140 mm	distributor plate-motor plate	1
	28.68.432	Connecting cable motor/brake 240 mm	distributor plate-motor plate	1
	28.68.433	Connecting cable motor/brake 340 mm	distributor plate-motor plate	1

\*Recommended spare part

## 71.68.994

### Print mechanism DPM IV 128-12, left

Pos	Ident-No.	Description1	Description2	Quantity
	28.68.434	Connecting cable motor/brake 447 mm	distributor plate-motor plate	1
	28.68.436	Connecting cable motor/brake 570 mm	distributor plate-motor plate	1
	28.68.437	Connecting cable motor/brake 630 mm	distributor plate-motor plate	1
6	35.01.022	Nylon bracket 7.4-8.4 mm		3
7	35.06.050	Energy chain 140mm = 0,22m 240mm = 0,32m 340mm = 0,42m 447mm = 0,54m 570mm = 0,66m 630mm = 0,72m	in meters	1,00m
8	35.06.054	Separating bar	DPM IV	18
9*	37.67.026	Pneumatic tube 8 mm 140mm = 0,37m 240mm = 0,47m 340mm = 0,57m 447mm = 0,69m 570mm = 0,80m 630mm = 0,86m	DPM III/Dynacode/Flexicode, in meters	1,00m
10	41.03.005V	Lock washer M5 stainless		4
11	45.68.074	SHAFT SUPPORT		1
12	45.68.076	SHAFT SUPPORT		1
13	45.68.078	SUPPORT PLATE		1
14	45.68.401	Strut below 140 mm		1
	45.68.402	Strut below 240 mm		1
	45.68.403	Strut below 340 mm		1
	45.68.404	Strut below 447 mm		1
	45.68.406	Strut below 570 mm		1
	45.68.407	Strut below 630 mm		1

\*Recommended spare part

## 71.68.994

### Print mechanism DPM IV 128-12, left

Pos	Ident-No.	Description1	Description2	Quantity
15	45.68.411	Strut above 140 mm		1
	45.68.412	Strut above 240 mm		1
	45.68.413	Strut above 340 mm		1
	45.68.414	Strut above 447 mm		1
	45.68.416	Strut above 570 mm		1
	45.68.417	Strut above 630 mm		1
16	45.68.421	Strut in front 140 mm		1
	45.68.422	Strut in front 240 mm		1
	45.68.423	Strut in front 340 mm		1
	45.68.424	Strut in front 447 mm		1
	45.68.426	Strut in front 570 mm		1
	45.68.427	Strut in front 630 mm		1
17	46.67.020	Guide shaft	DPM III 140 mm/DPM IV 140 mm	2
	46.67.023	Guide shaft	DPM III 240 mm/DPM IV 240 mm	2
	46.68.403	GUIDE SHAFT		2
	46.68.404	Guide shaft 447 mm	DPM IV 447	2
	46.68.406	GUIDE SHAFT		2
	46.68.407	GUIDE SHAFT		2
18	48.16.306V	Socket cap screw M3x6 stainless		3
19	48.16.516V	Socket cap screw M5x16 stainless		2
20	48.16.521V	Socket cap screw M5x20 stainless		6
21	48.19.306V	Socket cap screw M3x6 stainless		3
22	48.19.310V	Socket cap screw M3x10		2
23	48.19.510V	Socket cap screw M5x10 stainless		4
24	50.01.057V	Washer 3.2 stainless		3

\*Recommended spare part

## 71.68.994

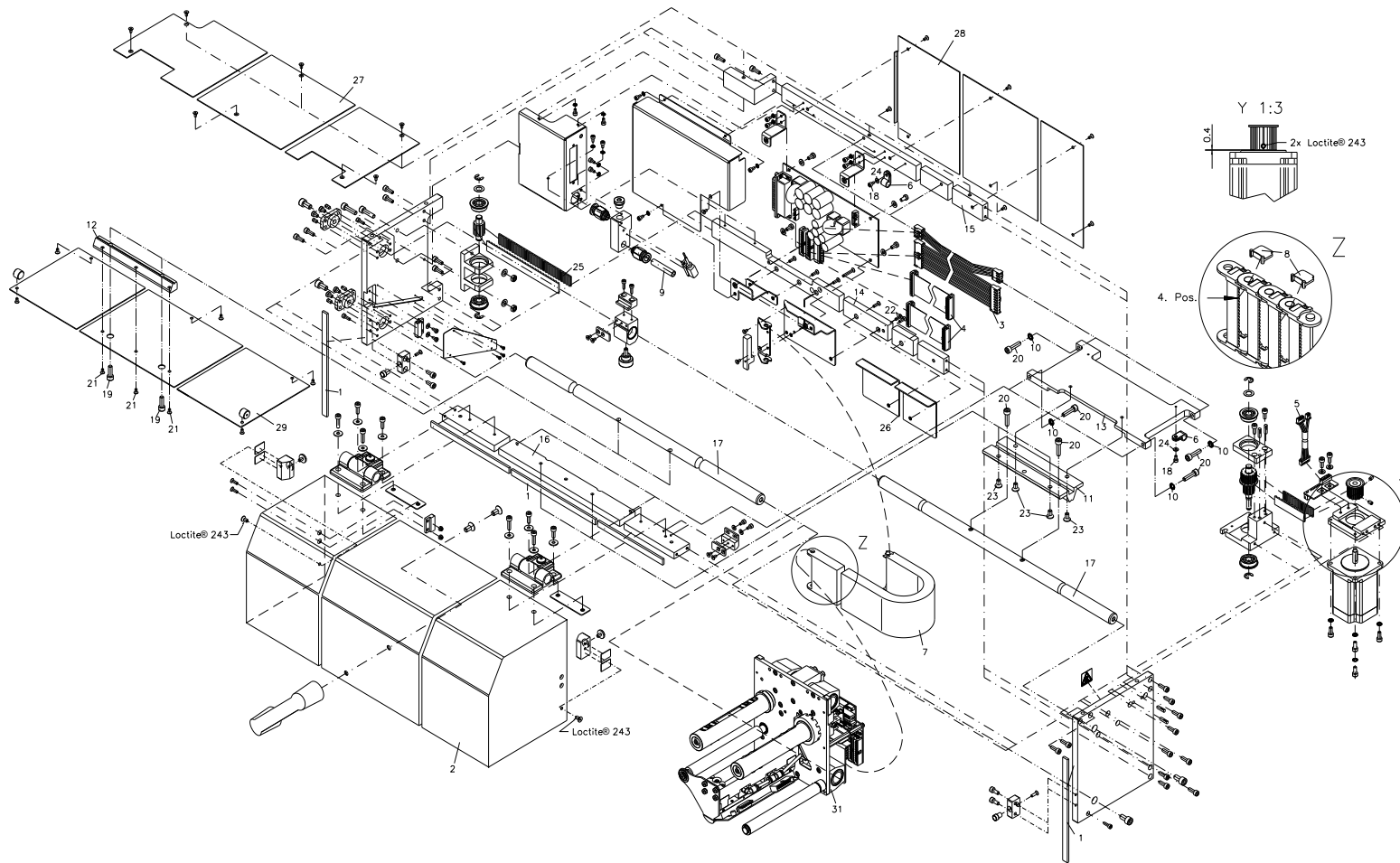
### Print mechanism DPM IV 128-12, left

Pos	Ident-No.	Description1	Description2	Quantity
25*	59.67.110	Toothed belt 140mm = 0,65m 240mm = 0,85m 340mm = 1,05m 447mm = 1,26m 570mm = 1,51m 630mm = 1,63m	DPM III/DPM IV, in meters	1,00m
26	67.68.078	CHAIN GUIDE		1
27	67.68.411	Cover back side, 140 mm		1
	67.68.412	Cover back side, 240 mm		1
	67.68.413	Cover back side, 340 mm		1
	67.68.414	Cover back side, 447 mm		1
	67.68.416	Cover back side, 570 mm		1
	67.68.417	Cover back side, 630 mm		1
28	67.68.421	Cover bottom, 140 mm		1
	67.68.422	Cover bottom, 240 mm		1
	67.68.423	Cover bottom, 340 mm		1
	67.68.424	Cover bottom, 447 mm		1
	67.68.426	Cover bottom, 570 mm		1
	67.68.427	Cover bottom, 630 mm		1
29	67.68.451	Cover above, 140 mm		1
	67.68.452	Cover above, 240 mm		1
	67.68.453	Cover above, 340 mm		1
	67.68.454	Cover above, 447 mm		1
	67.68.456	Cover above, 570 mm		1
	67.68.457	Cover above, 630 mm		1
30	71.68.095	Parts independent of length and width	DPM IV, left	1
31	71.68.395	Print carriage DPM IV 128-12, left		1

\*Recommended spare part

# 71.68.995

## Print mechanism DPM IV 128-12, right



Nicht benannte Artikel Pos. 30  
Unnamed article Pos. 30  
D'article n'est pas nommée Pos. 30  
De articulo no designado Pos. 30

## 71.68.995

### Print mechanism DPM IV 128-12, right

Pos	Ident-No.	Description1	Description2	Quantity
1	16.01.004	Sealing device 9x3 140mm = 0,69m 240mm = 0,79m 340mm = 0,89m 447mm = 1,00m 570mm = 1,12m 630mm = 1,18m	DPM III/DPM IV, in meters	1,00m
2	16.67.062	Cover 128x140 mm	DPM III/DPM IV	1
	16.67.063	Cover 128x240 mm	DPM III/DPM IV	1
	16.67.064	Cover 128x340 mm	DPM III/DPM IV	1
	16.67.065	Cover 128x447 mm	DPM III/DPM IV	1
	16.67.066	Cover 128x570 mm	DPM III/DPM IV	1
	16.67.067	Cover 128x630 mm	DPM III/DPM IV	1
3*	28.68.401	Connecting cable, printhead power-motors 140 mm	DPM IV, 140 mm	1
	28.68.402	Connecting cable, printhead power-motors 240 mm		1
	28.68.403	Connecting cable, printhead power-motors 340 mm	DPM IV, 340 mm	1
	28.68.404	Connecting cable, printhead power-motors 447 mm	DPM IV, 447 mm	1
	28.68.406	Connecting cable, printhead power-motors 570 mm	DPM IV, 570 mm	1
	28.68.407	Connecting cable, printhead power-motors 630 mm		1
4*	28.68.411	Connecting cable printhead-I/O signals 140 mm	carriage plate/motor plate	2
	28.68.412	Connecting cable printhead-I/O signals 240 mm	carriage plate/motor plate	2
	28.68.413	Connecting cable printhead-I/O signals 340 mm	carriage plate/motor plate	2
	28.68.414	Connecting cable printhead-I/O signals 447 mm	carriage plate/motor plate	2
	28.68.416	Connecting cable printhead-I/O signals 570 mm	carriage plate/motor plate	2
	28.68.417	Connecting cable printhead-I/O signals 630 mm	carriage plate/motor plate	2
5	28.68.431	Connecting cable motor/brake 140 mm	distributor plate-motor plate	1
	28.68.432	Connecting cable motor/brake 240 mm	distributor plate-motor plate	1
	28.68.433	Connecting cable motor/brake 340 mm	distributor plate-motor plate	1

\*Recommended spare part

## 71.68.995

### Print mechanism DPM IV 128-12, right

Pos	Ident-No.	Description1	Description2	Quantity
	28.68.434	Connecting cable motor/brake 447 mm	distributor plate-motor plate	1
	28.68.436	Connecting cable motor/brake 570 mm	distributor plate-motor plate	1
	28.68.437	Connecting cable motor/brake 630 mm	distributor plate-motor plate	1
6	35.01.022	Nylon bracket 7.4-8.4 mm		3
7	35.06.050	Energy chain 140mm = 0,22m 240mm = 0,32m 340mm = 0,42m 447mm = 0,54m 570mm = 0,66m 630mm = 0,72m	in meters	1,00m
8	35.06.054	Separating bar	DPM IV	18
9*	37.67.026	Pneumatic tube 8 mm 140mm = 0,37m 240mm = 0,47m 340mm = 0,57m 447mm = 0,69m 570mm = 0,80m 630mm = 0,86m	DPM III/Dynacode/Flexicode, in meters	1,00m
10	41.03.005V	Lock washer M5 stainless		4
11	45.68.074	SHAFT SUPPORT		1
12	45.68.076	SHAFT SUPPORT		1
13	45.68.078	SUPPORT PLATE		1
14	45.68.401	Strut below 140 mm		1
	45.68.402	Strut below 240 mm		1
	45.68.403	Strut below 340 mm		1
	45.68.404	Strut below 447 mm		1
	45.68.406	Strut below 570 mm		1
	45.68.407	Strut below 630 mm		1

\*Recommended spare part

## 71.68.995

### Print mechanism DPM IV 128-12, right

Pos	Ident-No.	Description1	Description2	Quantity
15	45.68.411	Strut above 140 mm		1
	45.68.412	Strut above 240 mm		1
	45.68.413	Strut above 340 mm		1
	45.68.414	Strut above 447 mm		1
	45.68.416	Strut above 570 mm		1
	45.68.417	Strut above 630 mm		1
16	45.68.421	Strut in front 140 mm		1
	45.68.422	Strut in front 240 mm		1
	45.68.423	Strut in front 340 mm		1
	45.68.424	Strut in front 447 mm		1
	45.68.426	Strut in front 570 mm		1
	45.68.427	Strut in front 630 mm		1
17	46.67.020	Guide shaft	DPM III 140 mm/DPM IV 140 mm	2
	46.67.023	Guide shaft	DPM III 240 mm/DPM IV 240 mm	2
	46.68.403	GUIDE SHAFT		2
	46.68.404	Guide shaft 447 mm	DPM IV 447	2
	46.68.406	GUIDE SHAFT		2
	46.68.407	GUIDE SHAFT		2
18	48.16.306V	Socket cap screw M3x6 stainless		3
19	48.16.516V	Socket cap screw M5x16 stainless		2
20	48.16.521V	Socket cap screw M5x20 stainless		6
21	48.19.306V	Socket cap screw M3x6 stainless		3
22	48.19.310V	Socket cap screw M3x10		2
23	48.19.510V	Socket cap screw M5x10 stainless		4
24	50.01.057V	Washer 3.2 stainless		3

\*Recommended spare part

## 71.68.995

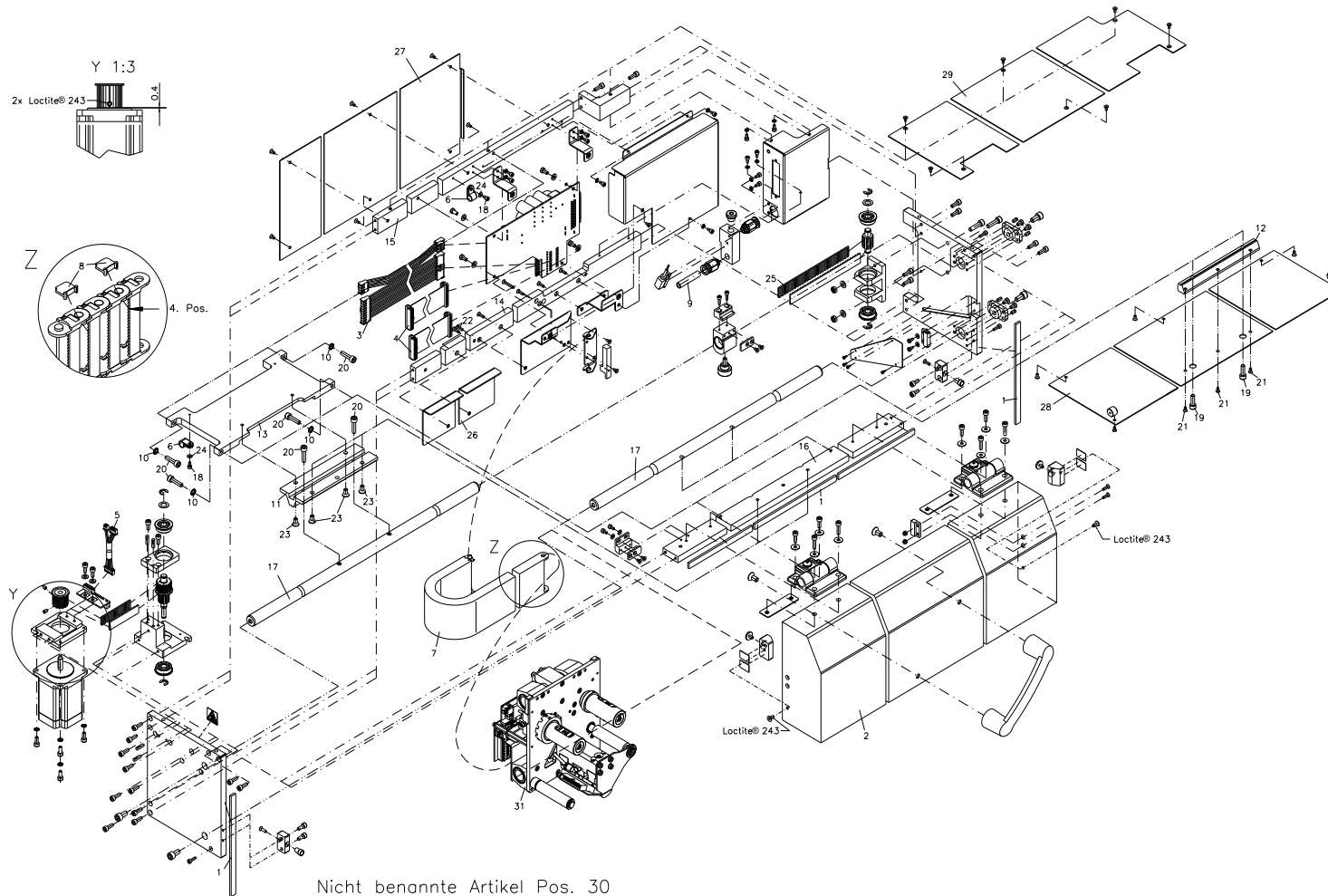
### Print mechanism DPM IV 128-12, right

Pos	Ident-No.	Description1	Description2	Quantity
25*	59.67.110	Toothed belt 140mm = 0,65m 240mm = 0,85m 340mm = 1,05m 447mm = 1,26m 570mm = 1,51m 630mm = 1,63m	DPM III/DPM IV, in meters	1,00m
26	67.68.078	CHAIN GUIDE		1
27	67.68.401	Cover above, 140 mm		1
	67.68.402	Cover above, 240 mm		1
	67.68.403	Cover above, 340 mm		1
	67.68.404	Cover above, 447 mm		1
	67.68.406	Cover above, 570 mm		1
	67.68.407	Cover above, 630 mm		1
28	67.68.411	Cover back side, 140 mm		1
	67.68.412	Cover back side, 240 mm		1
	67.68.413	Cover back side, 340 mm		1
	67.68.414	Cover back side, 447 mm		1
	67.68.416	Cover back side, 570 mm		1
	67.68.417	Cover back side, 630 mm		1
29	67.68.421	Cover bottom, 140 mm		1
	67.68.422	Cover bottom, 240 mm		1
	67.68.423	Cover bottom, 340 mm		1
	67.68.424	Cover bottom, 447 mm		1
	67.68.426	Cover bottom, 570 mm		1
	67.68.427	Cover bottom, 630 mm		1
30	71.68.090	Parts independent of length and width	DPM IV, right	1
31	71.68.390	Print carriage DPM IV 128-12, right		1

\*Recommended spare part

# 71.68.996

## Print mechanism DPM IV 53-12, left



Nicht benannte Artikel Pos. 30  
Unnamed article Pos. 30  
D'article n'est pas nommée Pos. 30  
De articulo no designado Pos. 30

## 71.68.996

### Print mechanism DPM IV 53-12, left

Pos	Ident-No.	Description1	Description2	Quantity
1	16.01.004	Sealing device 9x3 140mm = 0,69m 240mm = 0,79m 340mm = 0,89m 447mm = 1,00m 570mm = 1,12m 630mm = 1,18m	DPM III/DPM IV, in meters	1,00m
2	16.67.110	Cover 53x570 mm	DPM III/DPM IV	1
	16.67.120	Cover 53x240 mm	DPM III/DPM IV	1
	16.67.130	Cover 53x340 mm	DPM III/DPM IV	1
	16.67.135	Cover 53x140 mm	DPM III/DPM IV	1
	16.67.140	Cover 53x447 mm	DPM III/DPM IV	1
	16.67.142	Cover 53x630 mm	DPM III/DPM IV	1
3*	28.68.401	Connecting cable, printhead power-motors 140 mm	DPM IV, 140 mm	1
	28.68.402	Connecting cable, printhead power-motors 240 mm		1
	28.68.403	Connecting cable, printhead power-motors 340 mm	DPM IV, 340 mm	1
	28.68.404	Connecting cable, printhead power-motors 447 mm	DPM IV, 447 mm	1
	28.68.406	Connecting cable, printhead power-motors 570 mm	DPM IV, 570 mm	1
	28.68.407	Connecting cable, printhead power-motors 630 mm		1
4*	28.68.411	Connecting cable printhead-I/O signals 140 mm	carriage plate/motor plate	2
	28.68.412	Connecting cable printhead-I/O signals 240 mm	carriage plate/motor plate	2
	28.68.413	Connecting cable printhead-I/O signals 340 mm	carriage plate/motor plate	2
	28.68.414	Connecting cable printhead-I/O signals 447 mm	carriage plate/motor plate	2
	28.68.416	Connecting cable printhead-I/O signals 570 mm	carriage plate/motor plate	2
	28.68.417	Connecting cable printhead-I/O signals 630 mm	carriage plate/motor plate	2
5	28.68.431	Connecting cable motor/brake 140 mm	distributor plate-motor plate	1
	28.68.432	Connecting cable motor/brake 240 mm	distributor plate-motor plate	1
	28.68.433	Connecting cable motor/brake 340 mm	distributor plate-motor plate	1

\*Recommended spare part

## 71.68.996

### Print mechanism DPM IV 53-12, left

Pos	Ident-No.	Description1	Description2	Quantity
	28.68.434	Connecting cable motor/brake 447 mm	distributor plate-motor plate	1
	28.68.436	Connecting cable motor/brake 570 mm	distributor plate-motor plate	1
	28.68.437	Connecting cable motor/brake 630 mm	distributor plate-motor plate	1
6	35.01.022	Nylon bracket 7.4-8.4 mm		3
7	35.06.050	Energy chain 140mm = 0,22m 240mm = 0,32m 340mm = 0,42m 447mm = 0,54m 570mm = 0,66m 630mm = 0,72m	in meters	1,00m
8	35.06.054	Separating bar	DPM IV	18
9*	37.67.026	Pneumatic tube 8 mm 140mm = 0,37m 240mm = 0,47m 340mm = 0,57m 447mm = 0,69m 570mm = 0,80m 630mm = 0,86m	DPM III/Dynacode/Flexicode, in meters	1,00m
10	41.03.005V	Lock washer M5 stainless		4
11	45.68.074	SHAFT SUPPORT		1
12	45.68.076	SHAFT SUPPORT		1
13	45.68.078	SUPPORT PLATE		1
14	45.68.401	Strut below 140 mm		1
	45.68.402	Strut below 240 mm		1
	45.68.403	Strut below 340 mm		1
	45.68.404	Strut below 447 mm		1
	45.68.406	Strut below 570 mm		1
	45.68.407	Strut below 630 mm		1

\*Recommended spare part

## 71.68.996

### Print mechanism DPM IV 53-12, left

Pos	Ident-No.	Description1	Description2	Quantity
15	45.68.411	Strut above 140 mm		1
	45.68.412	Strut above 240 mm		1
	45.68.413	Strut above 340 mm		1
	45.68.414	Strut above 447 mm		1
	45.68.416	Strut above 570 mm		1
	45.68.417	Strut above 630 mm		1
16	45.68.421	Strut in front 140 mm		1
	45.68.422	Strut in front 240 mm		1
	45.68.423	Strut in front 340 mm		1
	45.68.424	Strut in front 447 mm		1
	45.68.426	Strut in front 570 mm		1
	45.68.427	Strut in front 630 mm		1
17	46.67.020	Guide shaft	DPM III 140 mm/DPM IV 140 mm	2
	46.67.023	Guide shaft	DPM III 240 mm/DPM IV 240 mm	2
	46.68.403	GUIDE SHAFT		2
	46.68.404	Guide shaft 447 mm	DPM IV 447	2
	46.68.406	GUIDE SHAFT		2
	46.68.407	GUIDE SHAFT		2
18	48.16.306V	Socket cap screw M3x6 stainless		3
19	48.16.516V	Socket cap screw M5x16 stainless		2
20	48.16.521V	Socket cap screw M5x20 stainless		6
21	48.19.306V	Socket cap screw M3x6 stainless		3
22	48.19.310V	Socket cap screw M3x10		2
23	48.19.510V	Socket cap screw M5x10 stainless		4
24	50.01.057V	Washer 3.2 stainless		3

\*Recommended spare part

## 71.68.996

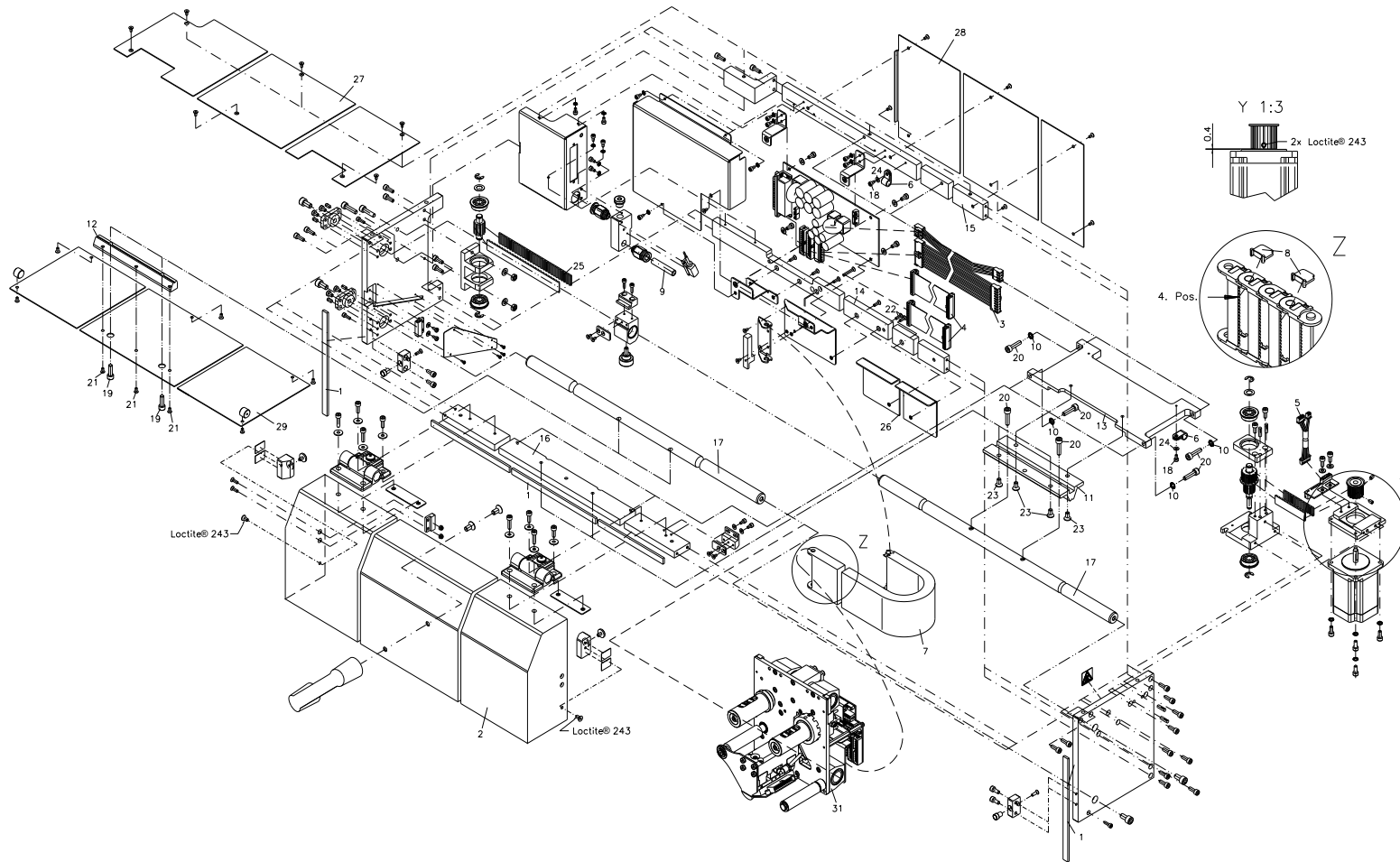
### Print mechanism DPM IV 53-12, left

Pos	Ident-No.	Description1	Description2	Quantity
25*	59.67.110	Toothed belt 140mm = 0,65m 240mm = 0,85m 340mm = 1,05m 447mm = 1,26m 570mm = 1,51m 630mm = 1,63m	DPM III/DPM IV, in meters	1,00m
26	67.68.078	CHAIN GUIDE		1
27	67.68.411	Cover back side, 140 mm		1
	67.68.412	Cover back side, 240 mm		1
	67.68.413	Cover back side, 340 mm		1
	67.68.414	Cover back side, 447 mm		1
	67.68.416	Cover back side, 570 mm		1
	67.68.417	Cover back side, 630 mm		1
28	67.68.421	Cover bottom, 140 mm		1
	67.68.422	Cover bottom, 240 mm		1
	67.68.423	Cover bottom, 340 mm		1
	67.68.424	Cover bottom, 447 mm		1
	67.68.426	Cover bottom, 570 mm		1
	67.68.427	Cover bottom, 630 mm		1
29	67.68.451	Cover above, 140 mm		1
	67.68.452	Cover above, 240 mm		1
	67.68.453	Cover above, 340 mm		1
	67.68.454	Cover above, 447 mm		1
	67.68.456	Cover above, 570 mm		1
	67.68.457	Cover above, 630 mm		1
30	71.68.095	Parts independent of length and width	DPM IV, left	1
31	71.68.195	Print carriage DPM IV 53-12, left		1

\*Recommended spare part

71.68.997

Print mechanism DPM IV 53-12, right



Nicht benannte Artikel Pos. 30  
Unnamed article Pos. 30  
D'article n'est pas nommée Pos. 30  
De articulo no designado Pos. 30

## 71.68.997

### Print mechanism DPM IV 53-12, right

Pos	Ident-No.	Description1	Description2	Quantity
1	16.01.004	Sealing device 9x3 140mm = 0,69m 240mm = 0,79m 340mm = 0,89m 447mm = 1,00m 570mm = 1,12m 630mm = 1,18m	DPM III/DPM IV, in meters	1,00m
2	16.67.110	Cover 53x570 mm	DPM III/DPM IV	1
	16.67.120	Cover 53x240 mm	DPM III/DPM IV	1
	16.67.130	Cover 53x340 mm	DPM III/DPM IV	1
	16.67.135	Cover 53x140 mm	DPM III/DPM IV	1
	16.67.140	Cover 53x447 mm	DPM III/DPM IV	1
	16.67.142	Cover 53x630 mm	DPM III/DPM IV	1
3*	28.68.401	Connecting cable, printhead power-motors 140 mm	DPM IV, 140 mm	1
	28.68.402	Connecting cable, printhead power-motors 240 mm		1
	28.68.403	Connecting cable, printhead power-motors 340 mm	DPM IV, 340 mm	1
	28.68.404	Connecting cable, printhead power-motors 447 mm	DPM IV, 447 mm	1
	28.68.406	Connecting cable, printhead power-motors 570 mm	DPM IV, 570 mm	1
	28.68.407	Connecting cable, printhead power-motors 630 mm		1
4*	28.68.411	Connecting cable printhead-I/O signals 140 mm	carriage plate/motor plate	2
	28.68.412	Connecting cable printhead-I/O signals 240 mm	carriage plate/motor plate	2
	28.68.413	Connecting cable printhead-I/O signals 340 mm	carriage plate/motor plate	2
	28.68.414	Connecting cable printhead-I/O signals 447 mm	carriage plate/motor plate	2
	28.68.416	Connecting cable printhead-I/O signals 570 mm	carriage plate/motor plate	2
	28.68.417	Connecting cable printhead-I/O signals 630 mm	carriage plate/motor plate	2
5	28.68.431	Connecting cable motor/brake 140 mm	distributor plate-motor plate	1
	28.68.432	Connecting cable motor/brake 240 mm	distributor plate-motor plate	1
	28.68.433	Connecting cable motor/brake 340 mm	distributor plate-motor plate	1

\*Recommended spare part

## 71.68.997

### Print mechanism DPM IV 53-12, right

Pos	Ident-No.	Description1	Description2	Quantity
	28.68.434	Connecting cable motor/brake 447 mm	distributor plate-motor plate	1
	28.68.436	Connecting cable motor/brake 570 mm	distributor plate-motor plate	1
	28.68.437	Connecting cable motor/brake 630 mm	distributor plate-motor plate	1
6	35.01.022	Nylon bracket 7.4-8.4 mm		3
7	35.06.050	Energy chain 140mm = 0,22m 240mm = 0,32m 340mm = 0,42m 447mm = 0,54m 570mm = 0,66m 630mm = 0,72m	in meters	1,00m
8	35.06.054	Separating bar	DPM IV	18
9*	37.67.026	Pneumatic tube 8 mm 140mm = 0,37m 240mm = 0,47m 340mm = 0,57m 447mm = 0,69m 570mm = 0,80m 630mm = 0,86m	DPM III/Dynacode/Flexicode, in meters	1,00m
10	41.03.005V	Lock washer M5 stainless		4
11	45.68.074	SHAFT SUPPORT		1
12	45.68.076	SHAFT SUPPORT		1
13	45.68.078	SUPPORT PLATE		1
14	45.68.401	Strut below 140 mm		1
	45.68.402	Strut below 240 mm		1
	45.68.403	Strut below 340 mm		1
	45.68.404	Strut below 447 mm		1
	45.68.406	Strut below 570 mm		1
	45.68.407	Strut below 630 mm		1

\*Recommended spare part

## 71.68.997

### Print mechanism DPM IV 53-12, right

Pos	Ident-No.	Description1	Description2	Quantity
15	45.68.411	Strut above 140 mm		1
	45.68.412	Strut above 240 mm		1
	45.68.413	Strut above 340 mm		1
	45.68.414	Strut above 447 mm		1
	45.68.416	Strut above 570 mm		1
	45.68.417	Strut above 630 mm		1
16	45.68.421	Strut in front 140 mm		1
	45.68.422	Strut in front 240 mm		1
	45.68.423	Strut in front 340 mm		1
	45.68.424	Strut in front 447 mm		1
	45.68.426	Strut in front 570 mm		1
	45.68.427	Strut in front 630 mm		1
17	46.67.020	Guide shaft	DPM III 140 mm/DPM IV 140 mm	2
	46.67.023	Guide shaft	DPM III 240 mm/DPM IV 240 mm	2
	46.68.403	GUIDE SHAFT		2
	46.68.404	Guide shaft 447 mm	DPM IV 447	2
	46.68.406	GUIDE SHAFT		2
	46.68.407	GUIDE SHAFT		2
18	48.16.306V	Socket cap screw M3x6 stainless		3
19	48.16.516V	Socket cap screw M5x16 stainless		2
20	48.16.521V	Socket cap screw M5x20 stainless		6
21	48.19.306V	Socket cap screw M3x6 stainless		3
22	48.19.310V	Socket cap screw M3x10		2
23	48.19.510V	Socket cap screw M5x10 stainless		4
24	50.01.057V	Washer 3.2 stainless		3

\*Recommended spare part

## 71.68.997

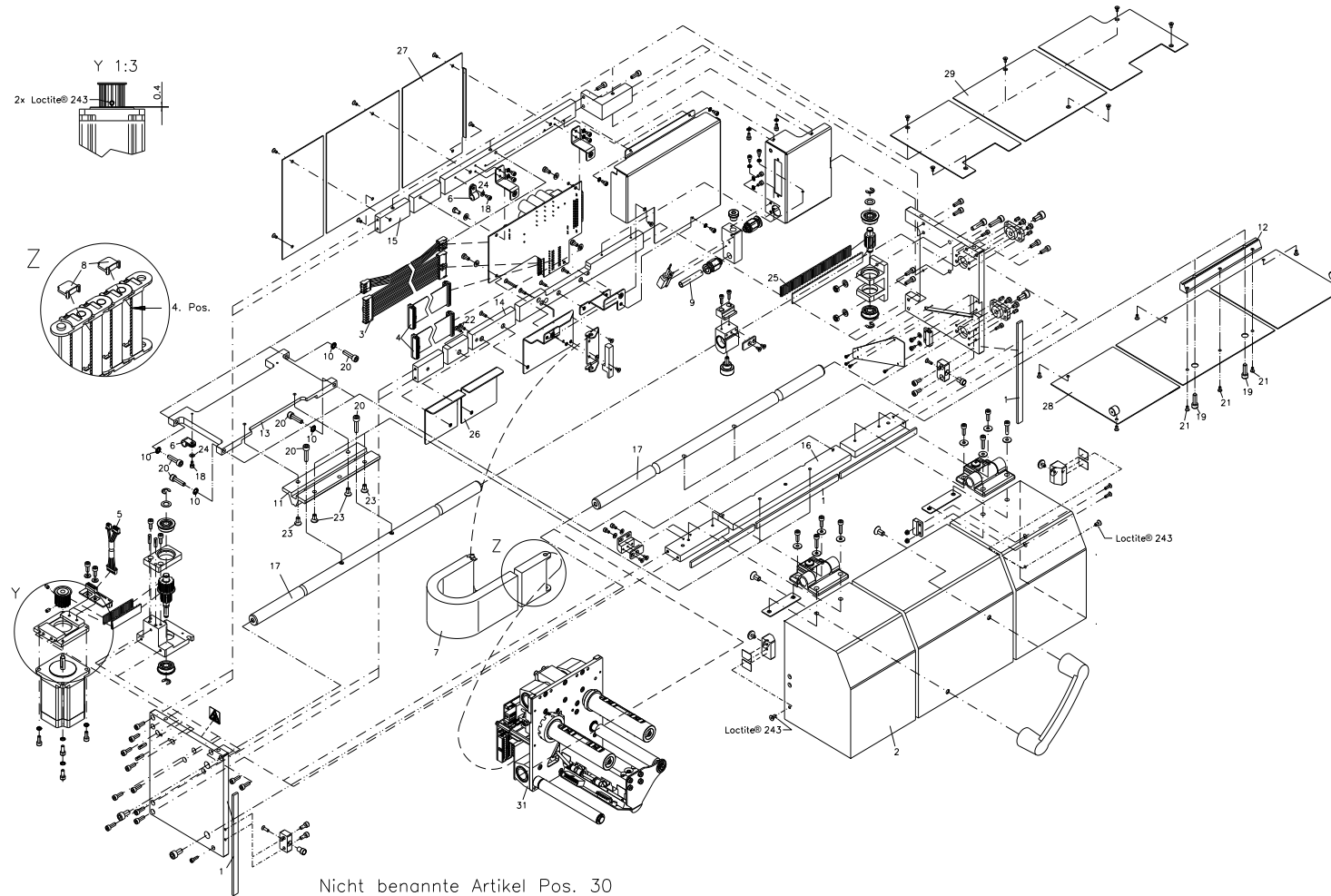
### Print mechanism DPM IV 53-12, right

Pos	Ident-No.	Description1	Description2	Quantity
25*	59.67.110	Toothed belt 140mm = 0,65m 240mm = 0,85m 340mm = 1,05m 447mm = 1,26m 570mm = 1,51m 630mm = 1,63m	DPM III/DPM IV, in meters	1,00m
26	67.68.078	CHAIN GUIDE		1
27	67.68.401	Cover above, 140 mm		1
	67.68.402	Cover above, 240 mm		1
	67.68.403	Cover above, 340 mm		1
	67.68.404	Cover above, 447 mm		1
	67.68.406	Cover above, 570 mm		1
	67.68.407	Cover above, 630 mm		1
28	67.68.411	Cover back side, 140 mm		1
	67.68.412	Cover back side, 240 mm		1
	67.68.413	Cover back side, 340 mm		1
	67.68.414	Cover back side, 447 mm		1
	67.68.416	Cover back side, 570 mm		1
	67.68.417	Cover back side, 630 mm		1
29	67.68.421	Cover bottom, 140 mm		1
	67.68.422	Cover bottom, 240 mm		1
	67.68.423	Cover bottom, 340 mm		1
	67.68.424	Cover bottom, 447 mm		1
	67.68.426	Cover bottom, 570 mm		1
	67.68.427	Cover bottom, 630 mm		1
30	71.68.090	Parts independent of length and width	DPM IV, right	1
31	71.68.190	Print carriage DPM IV 53-12, right		1

\*Recommended spare part

# 71.68.998

## Print mechanism DPM IV 107-12, left



Nicht benannte Artikel Pos. 30  
Unnamed article Pos. 30  
D'article n'est pas nommée Pos. 30  
De articulo no designado Pos. 30

## 71.68.998

### Print mechanism DPM IV 107-12, left

Pos	Ident-No.	Description1	Description2	Quantity
1	16.01.004	Sealing device 9x3 140mm = 0,69m 240mm = 0,79m 340mm = 0,89m 447mm = 1,00m 570mm = 1,12m 630mm = 1,18m	DPM III/DPM IV, in meters	1,00m
2	16.67.010	Cover 107x570 mm	DPM III/DPM IV	1
	16.67.020	Cover 107x240 mm	DPM III/DPM IV	1
	16.67.035	Cover 107x140 mm	DPM III/DPM IV	1
	16.67.037	Cover 107x340 mm	DPM III/DPM IV	1
	16.67.040	Cover 107x447 mm	DPM III/DPM IV	1
	16.67.050	Cover 107x630 mm	DPM III/DPM IV	1
3*	28.68.401	Connecting cable, printhead power-motors 140 mm	DPM IV, 140 mm	1
	28.68.402	Connecting cable, printhead power-motors 240 mm		1
	28.68.403	Connecting cable, printhead power-motors 340 mm	DPM IV, 340 mm	1
	28.68.404	Connecting cable, printhead power-motors 447 mm	DPM IV, 447 mm	1
	28.68.406	Connecting cable, printhead power-motors 570 mm	DPM IV, 570 mm	1
	28.68.407	Connecting cable, printhead power-motors 630 mm		1
4*	28.68.411	Connecting cable printhead-I/O signals 140 mm	carriage plate/motor plate	2
	28.68.412	Connecting cable printhead-I/O signals 240 mm	carriage plate/motor plate	2
	28.68.413	Connecting cable printhead-I/O signals 340 mm	carriage plate/motor plate	2
	28.68.414	Connecting cable printhead-I/O signals 447 mm	carriage plate/motor plate	2
	28.68.416	Connecting cable printhead-I/O signals 570 mm	carriage plate/motor plate	2
	28.68.417	Connecting cable printhead-I/O signals 630 mm	carriage plate/motor plate	2
5	28.68.431	Connecting cable motor/brake 140 mm	distributor plate-motor plate	1
	28.68.432	Connecting cable motor/brake 240 mm	distributor plate-motor plate	1
	28.68.433	Connecting cable motor/brake 340 mm	distributor plate-motor plate	1

\*Recommended spare part

## 71.68.998

### Print mechanism DPM IV 107-12, left

Pos	Ident-No.	Description1	Description2	Quantity
	28.68.434	Connecting cable motor/brake 447 mm	distributor plate-motor plate	1
	28.68.436	Connecting cable motor/brake 570 mm	distributor plate-motor plate	1
	28.68.437	Connecting cable motor/brake 630 mm	distributor plate-motor plate	1
6	35.01.022	Nylon bracket 7.4-8.4 mm		3
7	35.06.050	Energy chain 140mm = 0,22m 240mm = 0,32m 340mm = 0,42m 447mm = 0,54m 570mm = 0,66m 630mm = 0,72m	in meters	1,00m
8	35.06.054	Separating bar	DPM IV	18
9*	37.67.026	Pneumatic tube 8 mm 140mm = 0,37m 240mm = 0,47m 340mm = 0,57m 447mm = 0,69m 570mm = 0,80m 630mm = 0,86m	DPM III/Dynacode/Flexicode, in meters	1,00m
10	41.03.005V	Lock washer M5 stainless		4
11	45.68.074	SHAFT SUPPORT		1
12	45.68.076	SHAFT SUPPORT		1
13	45.68.078	SUPPORT PLATE		1
14	45.68.401	Strut below 140 mm		1
	45.68.402	Strut below 240 mm		1
	45.68.403	Strut below 340 mm		1
	45.68.404	Strut below 447 mm		1
	45.68.406	Strut below 570 mm		1
	45.68.407	Strut below 630 mm		1

\*Recommended spare part

## 71.68.998

### Print mechanism DPM IV 107-12, left

Pos	Ident-No.	Description1	Description2	Quantity
15	45.68.411	Strut above 140 mm		1
	45.68.412	Strut above 240 mm		1
	45.68.413	Strut above 340 mm		1
	45.68.414	Strut above 447 mm		1
	45.68.416	Strut above 570 mm		1
	45.68.417	Strut above 630 mm		1
16	45.68.421	Strut in front 140 mm		1
	45.68.422	Strut in front 240 mm		1
	45.68.423	Strut in front 340 mm		1
	45.68.424	Strut in front 447 mm		1
	45.68.426	Strut in front 570 mm		1
	45.68.427	Strut in front 630 mm		1
17	46.67.020	Guide shaft	DPM III 140 mm/DPM IV 140 mm	2
	46.67.023	Guide shaft	DPM III 240 mm/DPM IV 240 mm	2
	46.68.403	GUIDE SHAFT		2
	46.68.404	Guide shaft 447 mm	DPM IV 447	2
	46.68.406	GUIDE SHAFT		2
	46.68.407	GUIDE SHAFT		2
18	48.16.306V	Socket cap screw M3x6 stainless		3
19	48.16.516V	Socket cap screw M5x16 stainless		2
20	48.16.521V	Socket cap screw M5x20 stainless		6
21	48.19.306V	Socket cap screw M3x6 stainless		3
22	48.19.310V	Socket cap screw M3x10		2
23	48.19.510V	Socket cap screw M5x10 stainless		4
24	50.01.057V	Washer 3.2 stainless		3

\*Recommended spare part

## 71.68.998

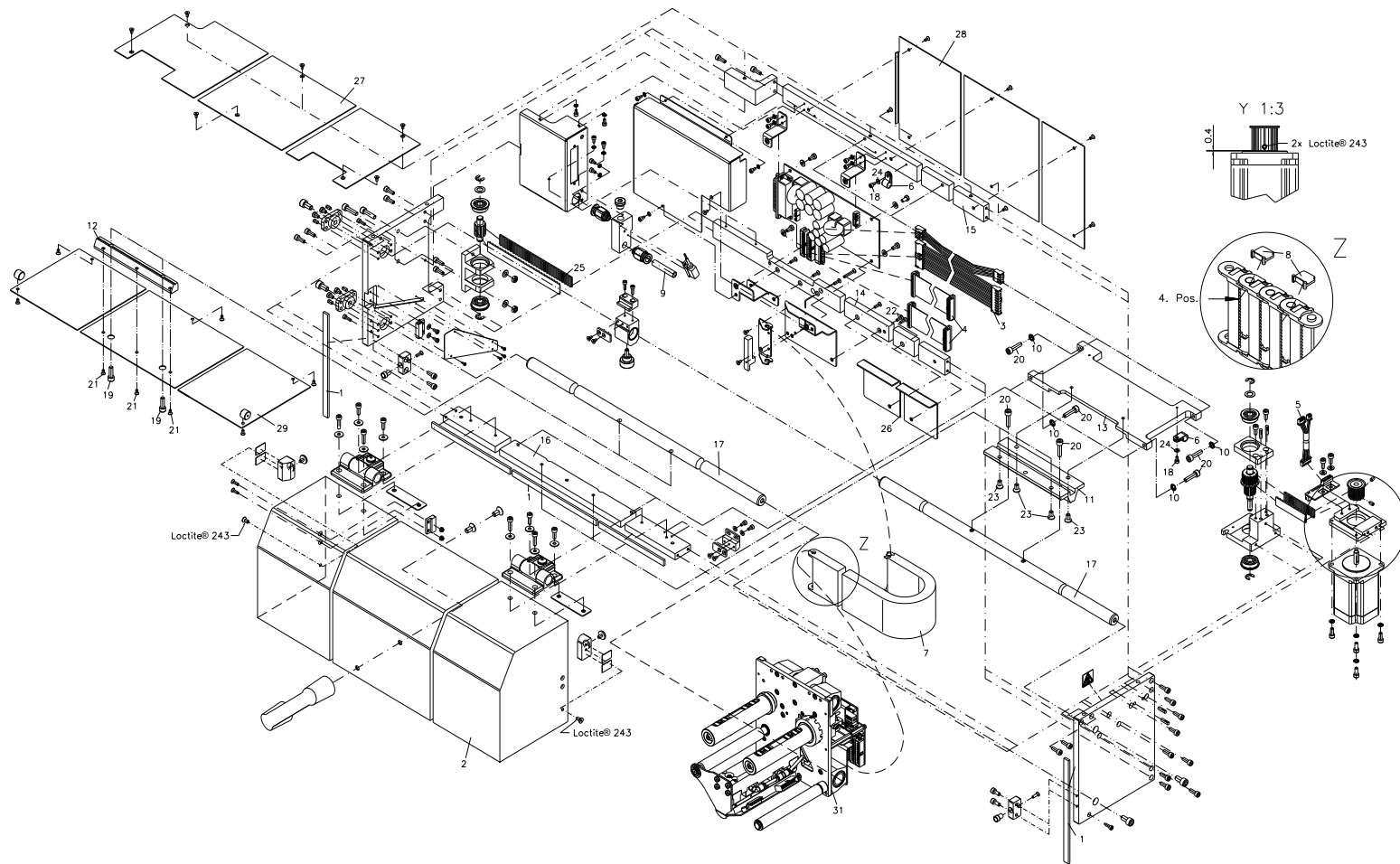
### Print mechanism DPM IV 107-12, left

Pos	Ident-No.	Description1	Description2	Quantity
25*	59.67.110	Toothed belt 140mm = 0,65m 240mm = 0,85m 340mm = 1,05m 447mm = 1,26m 570mm = 1,51m 630mm = 1,63m	DPM III/DPM IV, in meters	1,00m
26	67.68.078	CHAIN GUIDE		1
27	67.68.411	Cover back side, 140 mm		1
	67.68.412	Cover back side, 240 mm		1
	67.68.413	Cover back side, 340 mm		1
	67.68.414	Cover back side, 447 mm		1
	67.68.416	Cover back side, 570 mm		1
	67.68.417	Cover back side, 630 mm		1
28	67.68.421	Cover bottom, 140 mm		1
	67.68.422	Cover bottom, 240 mm		1
	67.68.423	Cover bottom, 340 mm		1
	67.68.424	Cover bottom, 447 mm		1
	67.68.426	Cover bottom, 570 mm		1
	67.68.427	Cover bottom, 630 mm		1
29	67.68.451	Cover above, 140 mm		1
	67.68.452	Cover above, 240 mm		1
	67.68.453	Cover above, 340 mm		1
	67.68.454	Cover above, 447 mm		1
	67.68.456	Cover above, 570 mm		1
	67.68.457	Cover above, 630 mm		1
30	71.68.095	Parts independent of length and width	DPM IV, left	1
31	71.68.295	Print carriage DPM IV 107-12, left		1

\*Recommended spare part

71.68.999

Print mechanism DPM IV 107-12, right



Nicht benannte Artikel Pos. 30  
Unnamed article Pos. 30  
D'article n'est pas nommée Pos. 30  
De articulo no designado Pos. 30

## 71.68.999

### Print mechanism DPM IV 107-12, right

Pos	Ident-No.	Description1	Description2	Quantity
1	16.01.004	Sealing device 9x3 140mm = 0,69m 240mm = 0,79m 340mm = 0,89m 447mm = 1,00m 570mm = 1,12m 630mm = 1,18m	DPM III/DPM IV, in meters	1,00m
2	16.67.010	Cover 107x570 mm	DPM III/DPM IV	1
	16.67.020	Cover 107x240 mm	DPM III/DPM IV	1
	16.67.035	Cover 107x140 mm	DPM III/DPM IV	1
	16.67.037	Cover 107x340 mm	DPM III/DPM IV	1
	16.67.040	Cover 107x447 mm	DPM III/DPM IV	1
	16.67.050	Cover 107x630 mm	DPM III/DPM IV	1
3*	28.68.401	Connecting cable, printhead power-motors 140 mm	DPM IV, 140 mm	1
	28.68.402	Connecting cable, printhead power-motors 240 mm		1
	28.68.403	Connecting cable, printhead power-motors 340 mm	DPM IV, 340 mm	1
	28.68.404	Connecting cable, printhead power-motors 447 mm	DPM IV, 447 mm	1
	28.68.406	Connecting cable, printhead power-motors 570 mm	DPM IV, 570 mm	1
	28.68.407	Connecting cable, printhead power-motors 630 mm		1
4*	28.68.411	Connecting cable printhead-I/O signals 140 mm	carriage plate/motor plate	2
	28.68.412	Connecting cable printhead-I/O signals 240 mm	carriage plate/motor plate	2
	28.68.413	Connecting cable printhead-I/O signals 340 mm	carriage plate/motor plate	2
	28.68.414	Connecting cable printhead-I/O signals 447 mm	carriage plate/motor plate	2
	28.68.416	Connecting cable printhead-I/O signals 570 mm	carriage plate/motor plate	2
	28.68.417	Connecting cable printhead-I/O signals 630 mm	carriage plate/motor plate	2
5	28.68.431	Connecting cable motor/brake 140 mm	distributor plate-motor plate	1
	28.68.432	Connecting cable motor/brake 240 mm	distributor plate-motor plate	1
	28.68.433	Connecting cable motor/brake 340 mm	distributor plate-motor plate	1

\*Recommended spare part

## 71.68.999

### Print mechanism DPM IV 107-12, right

Pos	Ident-No.	Description1	Description2	Quantity
	28.68.434	Connecting cable motor/brake 447 mm	distributor plate-motor plate	1
	28.68.436	Connecting cable motor/brake 570 mm	distributor plate-motor plate	1
	28.68.437	Connecting cable motor/brake 630 mm	distributor plate-motor plate	1
6	35.01.022	Nylon bracket 7.4-8.4 mm		3
7	35.06.050	Energy chain 140mm = 0,22m 240mm = 0,32m 340mm = 0,42m 447mm = 0,54m 570mm = 0,66m 630mm = 0,72m	in meters	1,00m
8	35.06.054	Separating bar	DPM IV	18
9*	37.67.026	Pneumatic tube 8 mm 140mm = 0,37m 240mm = 0,47m 340mm = 0,57m 447mm = 0,69m 570mm = 0,80m 630mm = 0,86m	DPM III/Dynacode/Flexicode, in meters	1,00m
10	41.03.005V	Lock washer M5 stainless		4
11	45.68.074	SHAFT SUPPORT		1
12	45.68.076	SHAFT SUPPORT		1
13	45.68.078	SUPPORT PLATE		1
14	45.68.401	Strut below 140 mm		1
	45.68.402	Strut below 240 mm		1
	45.68.403	Strut below 340 mm		1
	45.68.404	Strut below 447 mm		1
	45.68.406	Strut below 570 mm		1
	45.68.407	Strut below 630 mm		1

\*Recommended spare part

## 71.68.999

### Print mechanism DPM IV 107-12, right

Pos	Ident-No.	Description1	Description2	Quantity
15	45.68.411	Strut above 140 mm		1
	45.68.412	Strut above 240 mm		1
	45.68.413	Strut above 340 mm		1
	45.68.414	Strut above 447 mm		1
	45.68.416	Strut above 570 mm		1
	45.68.417	Strut above 630 mm		1
16	45.68.421	Strut in front 140 mm		1
	45.68.422	Strut in front 240 mm		1
	45.68.423	Strut in front 340 mm		1
	45.68.424	Strut in front 447 mm		1
	45.68.426	Strut in front 570 mm		1
	45.68.427	Strut in front 630 mm		1
17	46.67.020	Guide shaft	DPM III 140 mm/DPM IV 140 mm	2
	46.67.023	Guide shaft	DPM III 240 mm/DPM IV 240 mm	2
	46.68.403	GUIDE SHAFT		2
	46.68.404	Guide shaft 447 mm	DPM IV 447	2
	46.68.406	GUIDE SHAFT		2
	46.68.407	GUIDE SHAFT		2
18	48.16.306V	Socket cap screw M3x6 stainless		3
19	48.16.516V	Socket cap screw M5x16 stainless		2
20	48.16.521V	Socket cap screw M5x20 stainless		6
21	48.19.306V	Socket cap screw M3x6 stainless		3
22	48.19.310V	Socket cap screw M3x10		2
23	48.19.510V	Socket cap screw M5x10 stainless		4
24	50.01.057V	Washer 3.2 stainless		3

\*Recommended spare part

## 71.68.999

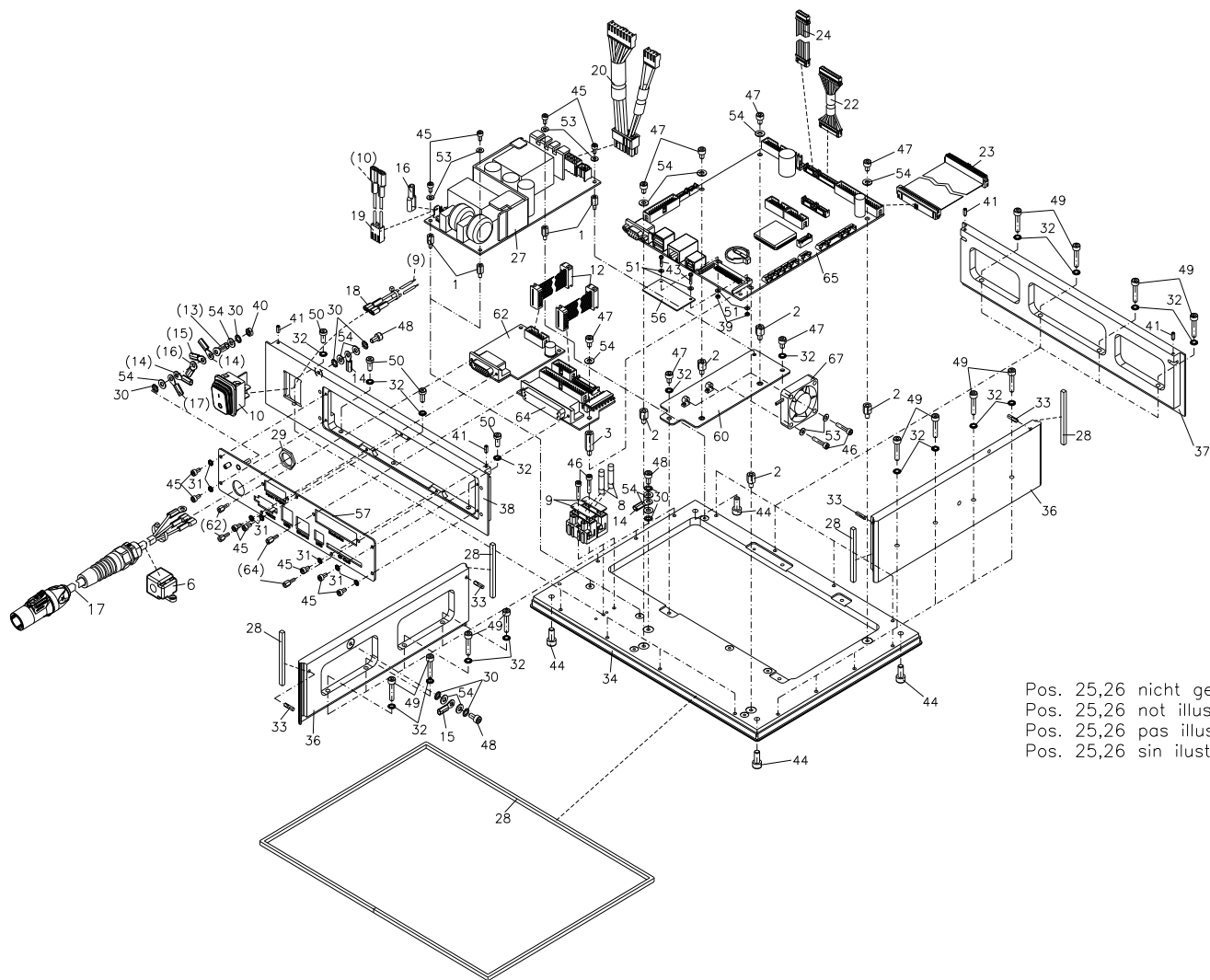
### Print mechanism DPM IV 107-12, right

Pos	Ident-No.	Description1	Description2	Quantity
25*	59.67.110	Toothed belt 140mm = 0,65m 240mm = 0,85m 340mm = 1,05m 447mm = 1,26m 570mm = 1,51m 630mm = 1,63m	DPM III/DPM IV, in meters	1,00m
26	67.68.078	CHAIN GUIDE		1
27	67.68.401	Cover above, 140 mm		1
	67.68.402	Cover above, 240 mm		1
	67.68.403	Cover above, 340 mm		1
	67.68.404	Cover above, 447 mm		1
	67.68.406	Cover above, 570 mm		1
	67.68.407	Cover above, 630 mm		1
28	67.68.411	Cover back side, 140 mm		1
	67.68.412	Cover back side, 240 mm		1
	67.68.413	Cover back side, 340 mm		1
	67.68.414	Cover back side, 447 mm		1
	67.68.416	Cover back side, 570 mm		1
	67.68.417	Cover back side, 630 mm		1
29	67.68.421	Cover bottom, 140 mm		1
	67.68.422	Cover bottom, 240 mm		1
	67.68.423	Cover bottom, 340 mm		1
	67.68.424	Cover bottom, 447 mm		1
	67.68.426	Cover bottom, 570 mm		1
	67.68.427	Cover bottom, 630 mm		1
30	71.68.090	Parts independent of length and width	DPM IV, right	1
31	71.68.290	Print carriage DPM IV 107-12, right		1

\*Recommended spare part

# 71.68.500

Control unit DPM IV panel enclosure  
CF slot, I/O 26-pin HD, IP prearrangement



Pos. 25,26 nicht gezeichnet!  
Pos. 25,26 not illustrated!  
Pos. 25,26 pas illustré!  
Pos. 25,26 sin ilustración!



## 71.68.500

Control unit DPM IV panel enclosure  
CF slot, I/O 26-pin HD, IP prearrangement

Pos	Ident-No.	Description1	Description2	Quantity
1	12.40.308	Distance bolt M3x8		6
2	12.40.408	Distance bolt M4x8		5
3	12.40.419	Distance bolt M4x18.6		1
4	12.68.500	Spacer pillar, short	DPM IV/SPE II	4
5	18.68.500	Cellular rubber cutting	DPM IV/SPE II	1
6	22.74.005	Ferrite ring foldable	ILX/Dynacode/SPE II	1
7	24.01.0011	PLUG		1
8*	24.02.009	Fine-wire fuse 4.0 A 5x20		2
9	24.03.005	Fuse holder with connector block		2
10	26.01.0281	POWER SWITCH		1
11	26.68.500	Foil keyboard	DPM IV Touch	1
12	28.29.010	Connecting cable I/O-CPU	Pica II/Flexicode/SPE II	2
13	28.30.081	Grounded conductor 2	Vario/DPM/SPE/Dynacode/Pica/Flexicode/SPE II	1
14	28.30.096	GROUNDED CONDUCTOR		2
15	28.30.0963	GROUNDED CONDUCTOR		1
16	28.30.0983	GROUNDED CONDUCTOR		1
17	28.68.504	Power cable	DPM IV/SPE II	1
18	28.68.507	POWER LINE		1
19	28.68.509	POWER LINE		1
20	28.68.515	Connecting cable voltage supply 48 V		1
21	28.68.535	Connecting cable control unit/CPU	DPM IV/ILX "SRD"/SPE II, right	1
22	28.68.537	Connecting cable	Motor signals CPU/distributor plate control unit	1
23	28.68.545	Connecting cable	Signals CPU/distributor plate-control unit	1
24	28.79.020	Connecting cable sensors CPU/distributor plate		1
25	35.01.002	Cable joint 100x2.5 mm		5
26	35.01.0025	CABLE JOINT		1

\*Recommended spare part

## 71.68.500

Control unit DPM IV panel enclosure  
CF slot, I/O 26-pin HD, IP prearrangement

Pos	Ident-No.	Description1	Description2	Quantity
27*	37.57.003	Power supply	Dynacode II/DPM IV/ALP/SPE II	1
28	37.57.015	Cellular rubber pre-cut part		2
29	37.57.927	Locknut PG 9		1
30	41.02.002V	Fan shaped washer M4 stainless		10
31	41.03.003V	Lock washer M3 stainless		13
32	41.03.004V	Lock washer M4 stainless		18
33	42.14.312V	COTTER-PIN 3x12 DIN 1474		4
34	45.68.500	BASE PLATE		1
35	45.68.505	Front panel	DPM IV/Dynacode/SPE II	1
36	45.68.510	SIDE PANEL		2
37	45.68.515	BACK PANEL		1
38	45.68.520	CONNECTING PLATE		1
39	47.01.001V	Hexagon nut M2 stainless		2
40	47.05.001V	Hexagon nut M4 stainless		1
41	48.09.308V	Setscrew M3x8 stainless		4
42	48.10.510V	Setscrew M5x10 stainless		4
43	48.14.110V	Pan screw M2x10 stainless		2
44	48.16.006V	Socket cap screw M5x12		4
45	48.16.306V	Socket cap screw M3x6 stainless		24
46	48.16.316V	Socket cap screw M3x16 stainless		4
47	48.16.406V	Socket cap screw M4x6 stainless		7
48	48.16.408V	Socket cap screw M4x8 stainless		4
49	48.16.420V	Socket cap screw M4x20 stainless		12
50	48.20.410V	INBUS A2 M4x10		4
51	50.01.009V	Lock washer M2 stainless		4
52	50.01.046V	Lock washer M4 stainless		1

\*Recommended spare part

## 71.68.500

Control unit DPM IV panel enclosure  
CF slot, I/O 26-pin HD, IP prearrangement

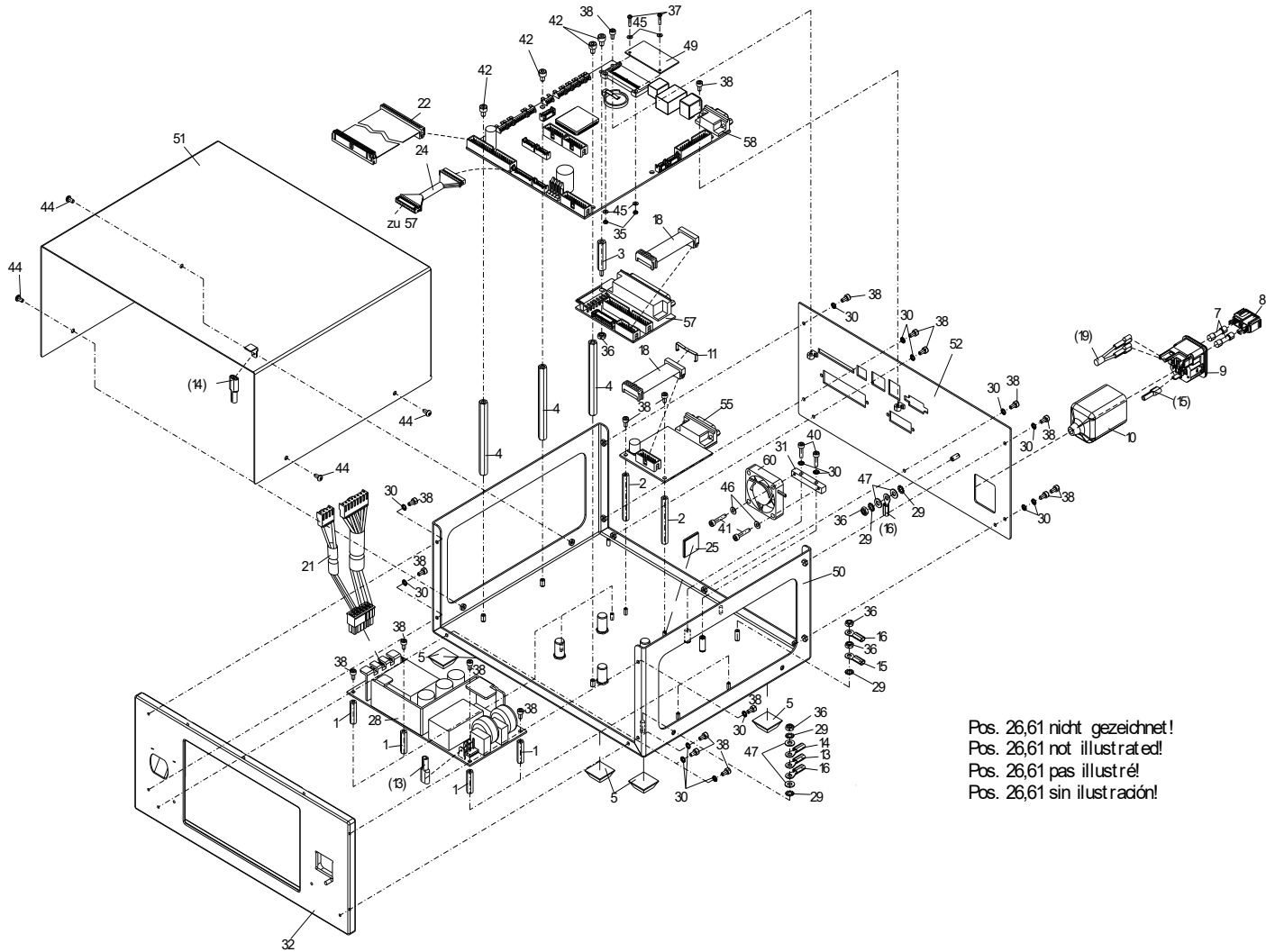
Pos	Ident-No.	Description1	Description2	Quantity
53	50.01.057V	Washer 3.2 stainless		12
54	50.01.065V	Lock washer 4.3 stainless		15
55	55.56.001	LICENCE LABEL HMI		1
56	67.57.062	CF card cover	Dynacode II/DPM IV/ILX 10X/SPE II	1
57	67.68.500	Connecting plate, narrow		1
58	67.68.510	DISPLAY LEDGE		1
59	67.68.515	DISPLAY LEDGE		1
60	67.68.520	INTERMEDIATE BOTTOM		1
61*	70.03.501	CPU HMI Touch Panel III cpl	Vario III/Dynacode II/LPM II/DPM IV/SPE II	1
62*	70.39.005	I/O plate cpl		1
63	70.39.605	ADAPTER BOARD		1
64	70.39.610	Distributor board, control unit	DPM IV	1
65*	70.68.010	CPU	DPM IV	1
66*	71.39.010	Graphic module 7" w/o touch, conversion kit	Dynacode/DPM IV/SPE II	1
67	71.57.007	Fan cpl	Dynacode II/DPM IV/SPE II	1

\*Recommended spare part

# 71.68.550

Control unit DPM IV desktop panel

CF slot, I/O 26-pin HD

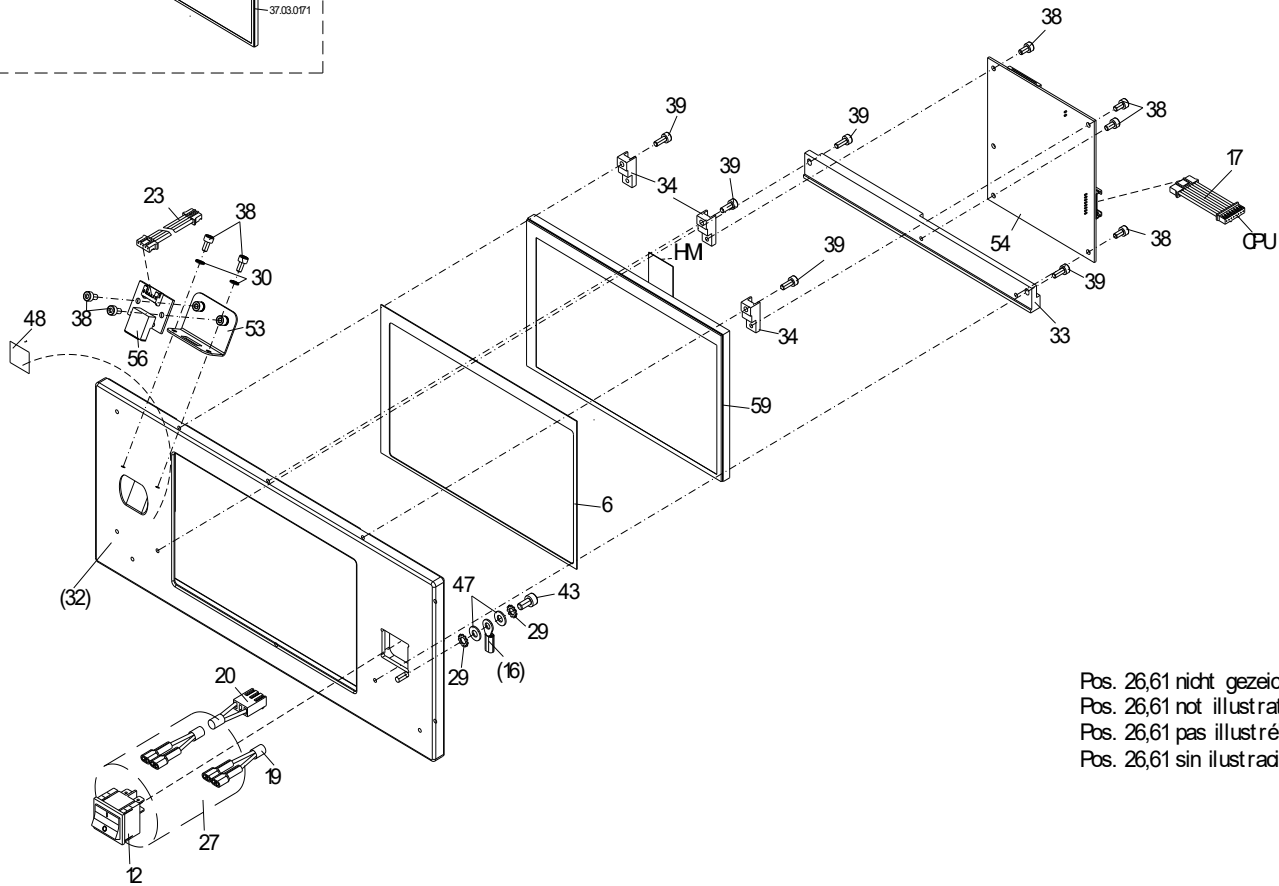
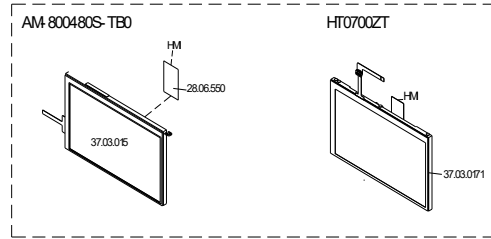


Pos. 26,61 nicht gezeichnet!  
Pos. 26,61 not illustrated!  
Pos. 26,61 pas illustré!  
Pos. 26,61 sin ilustración!

# 71.68.550

## Control unit DPM IV desktop panel

### CF slot, I/O 26-pin HD



## 71.68.550

Control unit DPM IV desktop panel

CF slot, I/O 26-pin HD

Pos	Ident-No.	Description1	Description2	Quantity
1	12.40.323	DISTANCE BOLT M3 x 22,5		4
2	12.40.3501	DISTANCE BOLT M3x50		2
3	12.40.430	DISTANCE BOLT M4 X 30		1
4	12.40.480	DISTANCE BOLT M4 X 80		3
5*	16.01.011	Elastic bumper self-adhesive 20.6x20.6x7.6 mm		4
6	18.68.500	Cellular rubber cutting	DPM IV/SPE II	1
7*	24.02.009	Fine-wire fuse 4.0 A 5x20		2
8	24.04.0015	Fuse compartment 2-pin, extra safe		1
9	24.04.005	Device plug with 2-pin fuse holder	w/o switch	1
10	24.04.006	Cover protection		1
11	25.14.098	Holding bow for socket plug 14 pin		1
12	26.01.031	POWER SWITCH		1
13	28.30.084	Grounded conductor 4	DPM II/DPM IV/SPE II	1
14	28.30.086	Grounded conductor 6	SPX/VITA/Flexicode/Dynacode/SPE II	1
15	28.30.089	Grounded conductor 1	Spectra/DPM/SPE/Dynacode/SPX/Vita/Flexicode	1
16	28.30.096	GROUNDED CONDUCTOR		2
17	28.48.035A	Connecting cable, control unit/CPU SH3	Vita II/Compa II/SPX II/Vario III/DC II/SPE II	1
18	28.48.040A	Connecting cable, WLAN-I/O CPU	Vita II/Compa II/ILX/SPE II	2
19	28.68.508	POWER LINE		1
20	28.68.510	POWER LINE		1
21	28.68.513	Connecting cable voltage supply 48 V		1
22	28.68.545	Connecting cable	Signals CPU/distributor plate-control unit	1
23	28.79.025	Connecting cable USB-CPU	Flexicode/Dynacode II/SPE II	1
24	28.83.054A	Connect cable CPU/power electronics/motor signal	SPX II/SPE II	1
25	35.01.001	Mounting base self-adhesive 19x19 mm		1
26	35.01.002	Cable joint 100x2.5 mm		10

\*Recommended spare part

## 71.68.550

Control unit DPM IV desktop panel

CF slot, I/O 26-pin HD

Pos	Ident-No.	Description1	Description2	Quantity
27	35.04.032	Tube 32 mm, black		0,04m
28*	37.57.003	Power supply	Dynacode II/DPM IV/ALP/SPE II	1
29	41.02.002V	Fan shaped washer M4 stainless		7
30	41.03.003V	Lock washer M3 stainless		17
31	45.57.094	Bracket for fan	Dynacode II/SPE II	1
32	45.68.550	Front panel		1
33	45.68.555	DISPLAY LEDGE		1
34	45.68.560	BRACKET FOR DISPLAY		3
35	47.01.001V	Hexagon nut M2 stainless		2
36	47.05.001V	Hexagon nut M4 stainless		5
37	48.14.110V	Pan screw M2x10 stainless		2
38	48.16.306V	Socket cap screw M3x6 stainless		29
39	48.16.308V	Socket cap screw M3x8 stainless		5
40	48.16.312V	Socket cap screw M3x12 stainless		2
41	48.16.316V	Socket cap screw M3x16 stainless		2
42	48.16.406V	Socket cap screw M4x6 stainless		4
43	48.16.408V	Socket cap screw M4x8 stainless		1
44	48.24.306V	Pan screw M3x6 stainless		4
45	50.01.009V	Lock washer M2 stainless		4
46	50.01.057V	Washer 3.2 stainless		2
47	50.01.065V	Lock washer 4.3 stainless		6
48	55.56.001	LICENCE LABEL HMI		1
49	67.57.062	CF card cover	Dynacode II/DPM IV/ILX 10X/SPE II	1
50	67.68.550	BOTTOM TURRET		1
51	67.68.555	Cover		1
52	67.68.560	BACK PANEL		1

\*Recommended spare part

## 71.68.550

Control unit DPM IV desktop panel

CF slot, I/O 26-pin HD

Pos	Ident-No.	Description1	Description2	Quantity
53	67.68.565	ANGLE FOR USB		1
54*	70.03.501	CPU HMI Touch Panel III cpl	Vario III/Dynacode II/LPM II/DPM IV/SPE II	1
55*	70.39.005	I/O plate cpl		1
56	70.39.060	Adapter plate USB type A cpl, horizontal	SPX II/SPE II	1
57	70.39.610	Distributor board, control unit	DPM IV	1
58*	70.68.010	CPU	DPM IV	1
59*	71.39.012	Graphic module 7" with touch	Dynacode/DPM IV/SPE II/Vario III	1
60	71.57.007	Fan cpl	Dynacode II/DPM IV/SPE II	1

\*Recommended spare part

Modifications and errors excepted

DPM IV: 11.2025

79 / 94

## 72.68.990

Connecting parts pneumatic/electronics

DPM IV

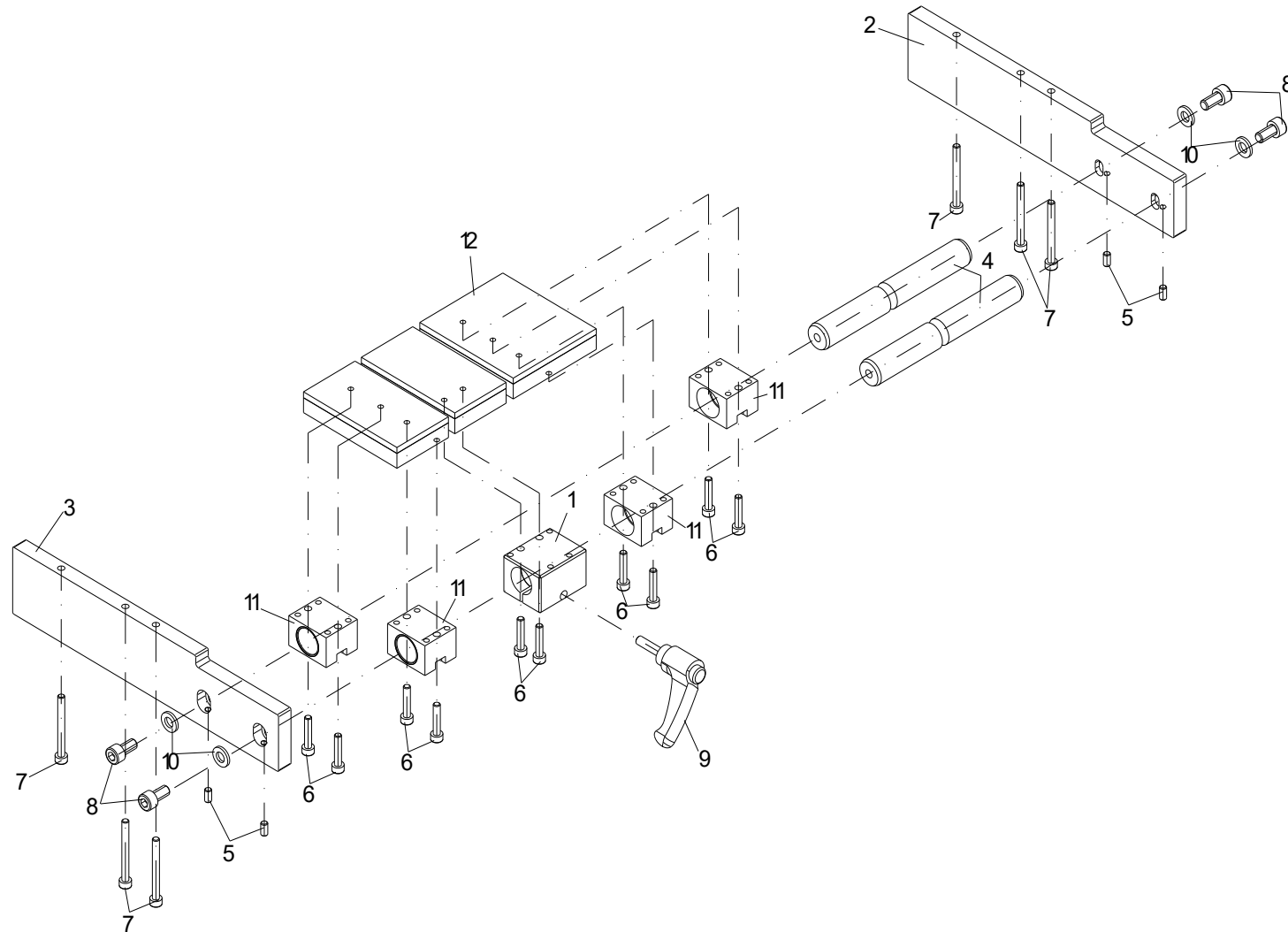
Pos	Ident-No.	Description1	Description2	Quantity
1	28.68.005	Connecting cable print mechanism/control unit	78-pin 2.5 m	1
2	28.68.500	Power cable 2 m	DPM IV	1
3	28.68.502	Power cable 2 m	DPM IV	1
4	37.67.015	Miniature controller	DPM III/DPM IV/Dynacode/Flexicode	1
5	37.67.020	Manometer	DPM III/DPM IV/Dynacode/Flexicode	1
6*	37.67.026	Pneumatic tube 8 mm	DPM III/Dynacode/Flexicode, in meters	1,00m
7	37.67.035	Screw joint connector 8 mm	DPM III/DPM IV/Dynacode/Flexicode/APL/APX	2

\*Recommended spare part

# 72.68.996

Counter-pressure plate cpl

DPM IV 53



## 72.68.996

### Counter-pressure plate cpl

#### DPM IV 53

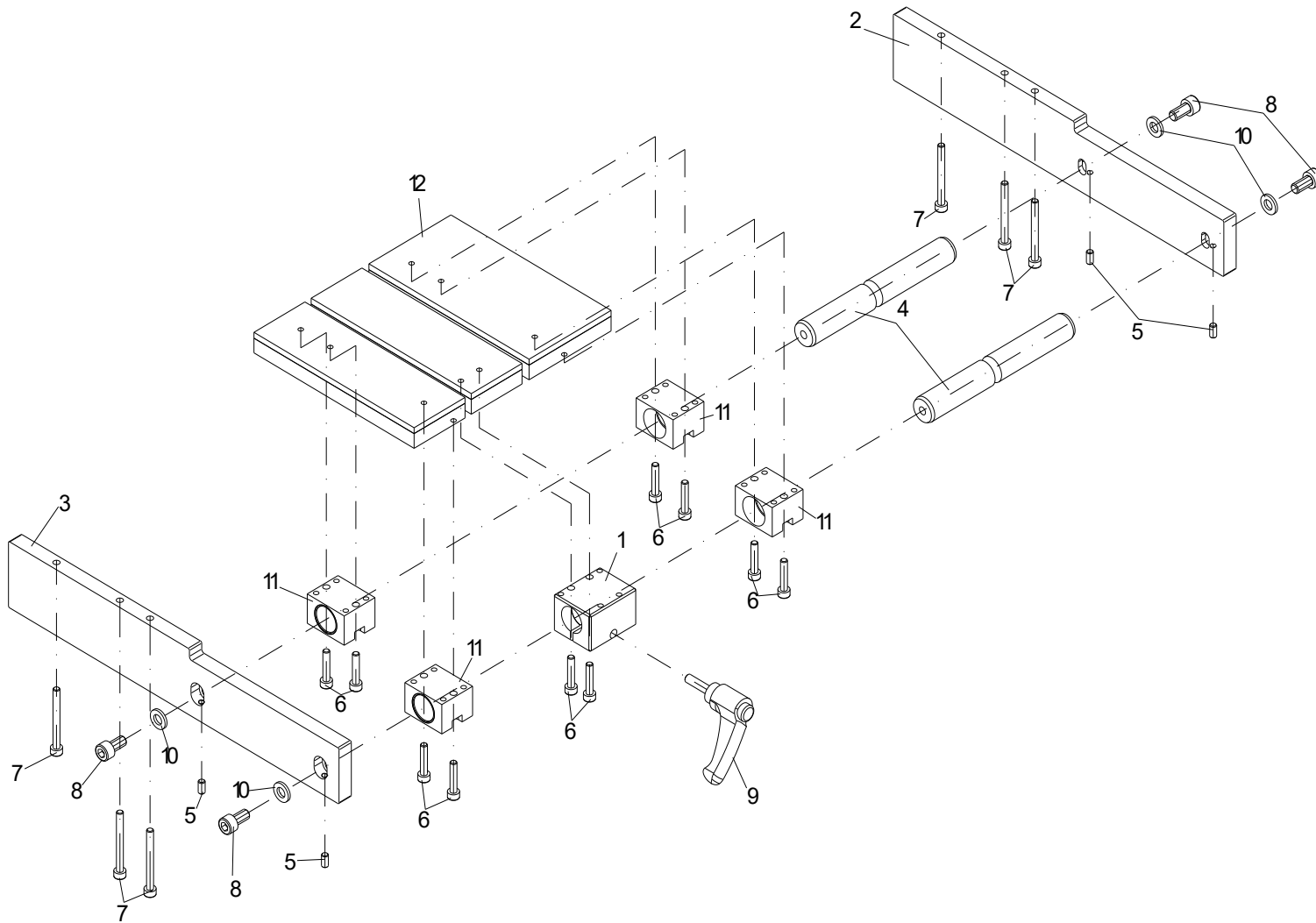
Pos	Ident-No.	Description1	Description2	Quantity
1	45.67.301	Clamping piece for counter-pressure plate	DPM III/DPM IV/Dynacode	1
2	45.68.190	Carrier for counter-pressure plate		1
3	45.68.192	Carrier for counter-pressure plate		1
4	46.67.020	Guide shaft	DPM III 140 mm/DPM IV 140 mm	2
	46.67.021	Guide shaft	DPM III 447 mm	2
	46.67.022	Guide shaft	DPM III 340 mm	2
	46.67.023	Guide shaft	DPM III 240 mm/DPM IV 240 mm	2
	46.67.025	Guide shaft	DPM III 570 mm	2
	46.67.026	Guide shaft	DPM III 630 mm	2
5	48.10.408V	Setscrew M4x8 stainless		4
6	48.16.420V	Socket cap screw M4x20 stainless		10
7	48.16.440V	Socket cap screw M4x40 stainless		6
8	48.16.612V	Socket cap screw M6x12 stainless		4
9	48.17.020	Clamping lever		1
10	50.01.066V	Lock washer 6.4 stainless		4
11	72.67.100	Bearing block cpl for counter-pressure plate	DPM III/DPM IV/Dynacode	4
12	72.67.355	Counter-pressure plate cpl 53x140 mm	DPM, coated and polished	1
	72.67.360	Counter-pressure plate cpl 53x240 mm	DPM, coated and polished	1
	72.67.365	Counter-pressure plate cpl 53x340 mm	DPM, coated and polished	1
	72.67.370	Counter-pressure plate cpl 53x447 mm	DPM, coated and polished	1
	72.67.380	Counter-pressure plate cpl 53x570 mm	DPM, coated and polished	1
	72.67.385	Counter-pressure plate cpl 53x630 mm	DPM III/DPM IV, coated and polished	1

\*Recommended spare part

# 72.68.997

Counter-pressure plate cpl

DPM IV 107



## 72.68.997

### Counter-pressure plate cpl

#### DPM IV 107

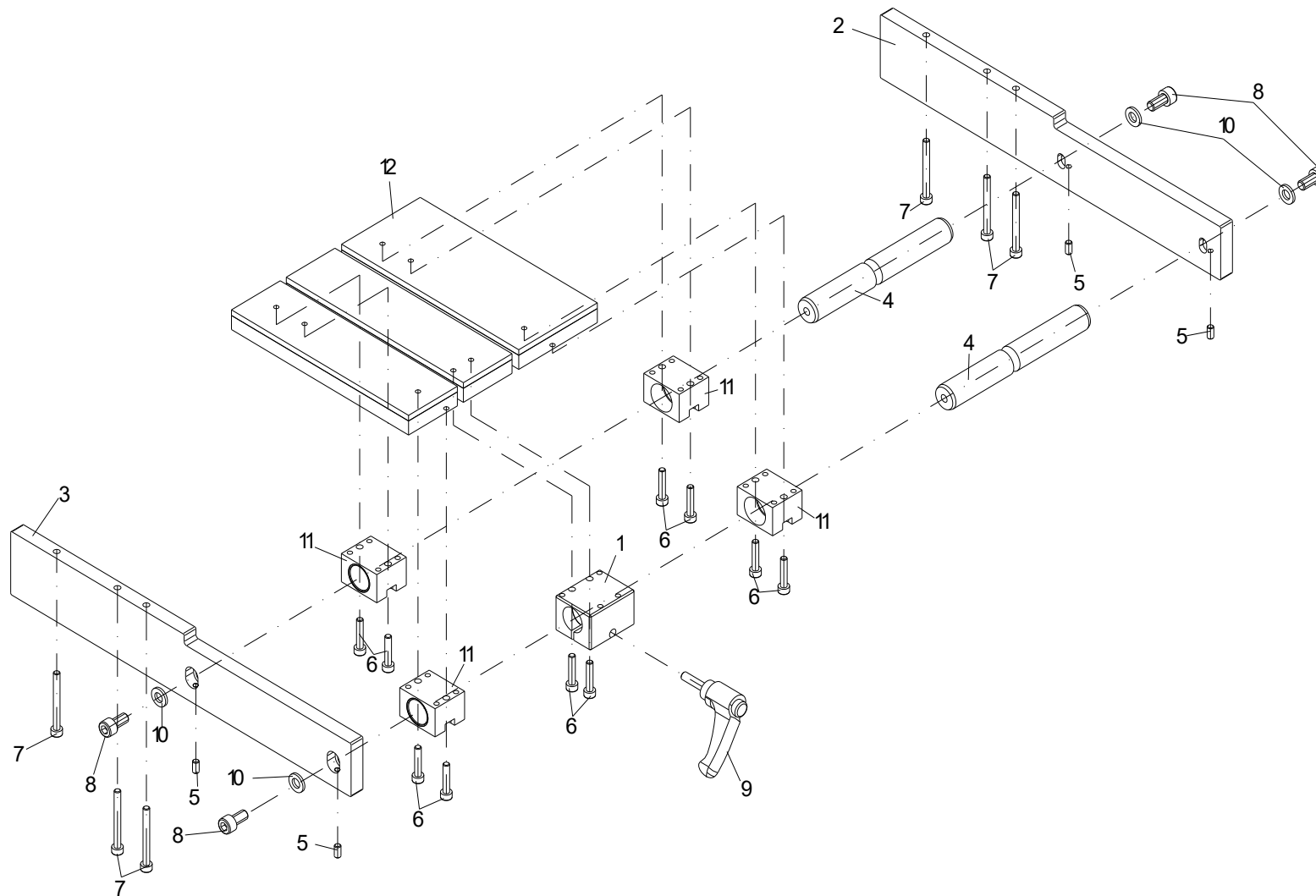
Pos	Ident-No.	Description1	Description2	Quantity
1	45.67.301	Clamping piece for counter-pressure plate	DPM III/DPM IV/Dynacode	1
2	45.68.290	Carrier for counter-pressure plate	DPM IV 107, right	1
3	45.68.292	Carrier for counter-pressure plate		1
4	46.67.020	Guide shaft	DPM III 140 mm/DPM IV 140 mm	2
	46.67.021	Guide shaft	DPM III 447 mm	2
	46.67.022	Guide shaft	DPM III 340 mm	2
	46.67.023	Guide shaft	DPM III 240 mm/DPM IV 240 mm	2
	46.67.025	Guide shaft	DPM III 570 mm	2
	46.67.026	Guide shaft	DPM III 630 mm	2
5	48.10.408V	Setscrew M4x8 stainless		4
6	48.16.420V	Socket cap screw M4x20 stainless		10
7	48.16.440V	Socket cap screw M4x40 stainless		6
8	48.16.612V	Socket cap screw M6x12 stainless		4
9	48.17.020	Clamping lever		1
10	50.01.066V	Lock washer 6.4 stainless		4
11	72.67.100	Bearing block cpl for counter-pressure plate	DPM III/DPM IV/Dynacode	4
12	72.67.305	Counter-pressure plate cpl 107x140 mm	DPM/Dynacode	1
	72.67.310	Counter-pressure plate cpl 107x240 mm	DPM, coated and polished	1
	72.67.315	Counter-pressure plate cpl 107x340 mm	DPM III/DPM IV, coated and polished	1
	72.67.320	Counter-pressure plate cpl 107x447 mm	DPM, coated and polished	1
	72.67.330	Counter-pressure plate cpl 107x570 mm	DPM, coated and polished	1
	72.67.335	Counter-pressure plate cpl 107x630 mm	DPM, coated and polished	1

\*Recommended spare part

# 72.68.998

Counter-pressure plate cpl

DPM IV 128



## 72.68.998

### Counter-pressure plate cpl

#### DPM IV 128

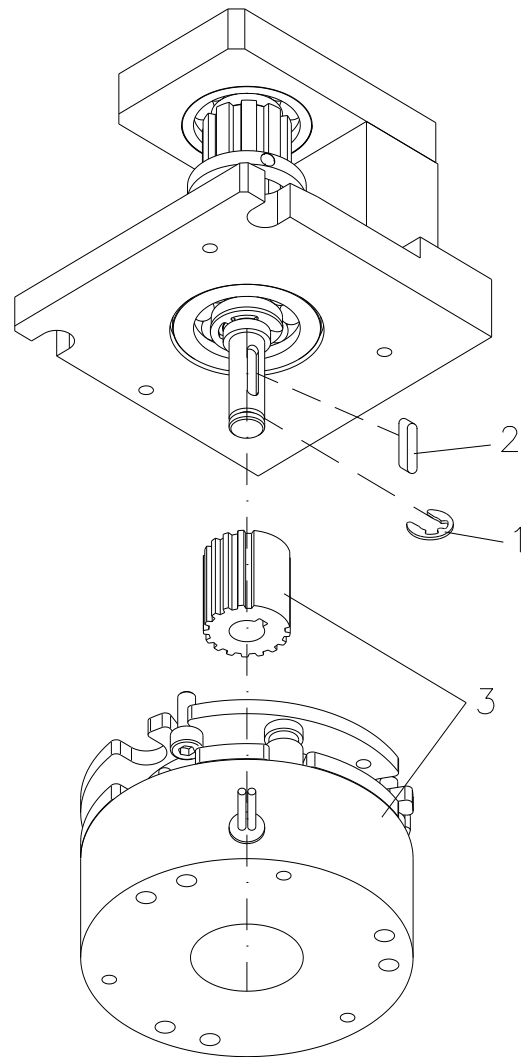
Pos	Ident-No.	Description1	Description2	Quantity
1	45.67.301	Clamping piece for counter-pressure plate	DPM III/DPM IV/Dynacode	1
2	45.68.390	Carrier for counter-pressure plate	DPM IV 128, right	1
3	45.68.392	Carrier for counter-pressure plate	DPM IV 128, left	1
4	46.67.020	Guide shaft	DPM III 140 mm/DPM IV 140 mm	2
	46.67.021	Guide shaft	DPM III 447 mm	2
	46.67.022	Guide shaft	DPM III 340 mm	2
	46.67.023	Guide shaft	DPM III 240 mm/DPM IV 240 mm	2
	46.67.025	Guide shaft	DPM III 570 mm	2
	46.67.026	Guide shaft	DPM III 630 mm	2
5	48.10.408V	Setscrew M4x8 stainless		4
6	48.16.420V	Socket cap screw M4x20 stainless		10
7	48.16.440V	Socket cap screw M4x40 stainless		6
8	48.16.612V	Socket cap screw M6x12 stainless		4
9	48.17.020	Clamping lever		1
10	50.01.066V	Lock washer 6.4 stainless		4
11	72.67.100	Bearing block cpl for counter-pressure plate	DPM III/DPM IV/Dynacode	4
12	72.67.391	Counter-pressure plate cpl 128x140 mm	DPM III/DPM IV, coated and polished	1
	72.67.392	Counter-pressure plate cpl 128x240 mm	DPM III/DPM IV, coated and polished	1
	72.67.393	Counter-pressure plate cpl 128x340 mm	DPM, coated and polished	1
	72.67.394	Counter-pressure plate cpl 128x447mm	DPM, coated and polished	1
	72.67.396	Counter-pressure plate cpl 128x570 mm	DPM, coated and polished	1
	72.67.397	Counter-pressure plate cpl 128x630 mm	DPM III/DPM IV, coated and polished	1

\*Recommended spare part

**90.68.900**

**Brake cpl**

**DPM IV, option**



## 90.68.900

Brake cpl

DPM IV, option

Pos	Ident-No.	Description1	Description2	Quantity
1	40.01.004V	Shaft protection 4 mm stainless		1
2	43.07.020	Spring 2 x 10 mm		1
3	71.68.050	Brake cpl	DPM IV	1

\*Recommended spare part

Modifications and errors excepted

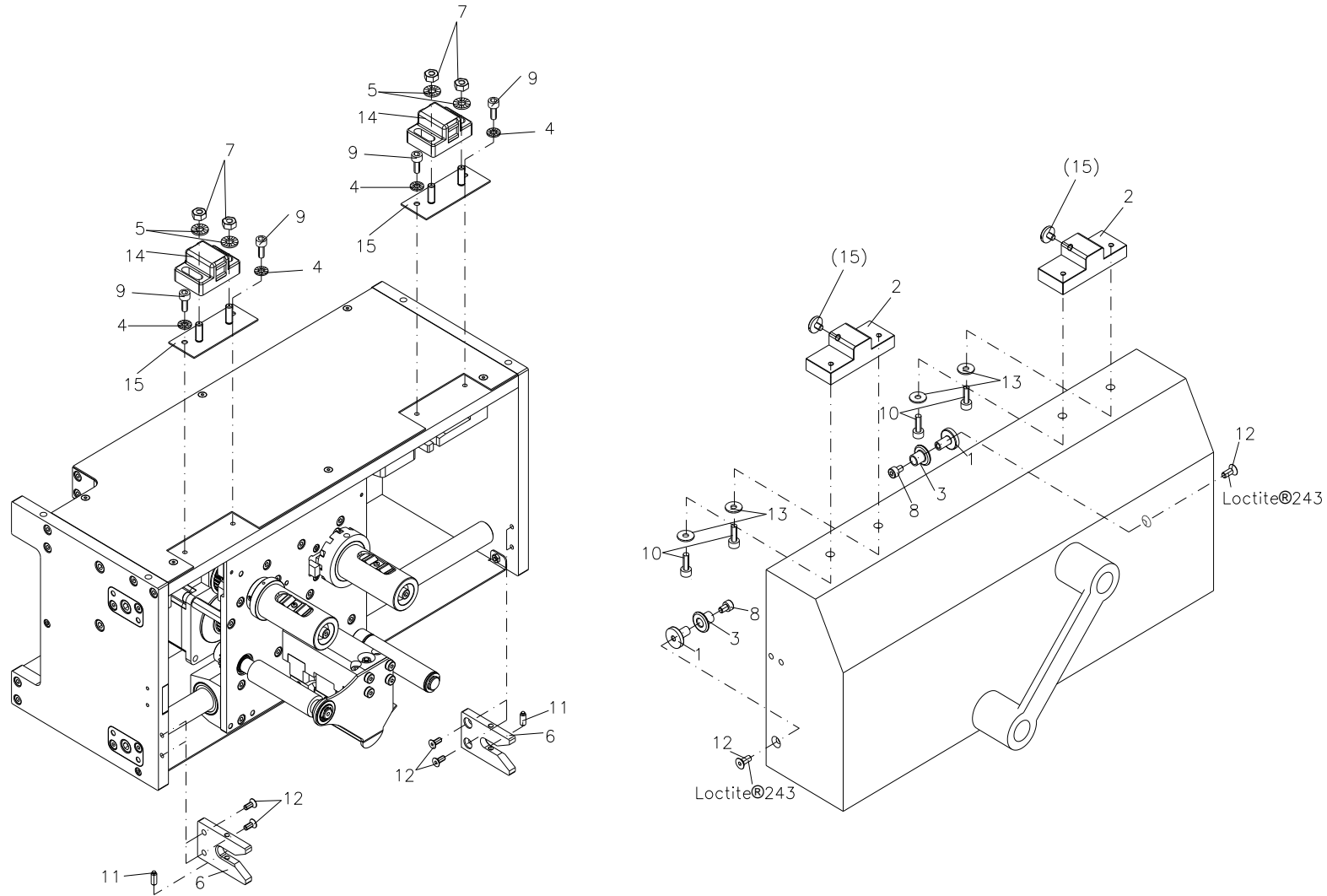
DPM IV: 11.2025

88 / 94

# 90.68.905

Cover, pluggable "conversion kit"

DPM IV, does not include the protective cover



## 90.68.905

Cover, pluggable "conversion kit"

DPM IV, does not include the protective cover

Pos	Ident-No.	Description1	Description2	Quantity
1	12.68.010	Bearing pillar	DPM IV	2
2	16.67.003	Counterpart of magnet	DPM III xi	2
3	16.68.010	GROOVED PULLEY		2
4	41.03.004V	Lock washer M4 stainless		4
5	41.03.005V	Lock washer M5 stainless		4
6	45.68.064	Guiding ledge	DPM IV	2
7	47.05.002V	Hexagon nut M5 stainless		4
8	48.16.406V	Socket cap screw M4x6 stainless		2
9	48.16.410V	Socket cap screw M4x10 stainless		4
10	48.16.412V	Socket cap screw M4x12 stainless		4
11	48.18.003	Spring pressure piece		2
12	48.19.410V	Socket cap screw M4x10 stainless		6
13	50.01.046V	Lock washer M4 stainless		4
14	57.05.040	MAGNETIC LOCK		2
15	67.67.065	Plate for magne	DPM III xi	2

\*Recommended spare part

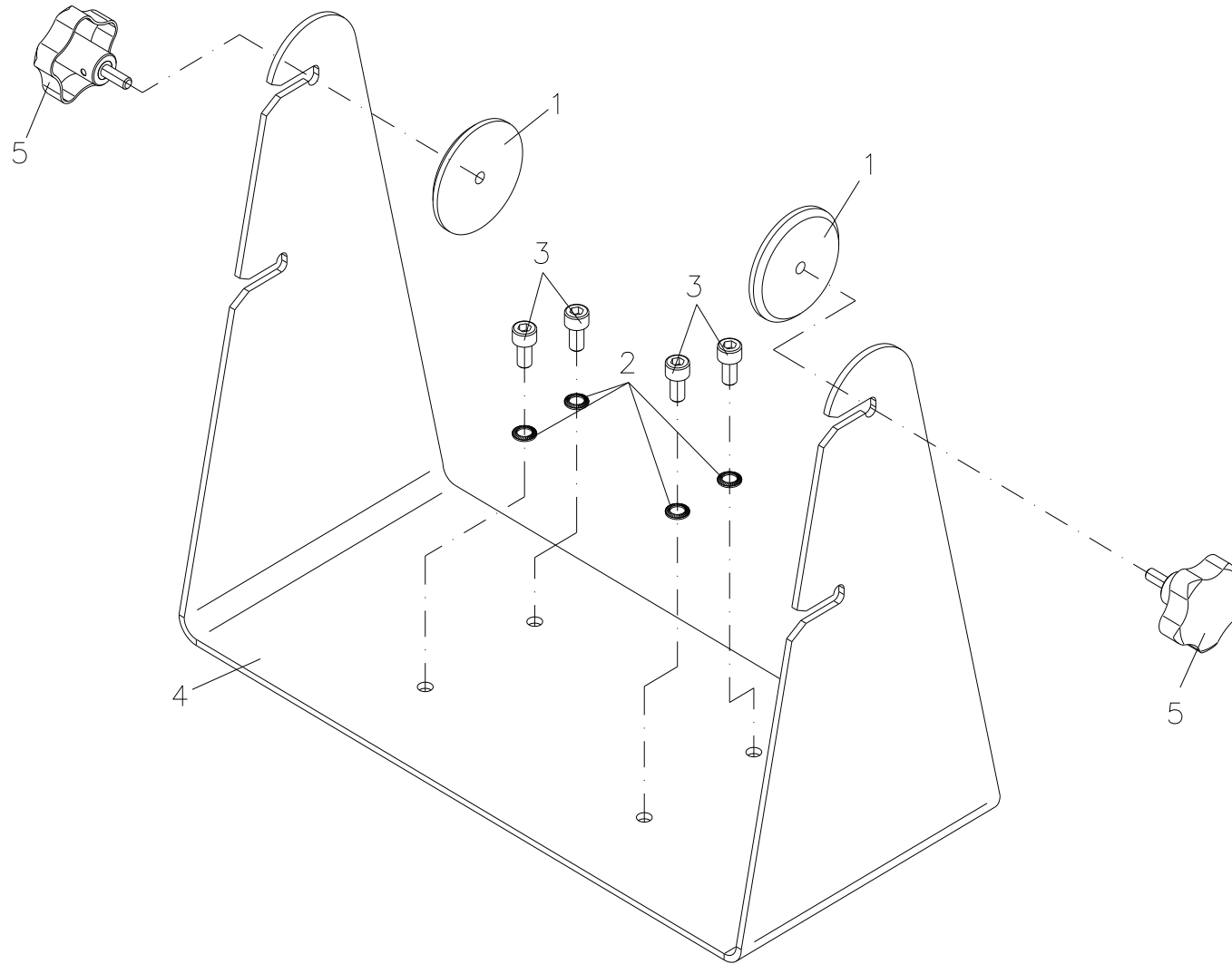
Modifications and errors excepted

DPM IV: 11.2025

90 / 94

# 90.68.910

Bracket for control unit cpl  
DPM IV/Dynacode, option panel enclosure



## 90.68.910

Bracket for control unit cpl

DPM IV/Dynacode, option panel enclosure

Pos	Ident-No.	Description1	Description2	Quantity
1	16.68.590	Washer	DPM IV	2
2	41.03.006V	Lock washer M6 stainless		4
3	48.16.612V	Socket cap screw M6x12 stainless		4
4	67.68.590	Angular stay, control unit		1
5	72.68.590	Star handle cpl	DPM IV	2

\*Recommended spare part

Modifications and errors excepted

DPM IV: 11.2025

92 / 94



## 90.68.915

Protective cover cpl for panel enclosure IP65

DPM IV, option

Pos	Ident-No.	Description1	Description2	Quantity
1	16.68.515	Protective cover IP65	DPM IV control unit	1
2	18.01.504	SCREW SEAL M4		4
3	18.01.505	SCREW SEAL M5		4
4	25.05.020	Connector USB-A IP65 panel mounting	with protection cap	1
5	35.09.010	CABLE GUIDING LEDGE		1
6	35.09.104	CABLE SLEEVE		1
7	35.09.105	CABLE SLEEVE		1
8	35.09.106	CABLE SLEEVE		2
9	35.09.108	CABLE SLEEVE		1
10	35.09.113	CABLE SLEEVE		1
11	35.09.204	PLUG FOR CABLE SLEEVE		1
12	35.09.205	PLUG FOR CABLE SLEEVE		1
13	35.09.206	PLUG FOR CABLE SLEEVE		1
14	35.09.208	PLUG FOR CABLE SLEEVE		1
15	37.57.015	Cellular rubber pre-cut part		1
16	48.16.420V	Socket cap screw M4x20 stainless		4
17	48.16.518V	Socket cap screw M5x18 stainless		4
18	89.02.0024	DATA CABLE USB 0,22m		1

\*Recommended spare part