

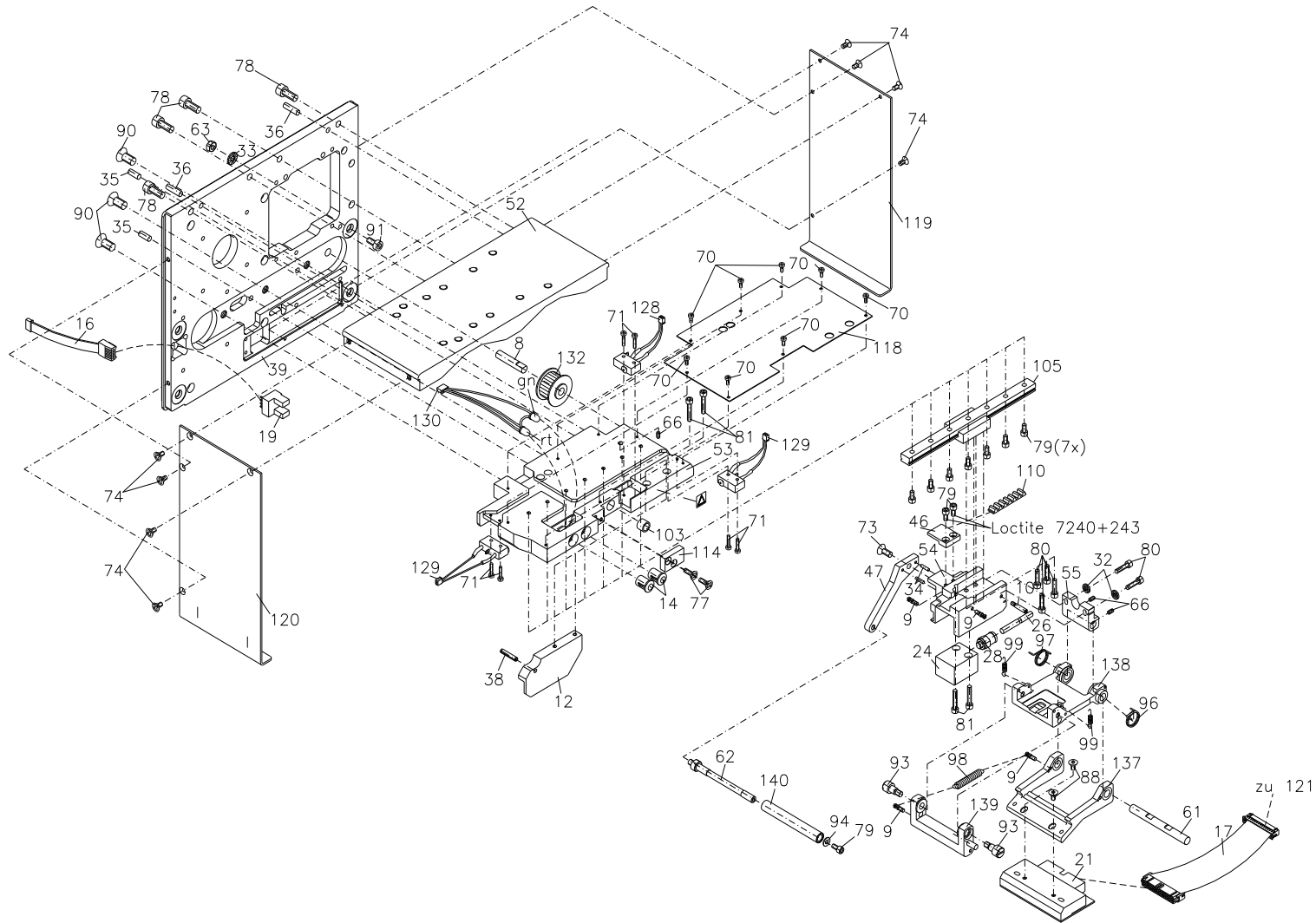
Dynacode II

Spare parts list
Parts list



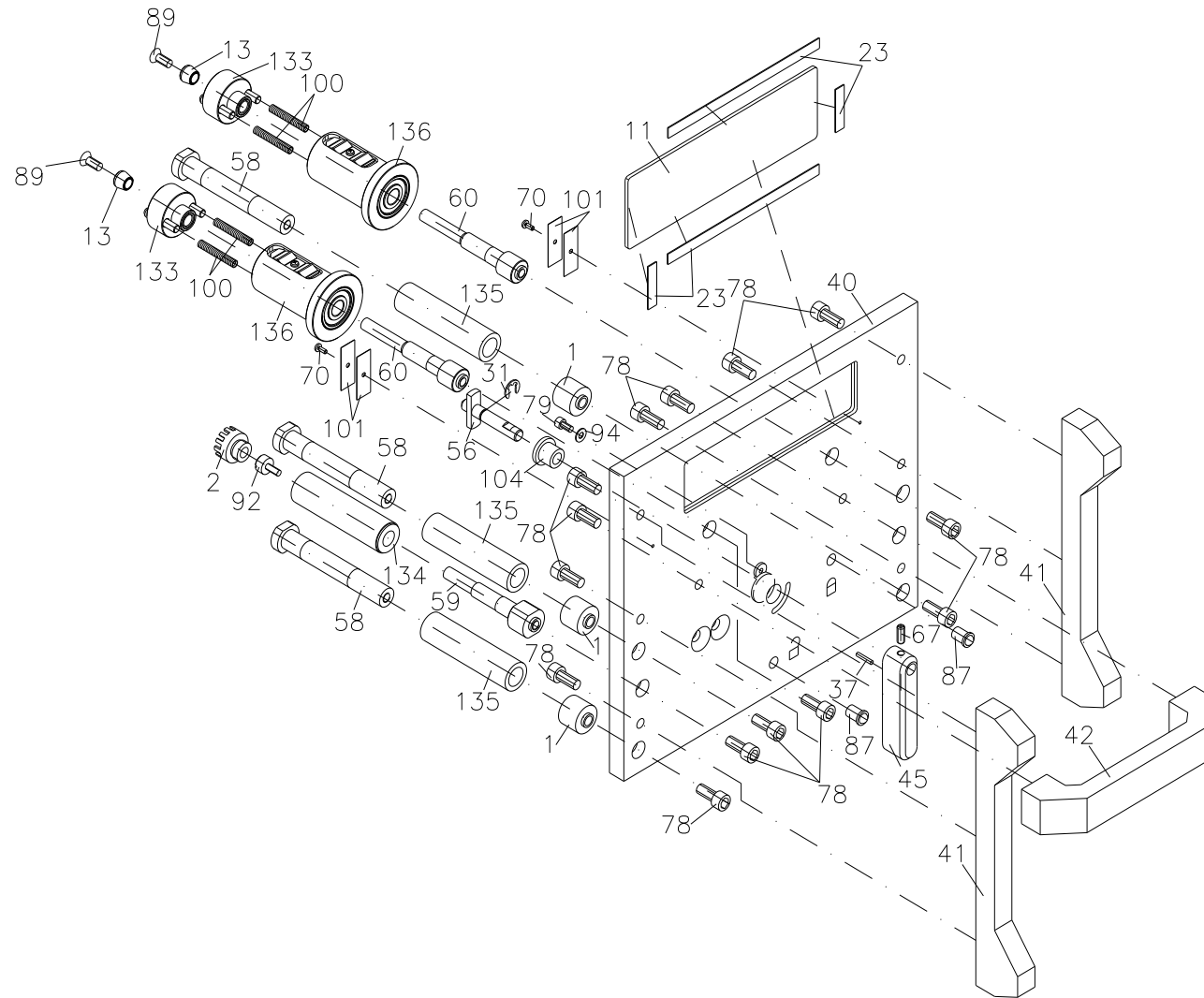
71.57.600

Print mechanism Dynacode 53-12, right



71.57.600

Print mechanism Dynacode 53-12, right



71.57.600

Print mechanism Dynacode 53-12, right

Pos	Ident-No.	Description1	Description2	Quantity
1	10.57.001	Bushing for centering bearing	Dynacode	3
2*	10.57.005	Spocket wheel	Dynacode	1
3	10.57.010	Clamping piece	Dynacode	1
4	10.57.017	Bushing for motor, large	Dynacode	1
5	10.57.023	Bushing for coupling	Dynacode	1
6	10.57.030	Bush bearing	Dynacode	1
7	12.40.480	DISTANCE BOLT M4 X 80		2
8	12.57.001	PIN		1
9	12.57.015	Spring pillar	Dynacode/Flexicode	4
10	12.57.020	Switching pin	Dynacode	1
11	16.57.001	Window	Dynacode	1
12	16.57.015	Limit stop	Dynacode, right	1
13*	18.57.025	Brake conus	Dynacode	2
14	27.03.010	LED holder 5 mm		2
15	28.57.024	Connecting cable pressure switch/motor plate	Dynacode	1
16	28.57.026	Connecting cable encoder/motor plate, right	Dynacode	1
17*	28.57.031	Printhead adapter	Dynacode	1
18	28.57.041	Connecting cable Dual-Reflection encoder	right, Dynacode	1
19	31.03.035	Photocell		1
20	31.57.005	Cooling element	Dynacode	1
21*	37.04.0535	Thermal printhead 53-12	Dynacode/Dynacode II/Flexicode	1
22	37.57.005	Silicon foil self-adhesive	in meters	0,01m
23	37.57.400	Adhesive tape 6 mm		0,01
24*	37.67.001	Short-stroke cylinder	DPM III/Dynacode/Flexicode/DPM IV	1
25*	37.67.002	Switch	DPM III/Dynacode/Flexicode	1
26*	37.67.025	Pneumatic tube 4 mm	DPM III/Dynacode/APX, in meters	0,38m

*Recommended spare part

71.57.600

Print mechanism Dynacode 53-12, right

Pos	Ident-No.	Description1	Description2	Quantity
27*	37.67.026	Pneumatic tube 8 mm	DPM III/Dynacode/Flexicode, in meters	0,04m
28	37.67.030	Screw joint connector 4 mm/M5	Dynacode/Flexicode/APX	1
29	37.67.060	Screw joint connector inner thread 8 mm	DPM III/Dynacode	1
30*	37.67.075	Seal ring	DPM III/Dynacode/Flexicode	2
31	40.01.005V	Shaft protection 5 mm stainless		1
32	41.03.003V	Lock washer M3 stainless		9
33	41.03.004V	Lock washer M4 stainless		25
34	42.13.208V	Grooved pin 2 x 8 mm		2
35	42.13.410V	TAPER PIN 4x10 S2 DIN 1472		2
36	42.13.414V	Grooved pin 4 x 14 mm		4
37	42.14.210V	Pin 2 x 10 mm		1
38	43.06.316	Pin 3 x 16 mm		1
39	45.57.001	Carrier plate	Dynacode 53, right	1
40	45.57.010	Cassette plate	Dynacode	1
41	45.57.030	Strut	Dynacode	2
42	45.57.035	Handle	Dynacode	1
43	45.57.041	Carrier plate for coupling	Dynacode	1
44	45.57.042	Bearing for clutch	Dynacode	2
45	45.57.057	Closing lever	Dynacode	1
46	45.57.060	Clamping piece	Dynacode	1
47	45.57.065	Guiding plate	Dynacode, right	1
48	45.57.075	Hose clamp	Dynacode	1
49	45.57.080	Cover		1
50	45.57.085	BRACKET		1
51	45.57.090	Bracket for cover	Dynacode	1
52	45.57.105	Cover plate	Dynacode 53	1

*Recommended spare part

71.57.600

Print mechanism Dynacode 53-12, right

Pos	Ident-No.	Description1	Description2	Quantity
53	45.57.110	Sole plate	Dynacode 53, right	1
54	45.57.120	Guiding carriage	Dynacode 53, right	1
55	45.57.145	Adjusting device	Dynacode 53	1
56	46.57.001	Cross bar	Dynacode	1
57	46.57.100	Centering ledge	Dynacode 53/Flexicode /ILX	3
58	46.57.105	Centering bearing	Dynacode 53	3
59	46.57.115	Bearing pillar	Dynacode 53	1
60	46.57.120	Ribbon rewinding/unwinding pillar	Dynacode 53	2
61	46.57.130	Printhead shaft	Dynacode 53	1
62	46.57.140	Pillar	Dynacode 53	1
63	47.05.001V	Hexagon nut M4 stainless		3
64	47.57.001	Nut M2	Dynacode	4
65	48.10.004V	Setscrew M3x4 stainless		2
66	48.10.005V	Setscrew M4x4 stainless		3
67	48.10.406V	Setscrew M4x6 stainless		1
68	48.10.408V	Setscrew M4x8 stainless		4
69	48.10.505V	Setscrew M5x5 stainless		4
70	48.14.105V	Pan screw M2x5 stainless		14
71	48.14.110V	Pan screw M2x10 stainless		6
72	48.14.306V	Pan screw M3x6 stainless		3
73	48.15.002V	Pan screw M4x10 stainless		1
74	48.15.003V	Countersunk screw M3x6 stainless		11
75	48.15.210V	Pan screw M2.5x10 stainless		1
76	48.15.304V	Countersunk screw M3x4 stainless		2
77	48.15.308V	Countersunk screw M3x8 stainless		4
78	48.16.006V	Socket cap screw M5x12		21

*Recommended spare part

71.57.600

Print mechanism Dynacode 53-12, right

Pos	Ident-No.	Description1	Description2	Quantity
79	48.16.306V	Socket cap screw M3x6 stainless		13
80	48.16.312V	Socket cap screw M3x12 stainless		13
81	48.16.316V	Socket cap screw M3x16 stainless		4
82	48.16.410V	Socket cap screw M4x10 stainless		16
83	48.16.412V	Socket cap screw M4x12 stainless		13
84	48.16.416V	Socket cap screw M4x16 stainless		4
85	48.16.430V	Socket cap screw M4x30 stainless		1
86	48.16.460V	Socket cap screw M4x60 stainless		4
87	48.18.010	Spring pressure piece		2
88	48.19.306V	Socket cap screw M3x6 stainless		2
89	48.19.410V	Socket cap screw M4x10 stainless		2
90	48.19.612V	Socket cap screw M6x12 stainless		3
91	48.20.408V	Socket cap screw M4x8 stainless		5
92	48.57.001	Screw	Dynacode	1
93	48.57.005	Screw	Dynacode/LPM II	2
94	50.01.057V	Washer 3.2 stainless		2
95	50.01.065V	Lock washer 4.3 stainless		7
96*	52.57.002	Spring, right	Dynacode	1
97*	52.57.006	Spring, left	Dynacode	1
98*	52.57.017	Tension spring	Dynacode	1
99*	52.57.020	Tension spring	Dynacode/Flexicode	2
100	52.57.025	Compression spring	Dynacode	4
101	52.57.110	Spring sheet	Dynacode 107/Dynacode 128	4
102*	57.01.008	Grooved ball bearing		1
103	57.02.001	Bearing bush 06x08x06		1
104	57.02.210	Sintered bronze flanged bushing		1

*Recommended spare part

71.57.600

Print mechanism Dynacode 53-12, right

Pos	Ident-No.	Description1	Description2	Quantity
105*	57.57.073	Slide mounting	Dynacode 53	1
106	59.57.005	Toothed belt wheel	Dynacode/Flexicode	1
107	59.57.015	Toothed belt wheel	Dynacode	1
108	59.57.020	Toothed belt wheel	Dynacode	1
109*	59.57.218	Toothed belt	Dynacode	1
110*	59.57.339	Toothed belt	Dynacode	1
111	67.57.005	Cover, behind	Dynacode	1
112	67.57.015	Connecting plate	Dynacode	1
113	67.57.030	INTERMEDIATE PLATE		1
114*	67.57.035	Keeper	Dynacode	1
115	67.57.045	Supporting plate	Dynacode	1
116	67.57.050	Sole plate for clutch	Dynacode	1
117	67.57.060	Washer	Dynacode	1
118	67.57.100	Cover plate	Dynacode 53, right	1
119	67.57.110	Cover on the side, right	Dynacode 53	1
120	67.57.115	Cover on the side, left	Dynacode 53	1
121*	70.57.015	Motor board	Dynacode	1
122	70.57.022	Circuit board	Dynacode	1
123	71.57.010	Clutch cpl	Dynacode	1
124	71.57.011	Serial stepper motor cpl	Dynacode	1
125	71.57.012	Parallel stepper motor cpl	Dynacode	1
126	71.57.013	Stepper motor ribbon rewinder	Dynacode	1
127*	71.57.020	Valve cpl	Dynacode	1
128*	71.57.022	Cassette switch cpl	Dynacode 53	1
129*	71.57.023	Final position switch cpl	Dynacode	2
130	71.57.025	LED cpl	Dynacode	1

*Recommended spare part

71.57.600

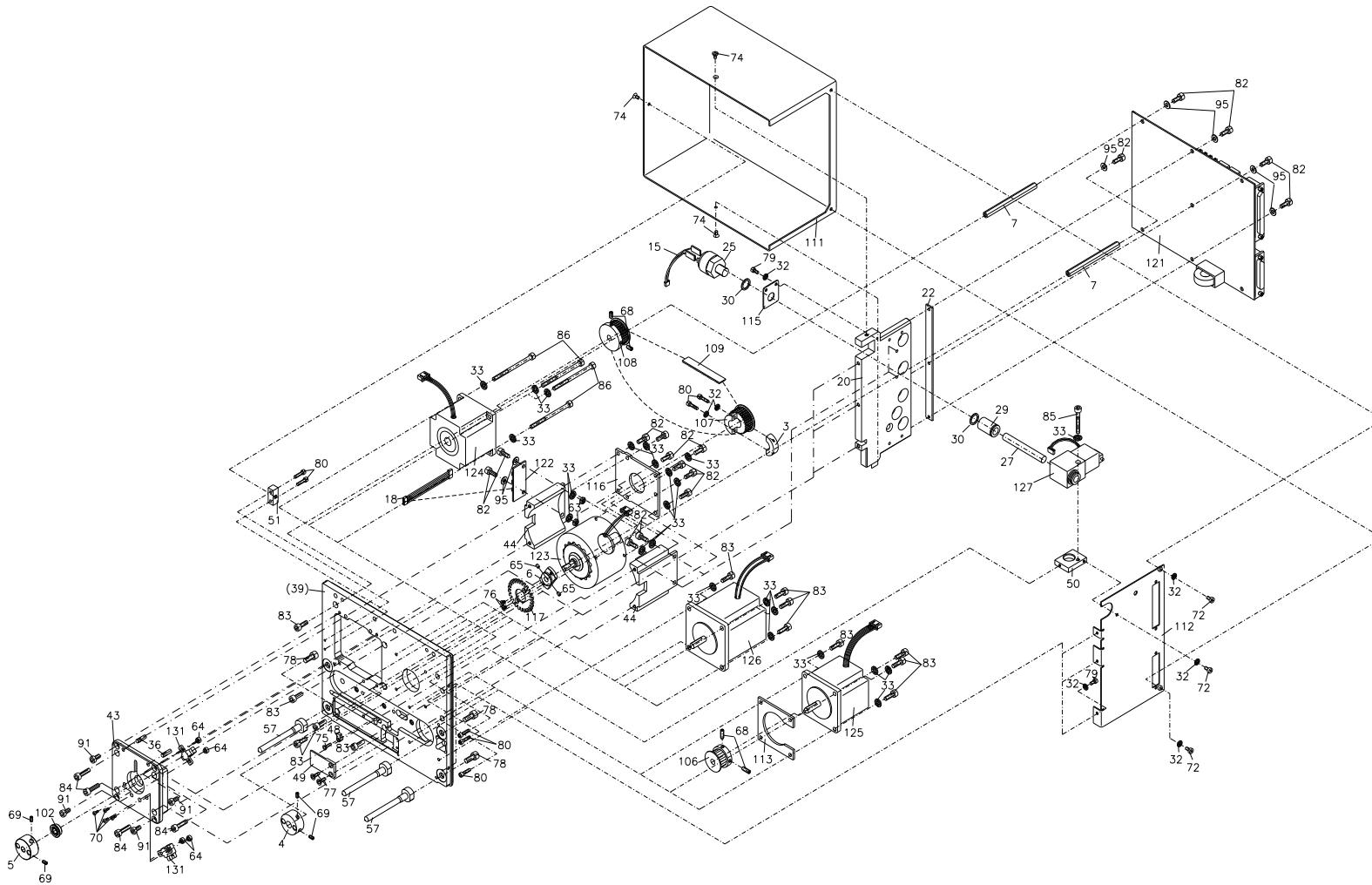
Print mechanism Dynacode 53-12, right

Pos	Ident-No.	Description1	Description2	Quantity
131	71.57.040	Photocell dual transmission encoder	Dynacode	2
132	72.57.001	Toothed belt wheel cpl	Dynacode/Flexicode	1
133*	72.57.025A	Centering bushing cpl	Dynacode	2
134*	72.57.100	Bogie wheel	Dynacode 53	1
135*	72.57.110	Return pulley	Dynacode 53	3
136	72.57.125	Ribbon rewinding/unwinding roller cpl	Dynacode 53	2
137	72.57.130	Printhead bracket cpl	Dynacode 53	1
138	72.57.135	Interlayer cpl, right	Dynacode 53, right	1
139	72.57.140	Pressure bracket cpl, right	Dynacode 53, right	1
140	72.57.145	Guiding roller cpl	Dynacode 53	1

*Recommended spare part

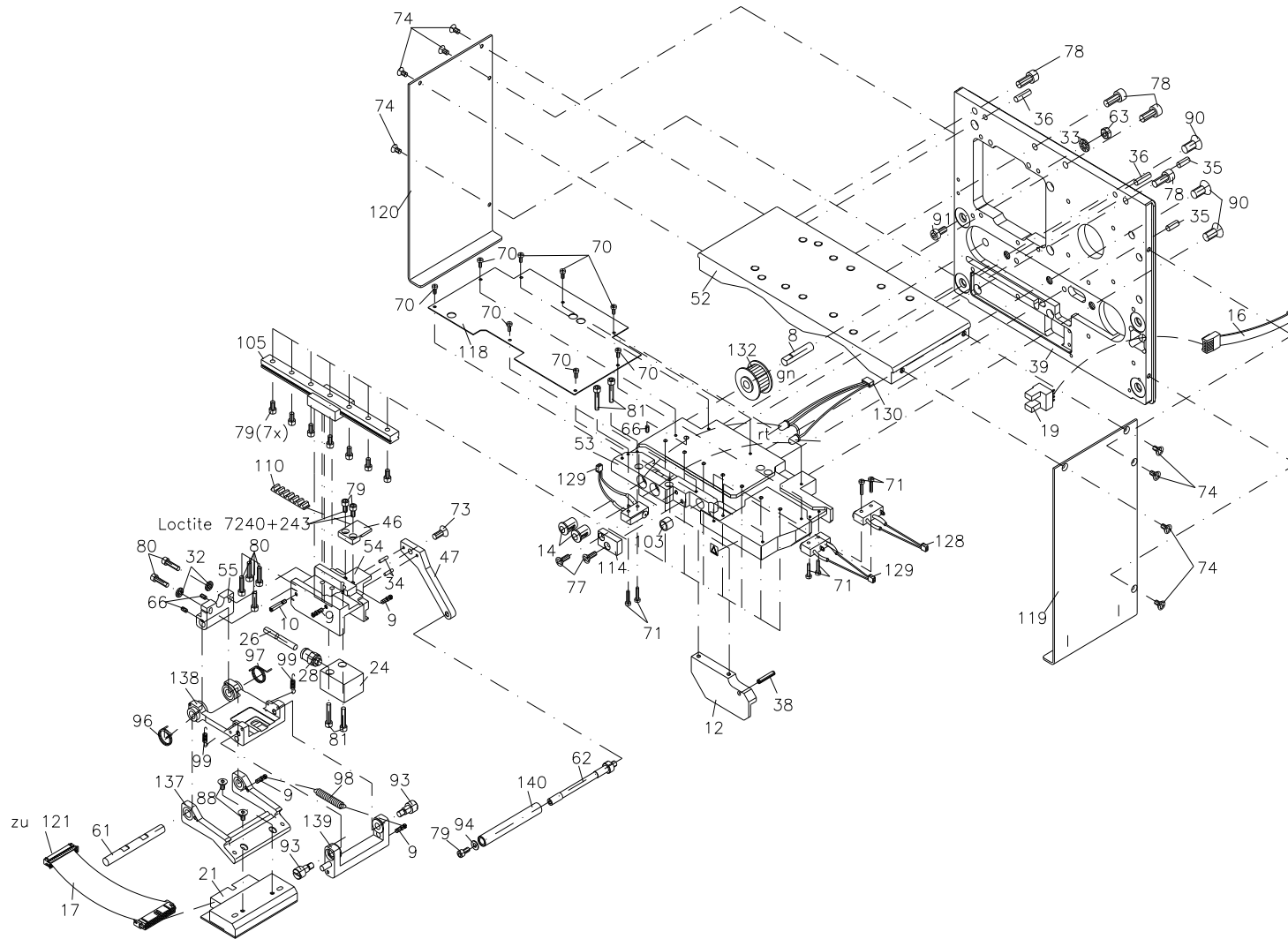
71.57.650

Print mechanism Dynacode 53-12, left



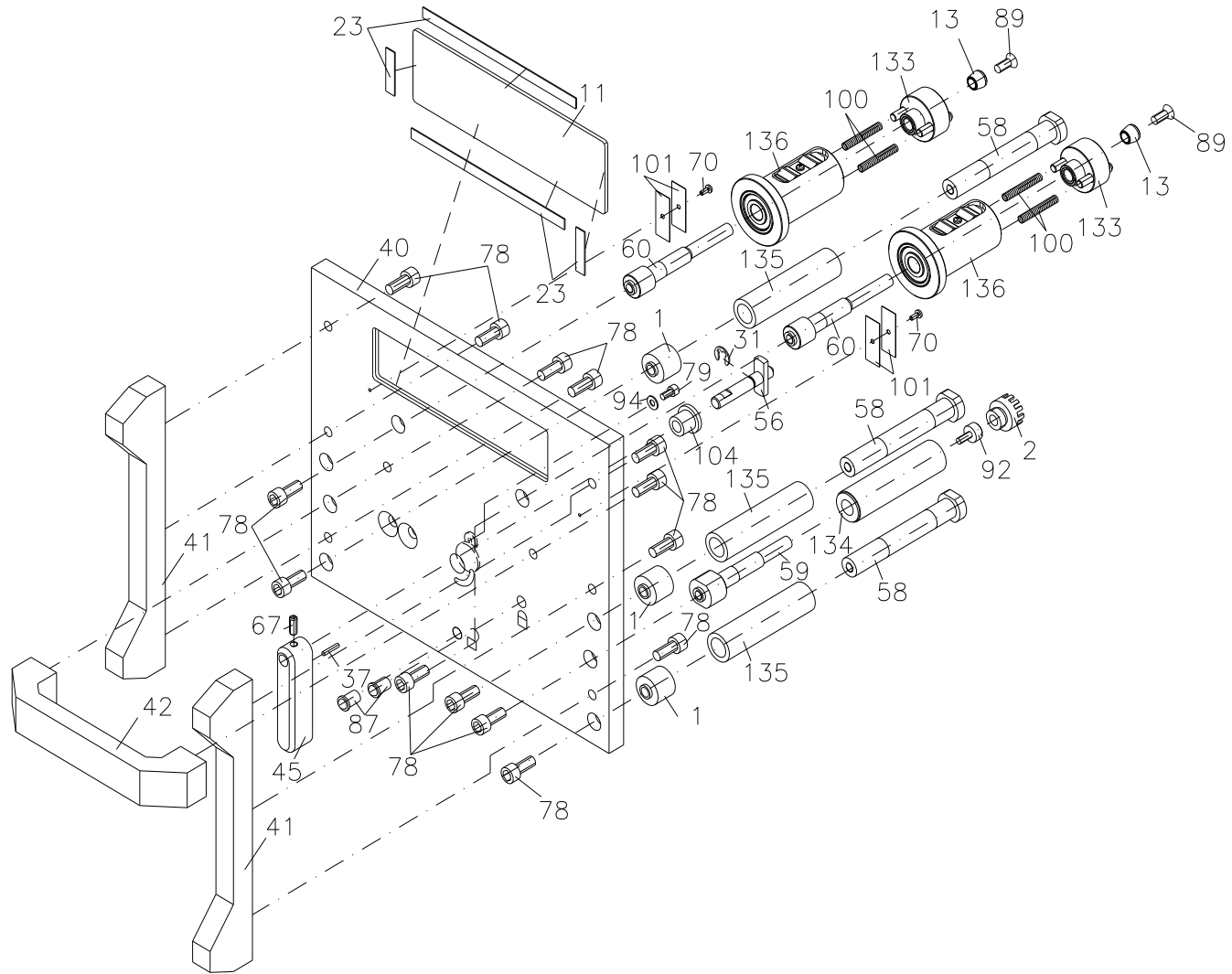
71.57.650

Print mechanism Dynacode 53-12, left



71.57.650

Print mechanism Dynacode 53-12, left



71.57.650

Print mechanism Dynacode 53-12, left

Pos	Ident-No.	Description1	Description2	Quantity
1	10.57.001	Bushing for centering bearing	Dynacode	3
2*	10.57.005	Spocket wheel	Dynacode	1
3	10.57.010	Clamping piece	Dynacode	1
4	10.57.017	Bushing for motor, large	Dynacode	1
5	10.57.023	Bushing for coupling	Dynacode	1
6	10.57.030	Bush bearing	Dynacode	1
7	12.40.480	DISTANCE BOLT M4 X 80		2
8	12.57.001	PIN		1
9	12.57.015	Spring pillar	Dynacode/Flexicode	4
10	12.57.020	Switching pin	Dynacode	1
11	16.57.001	Window	Dynacode	1
12	16.57.020	Limit stop	Dynacode, left	1
13*	18.57.025	Brake conus	Dynacode	2
14	27.03.010	LED holder 5 mm		2
15	28.57.024	Connecting cable pressure switch/motor plate	Dynacode	1
16	28.57.025	Connecting cable encoder/motor plate, left	Dynacode	1
17*	28.57.031	Printhead adapter	Dynacode	1
18	28.57.040	Connecting cable Dual-Reflection encoder	left, Dynacode	1
19	31.03.035	Photocell		1
20	31.57.005	Cooling element	Dynacode	1
21*	37.04.0535	Thermal printhead 53-12	Dynacode/Dynacode II/Flexicode	1
22	37.57.005	Silicon foil self-adhesive	in meters	0,01m
23	37.57.400	Adhesive tape 6 mm		0,01
24*	37.67.001	Short-stroke cylinder	DPM III/Dynacode/Flexicode/DPM IV	1
25*	37.67.002	Switch	DPM III/Dynacode/Flexicode	1
26*	37.67.025	Pneumatic tube 4 mm	DPM III/Dynacode/APX, in meters	0,38m

*Recommended spare part

71.57.650

Print mechanism Dynacode 53-12, left

Pos	Ident-No.	Description1	Description2	Quantity
27*	37.67.026	Pneumatic tube 8 mm	DPM III/Dynacode/Flexicode, in meters	0,04m
28	37.67.030	Screw joint connector 4 mm/M5	Dynacode/Flexicode/APX	1
29	37.67.060	Screw joint connector inner thread 8 mm	DPM III/Dynacode	1
30*	37.67.075	Seal ring	DPM III/Dynacode/Flexicode	2
31	40.01.005V	Shaft protection 5 mm stainless		1
32	41.03.003V	Lock washer M3 stainless		9
33	41.03.004V	Lock washer M4 stainless		25
34	42.13.208V	Grooved pin 2 x 8 mm		2
35	42.13.410V	TAPER PIN 4x10 S2 DIN 1472		2
36	42.13.414V	Grooved pin 4 x 14 mm		4
37	42.14.210V	Pin 2 x 10 mm		1
38	43.06.316	Pin 3 x 16 mm		1
39	45.57.005	Carrier plate	Dynacode 53, left	1
40	45.57.010	Cassette plate	Dynacode	1
41	45.57.030	Strut	Dynacode	2
42	45.57.035	Handle	Dynacode	1
43	45.57.041	Carrier plate for coupling	Dynacode	1
44	45.57.042	Bearing for clutch	Dynacode	2
45	45.57.057	Closing lever	Dynacode	1
46	45.57.060	Clamping piece	Dynacode	1
47	45.57.070	GUIDE PLATE		1
48	45.57.075	Hose clamp	Dynacode	1
49	45.57.080	Cover		1
50	45.57.085	BRACKET		1
51	45.57.090	Bracket for cover	Dynacode	1
52	45.57.105	Cover plate	Dynacode 53	1

*Recommended spare part

71.57.650

Print mechanism Dynacode 53-12, left

Pos	Ident-No.	Description1	Description2	Quantity
53	45.57.115	Sole plate		1
54	45.57.125	Guiding carriage	Dynacode 53, left	1
55	45.57.145	Adjusting device	Dynacode 53	1
56	46.57.001	Cross bar	Dynacode	1
57	46.57.100	Centering ledge	Dynacode 53/Flexicode /ILX	3
58	46.57.105	Centering bearing	Dynacode 53	3
59	46.57.115	Bearing pillar	Dynacode 53	1
60	46.57.120	Ribbon rewinding/unwinding pillar	Dynacode 53	2
61	46.57.130	Printhead shaft	Dynacode 53	1
62	46.57.140	Pillar	Dynacode 53	1
63	47.05.001V	Hexagon nut M4 stainless		3
64	47.57.001	Nut M2	Dynacode	4
65	48.10.004V	Setscrew M3x4 stainless		2
66	48.10.005V	Setscrew M4x4 stainless		3
67	48.10.406V	Setscrew M4x6 stainless		1
68	48.10.408V	Setscrew M4x8 stainless		4
69	48.10.505V	Setscrew M5x5 stainless		4
70	48.14.105V	Pan screw M2x5 stainless		14
71	48.14.110V	Pan screw M2x10 stainless		6
72	48.14.306V	Pan screw M3x6 stainless		3
73	48.15.002V	Pan screw M4x10 stainless		1
74	48.15.003V	Countersunk screw M3x6 stainless		11
75	48.15.210V	Pan screw M2.5x10 stainless		1
76	48.15.304V	Countersunk screw M3x4 stainless		2
77	48.15.308V	Countersunk screw M3x8 stainless		4
78	48.16.006V	Socket cap screw M5x12		21

*Recommended spare part

71.57.650

Print mechanism Dynacode 53-12, left

Pos	Ident-No.	Description1	Description2	Quantity
79	48.16.306V	Socket cap screw M3x6 stainless		13
80	48.16.312V	Socket cap screw M3x12 stainless		13
81	48.16.316V	Socket cap screw M3x16 stainless		4
82	48.16.410V	Socket cap screw M4x10 stainless		16
83	48.16.412V	Socket cap screw M4x12 stainless		13
84	48.16.416V	Socket cap screw M4x16 stainless		4
85	48.16.430V	Socket cap screw M4x30 stainless		1
86	48.16.460V	Socket cap screw M4x60 stainless		4
87	48.18.010	Spring pressure piece		2
88	48.19.306V	Socket cap screw M3x6 stainless		2
89	48.19.410V	Socket cap screw M4x10 stainless		2
90	48.19.612V	Socket cap screw M6x12 stainless		3
91	48.20.408V	Socket cap screw M4x8 stainless		5
92	48.57.001	Screw	Dynacode	1
93	48.57.005	Screw	Dynacode/LPM II	2
94	50.01.057V	Washer 3.2 stainless		2
95	50.01.065V	Lock washer 4.3 stainless		7
96*	52.57.002	Spring, right	Dynacode	1
97*	52.57.006	Spring, left	Dynacode	1
98*	52.57.017	Tension spring	Dynacode	1
99*	52.57.020	Tension spring	Dynacode/Flexicode	2
100	52.57.025	Compression spring	Dynacode	4
101	52.57.110	Spring sheet	Dynacode 107/Dynacode 128	4
102*	57.01.008	Grooved ball bearing		1
103	57.02.001	Bearing bush 06x08x06		1
104	57.02.210	Sintered bronze flanged bushing		1

*Recommended spare part

71.57.650

Print mechanism Dynacode 53-12, left

Pos	Ident-No.	Description1	Description2	Quantity
105*	57.57.073	Slide mounting	Dynacode 53	1
106	59.57.005	Toothed belt wheel	Dynacode/Flexicode	1
107	59.57.015	Toothed belt wheel	Dynacode	1
108	59.57.020	Toothed belt wheel	Dynacode	1
109*	59.57.218	Toothed belt	Dynacode	1
110*	59.57.339	Toothed belt	Dynacode	1
111	67.57.005	Cover, behind	Dynacode	1
112	67.57.015	Connecting plate	Dynacode	1
113	67.57.030	INTERMEDIATE PLATE		1
114*	67.57.035	Keeper	Dynacode	1
115	67.57.045	Supporting plate	Dynacode	1
116	67.57.050	Sole plate for clutch	Dynacode	1
117	67.57.060	Washer	Dynacode	1
118	67.57.105	COVER PLATE		1
119	67.57.110	Cover on the side, right	Dynacode 53	1
120	67.57.115	Cover on the side, left	Dynacode 53	1
121*	70.57.015	Motor board	Dynacode	1
122	70.57.022	Circuit board	Dynacode	1
123	71.57.010	Clutch cpl	Dynacode	1
124	71.57.011	Serial stepper motor cpl	Dynacode	1
125	71.57.012	Parallel stepper motor cpl	Dynacode	1
126	71.57.013	Stepper motor ribbon rewinder	Dynacode	1
127*	71.57.020	Valve cpl	Dynacode	1
128*	71.57.022	Cassette switch cpl	Dynacode 53	1
129*	71.57.023	Final position switch cpl	Dynacode	2
130	71.57.025	LED cpl	Dynacode	1

*Recommended spare part

71.57.650

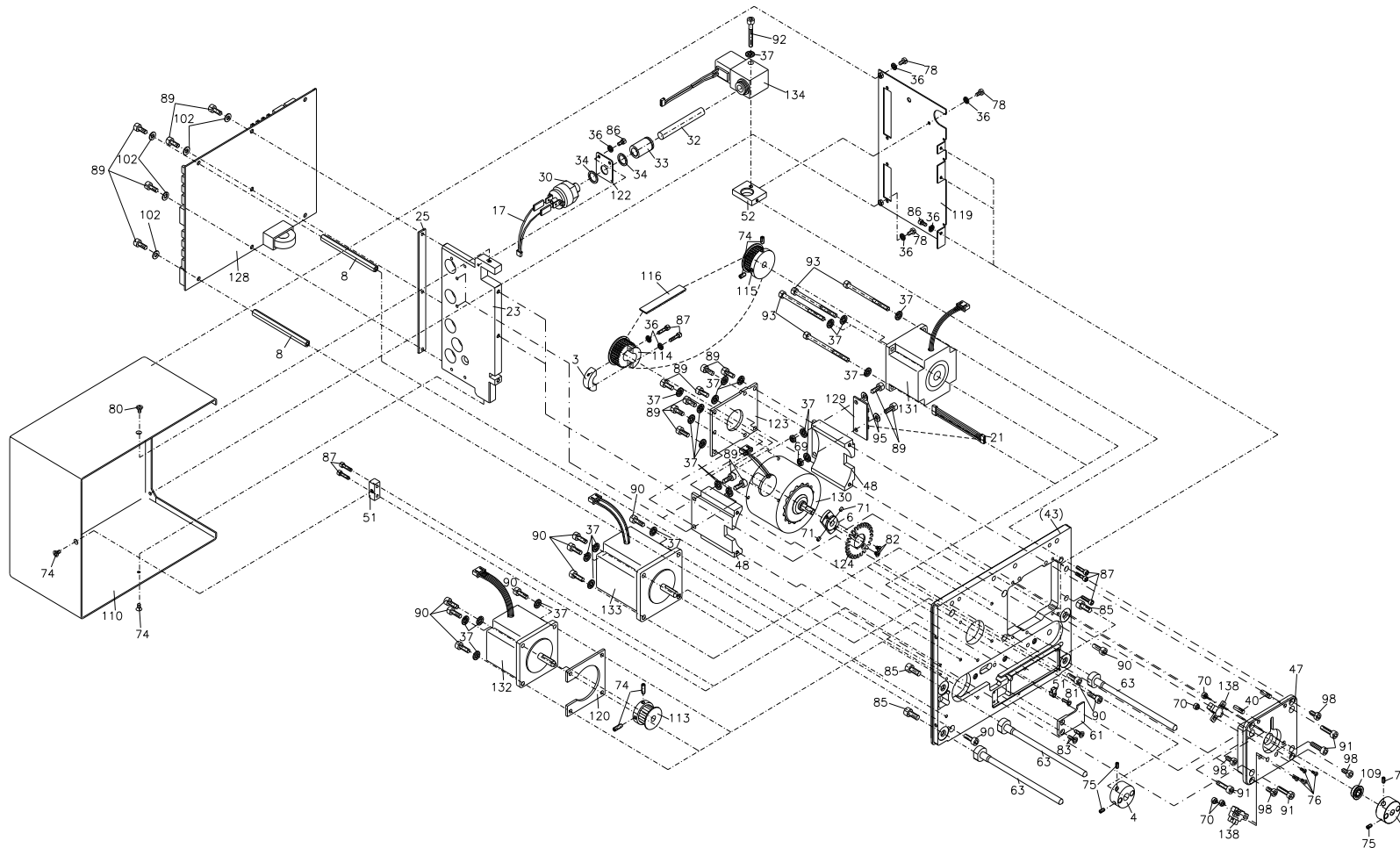
Print mechanism Dynacode 53-12, left

Pos	Ident-No.	Description1	Description2	Quantity
131	71.57.040	Photocell dual transmission encoder	Dynacode	2
132	72.57.001	Toothed belt wheel cpl	Dynacode/Flexicode	1
133*	72.57.025A	Centering bushing cpl	Dynacode	2
134*	72.57.100	Bogie wheel	Dynacode 53	1
135*	72.57.110	Return pulley	Dynacode 53	3
136	72.57.125	Ribbon rewinding/unwinding roller cpl	Dynacode 53	2
137	72.57.130	Printhead bracket cpl	Dynacode 53	1
138	72.57.137	Interlayer cpl, left	Dynacode 53, left	1
139	72.57.142	Pressure bracket cpl, left	Dynacode 53, left	1
140	72.57.145	Guiding roller cpl	Dynacode 53	1

*Recommended spare part

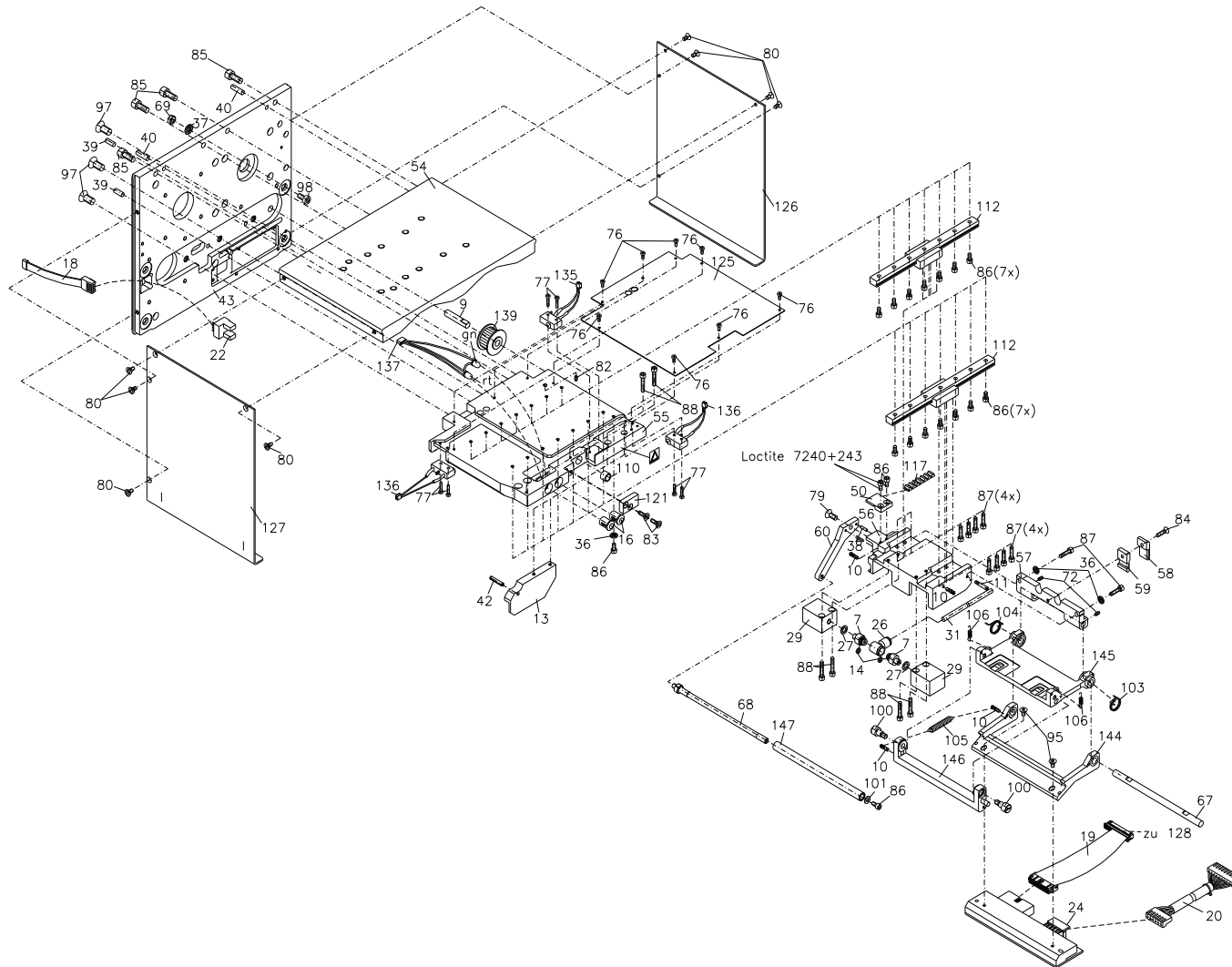
71.57.700

Print mechanism Dynacode 107-12, right



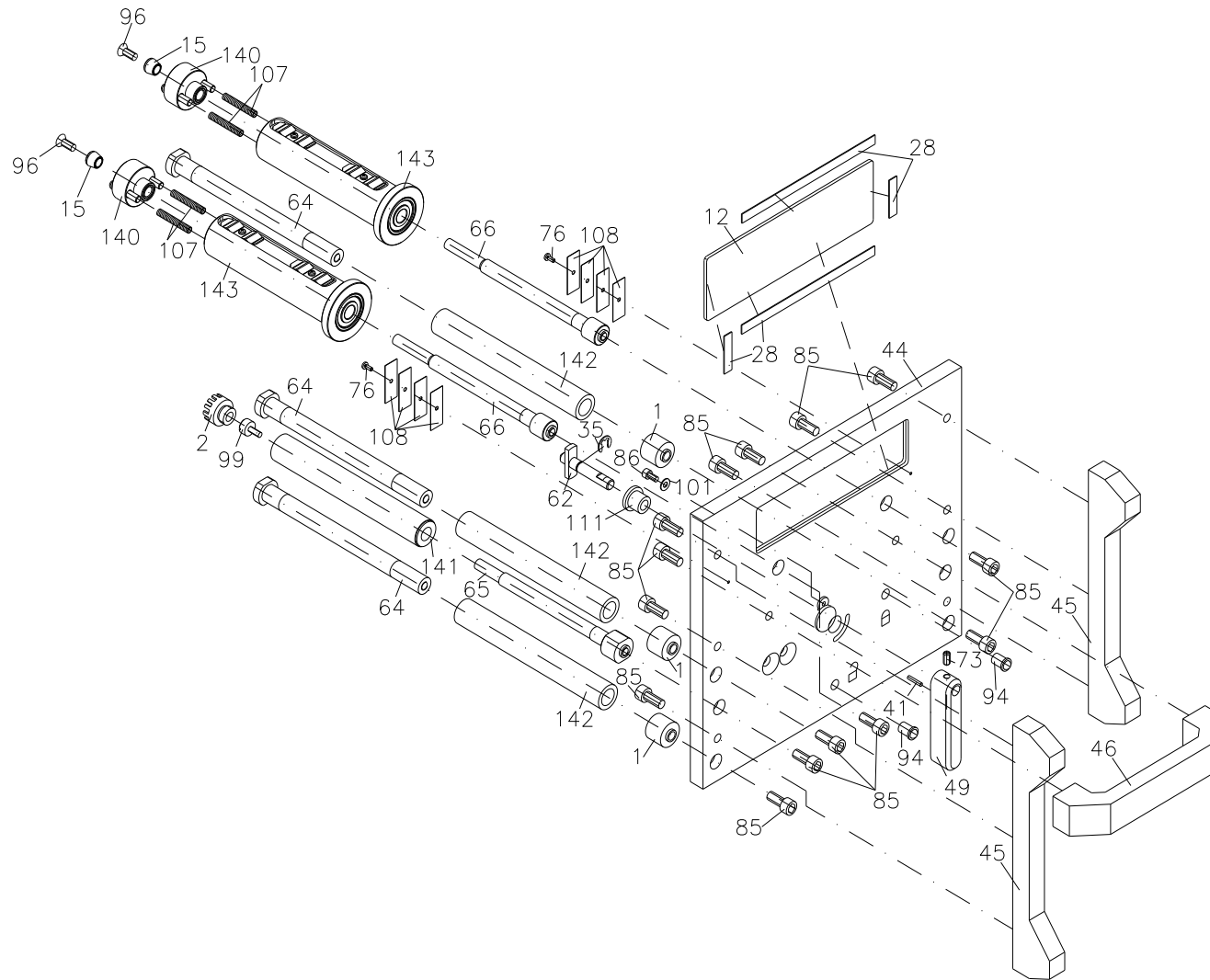
71.57.700

Print mechanism Dynacode 107-12, right



71.57.700

Print mechanism Dynacode 107-12, right



71.57.700

Print mechanism Dynacode 107-12, right

Pos	Ident-No.	Description1	Description2	Quantity
1	10.57.001	Bushing for centering bearing	Dynacode	3
2*	10.57.005	Spocket wheel	Dynacode	1
3	10.57.010	Clamping piece	Dynacode	1
4	10.57.017	Bushing for motor, large	Dynacode	1
5	10.57.023	Bushing for coupling	Dynacode	1
6	10.57.030	Bush bearing	Dynacode	1
7	10.57.201	SCREW-IN CONNECTION		2
8	12.40.480	DISTANCE BOLT M4 X 80		2
9	12.57.001	PIN		1
10	12.57.015	Spring pillar	Dynacode/Flexicode	4
11	12.57.020	Switching pin	Dynacode	1
12	16.57.001	Window	Dynacode	1
13	16.57.015	Limit stop	Dynacode, right	1
14*	18.01.011	RING 5x1		2
15*	18.57.025	Brake conus	Dynacode	2
16	27.03.010	LED holder 5 mm		2
17	28.57.024	Connecting cable pressure switch/motor plate	Dynacode	1
18	28.57.026	Connecting cable encoder/motor plate, right	Dynacode	1
19*	28.57.032	Printhead adapter	Dynacode	1
20*	28.57.033	Printhead cable, power supply	Dynacode	1
21	28.57.041	Connecting cable Dual-Reflection encoder	right, Dynacode	1
22	31.03.035	Photocell		1
23	31.57.005	Cooling element	Dynacode	1
24*	37.04.1010	Thermal printhead 107-12	Spectra II/SPE II/LPM II/Dynacode/Duoprint	1
25	37.57.005	Silicon foil self-adhesive	in meters	0,01m
26	37.57.201	SEAL RING		1

*Recommended spare part

71.57.700

Print mechanism Dynacode 107-12, right

Pos	Ident-No.	Description1	Description2	Quantity
27	37.57.205	SEAL RING		2
28	37.57.400	Adhesive tape 6 mm		0,01
29*	37.67.001	Short-stroke cylinder	DPM III/Dynacode/Flexicode/DPM IV	2
30*	37.67.002	Switch	DPM III/Dynacode/Flexicode	1
31*	37.67.025	Pneumatic tube 4 mm	DPM III/Dynacode/APX, in meters	0,42m
32*	37.67.026	Pneumatic tube 8 mm	DPM III/Dynacode/Flexicode, in meters	0,04m
33	37.67.060	Screw joint connector inner thread 8 mm	DPM III/Dynacode	1
34*	37.67.075	Seal ring	DPM III/Dynacode/Flexicode	2
35	40.01.005V	Shaft protection 5 mm stainless		1
36	41.03.003V	Lock washer M3 stainless		9
37	41.03.004V	Lock washer M4 stainless		25
38	42.13.208V	Grooved pin 2 x 8 mm		2
39	42.13.410V	TAPER PIN 4x10 S2 DIN 1472		2
40	42.13.414V	Grooved pin 4 x 14 mm		4
41	42.14.210V	Pin 2 x 10 mm		1
42	43.06.316	Pin 3 x 16 mm		1
43	45.57.003	Carrier plate		1
44	45.57.010	Cassette plate	Dynacode	1
45	45.57.030	Strut	Dynacode	2
46	45.57.035	Handle	Dynacode	1
47	45.57.041	Carrier plate for coupling	Dynacode	1
48	45.57.042	Bearing for clutch	Dynacode	2
49	45.57.057	Closing lever	Dynacode	1
50	45.57.060	Clamping piece	Dynacode	1
51	45.57.075	Hose clamp	Dynacode	1
52	45.57.085	BRACKET		1

*Recommended spare part

71.57.700

Print mechanism Dynacode 107-12, right

Pos	Ident-No.	Description1	Description2	Quantity
53	45.57.090	Bracket for cover	Dynacode	1
54	45.57.205	Cover plate	Dynacode 107	1
55	45.57.210	Sole plate	Dynacode 107, right	1
56	45.57.220	Guiding carriage	Dynacode 107, right	1
57	45.57.245	ADJUSTING PART		1
58	45.57.252	Cable clip outside, for power cable	Dynacode 107/Dynacode 128	1
59	45.57.257	Cable clip inside, for powre cable	Dynacode 107/Dynacode 128	1
60	45.57.265	GUIDING PLATE		1
61	45.57.280	Cover	Dynacode 107/Dynacode 128, right	1
62	46.57.001	Cross bar	Dynacode	1
63	46.57.200	Centering ledge	Dynacode 107/ILX 10X	3
64	46.57.205	Centering bearing	Dynacode 107	3
65	46.57.215	Bearing pillar	Dynacode 107	1
66	46.57.220	Ribbon rewinding/unwinding pillar	Dynacode 107	2
67	46.57.230	Printhead shaft	Dynacode 107	1
68	46.57.240	Guiding pillar	Dynacode 107	1
69	47.05.001V	Hexagon nut M4 stainless		3
70	47.57.001	Nut M2	Dynacode	4
71	48.10.004V	Setscrew M3x4 stainless		2
72	48.10.005V	Setscrew M4x4 stainless		3
73	48.10.406V	Setscrew M4x6 stainless		1
74	48.10.408V	Setscrew M4x8 stainless		4
75	48.10.505V	Setscrew M5x5 stainless		4
76	48.14.105V	Pan screw M2x5 stainless		14
77	48.14.110V	Pan screw M2x10 stainless		6
78	48.14.306V	Pan screw M3x6 stainless		3

*Recommended spare part

71.57.700

Print mechanism Dynacode 107-12, right

Pos	Ident-No.	Description1	Description2	Quantity
79	48.15.002V	Pan screw M4x10 stainless		1
80	48.15.003V	Countersunk screw M3x6 stainless		11
81	48.15.210V	Pan screw M2.5x10 stainless		1
82	48.15.304V	Countersunk screw M3x4 stainless		2
83	48.15.308V	Countersunk screw M3x8 stainless		4
84	48.15.312V	Countersunk screw M3x12 stainless		1
85	48.16.006V	Socket cap screw M5x12		21
86	48.16.306V	Socket cap screw M3x6 stainless		21
87	48.16.312V	Socket cap screw M3x12 stainless		17
88	48.16.316V	Socket cap screw M3x16 stainless		6
89	48.16.410V	Socket cap screw M4x10 stainless		16
90	48.16.412V	Socket cap screw M4x12 stainless		12
91	48.16.416V	Socket cap screw M4x16 stainless		4
92	48.16.430V	Socket cap screw M4x30 stainless		1
93	48.16.460V	Socket cap screw M4x60 stainless		4
94	48.18.010	Spring pressure piece		2
95	48.19.306V	Socket cap screw M3x6 stainless		2
96	48.19.410V	Socket cap screw M4x10 stainless		2
97	48.19.612V	Socket cap screw M6x12 stainless		3
98	48.20.408V	Socket cap screw M4x8 stainless		5
99	48.57.001	Screw	Dynacode	1
100	48.57.005	Screw	Dynacode/LPM II	2
101	50.01.057V	Washer 3.2 stainless		2
102	50.01.065V	Lock washer 4.3 stainless		7
103*	52.57.002	Spring, right	Dynacode	1
104*	52.57.006	Spring, left	Dynacode	1

*Recommended spare part

71.57.700

Print mechanism Dynacode 107-12, right

Pos	Ident-No.	Description1	Description2	Quantity
105*	52.57.017	Tension spring	Dynacode	1
106*	52.57.020	Tension spring	Dynacode/Flexicode	2
107	52.57.025	Compression spring	Dynacode	4
108	52.57.110	Spring sheet	Dynacode 107/Dynacode 128	8
109*	57.01.008	Grooved ball bearing		1
110	57.02.001	Bearing bush 06x08x06		1
111	57.02.210	Sintered bronze flanged bushing		1
112*	57.57.075	Slide mounting	Dynacode 107/Dynacode 128	2
113	59.57.005	Toothed belt wheel	Dynacode/Flexicode	1
114	59.57.015	Toothed belt wheel	Dynacode	1
115	59.57.020	Toothed belt wheel	Dynacode	1
116*	59.57.218	Toothed belt	Dynacode	1
117*	59.57.339	Toothed belt	Dynacode	1
118	67.57.005	Cover, behind	Dynacode	1
119	67.57.015	Connecting plate	Dynacode	1
120	67.57.030	INTERMEDIATE PLATE		1
121*	67.57.035	Keeper	Dynacode	1
122	67.57.045	Supporting plate	Dynacode	1
123	67.57.050	Sole plate for clutch	Dynacode	1
124	67.57.060	Washer	Dynacode	1
125	67.57.200	Cover plate	Dynacode 107, right	1
126	67.57.210	Cover on the side, right	Dynacode 107	1
127	67.57.215	Cover on the side, left	Dynacode 107	1
128*	70.57.015	Motor board	Dynacode	1
129	70.57.022	Circuit board	Dynacode	1
130	71.57.010	Clutch cpl	Dynacode	1

*Recommended spare part

71.57.700

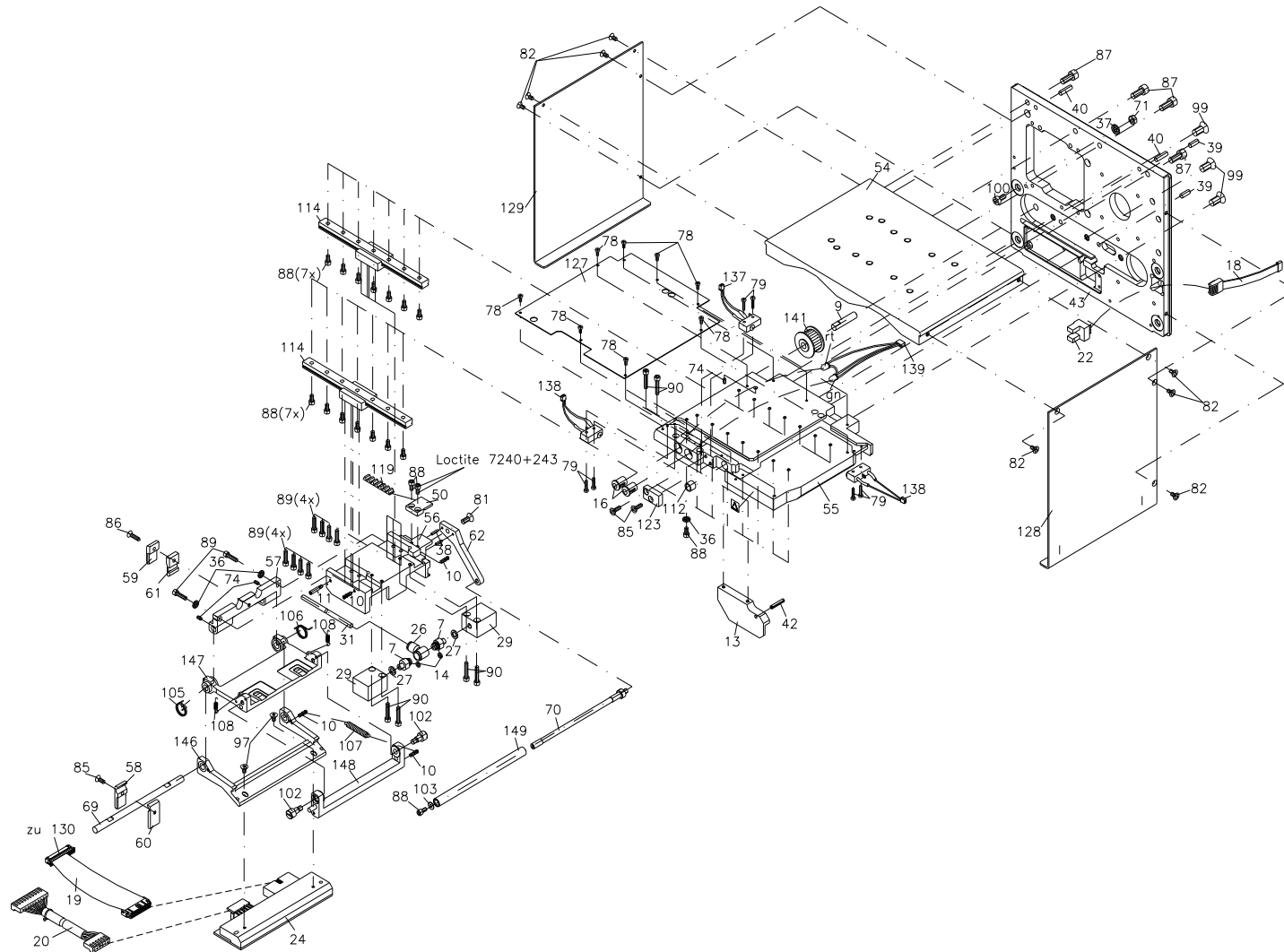
Print mechanism Dynacode 107-12, right

Pos	Ident-No.	Description1	Description2	Quantity
131	71.57.011	Serial stepper motor cpl	Dynacode	1
132	71.57.012	Parallel stepper motor cpl	Dynacode	1
133	71.57.013	Stepper motor ribbon rewiner	Dynacode	1
134*	71.57.020	Valve cpl	Dynacode	1
135	71.57.021	Cassette switch cpl	Dynacode 107/Dynacode 128	1
136*	71.57.023	Final position switch cpl	Dynacode	2
137	71.57.025	LED cpl	Dynacode	1
138	71.57.040	Photocell dual transmission encoder	Dynacode	2
139	72.57.001	Toothed belt wheel cpl	Dynacode/Flexicode	1
140*	72.57.025A	Centering bushing cpl	Dynacode	2
141*	72.57.200	Bogie wheel	Dynacode 107	1
142*	72.57.210	Return pulley	Dynacode 107	3
143	72.57.225	Ribbon rewinding/unwinding roller cpl	Dynacode 107	2
144	72.57.230	Printhead bracket cpl	Dynacode 107	1
145	72.57.235	Interlayer cpl, right	Dynacode 107, right	1
146	72.57.240	Andruckbügel kpl. DYNACODE 107 rechts	Dynacode 107, right	1
147	72.57.245	Guiding roller cpl	Dynacode 107	1

*Recommended spare part

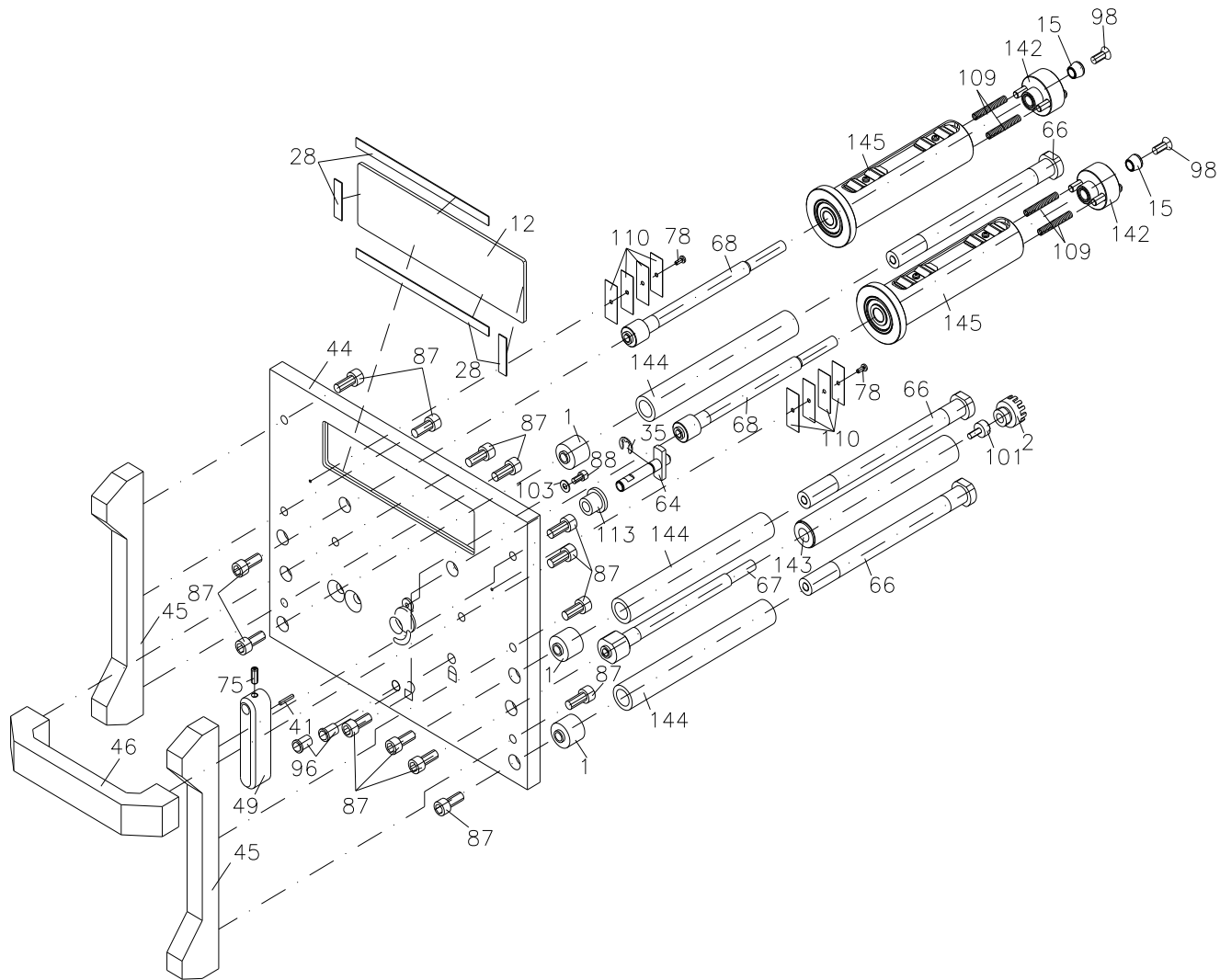
71.57.750

Print mechanism Dynacode 107-12, left



71.57.750

Print mechanism Dynacode 107-12, left



71.57.750

Print mechanism Dynacode 107-12, left

Pos	Ident-No.	Description1	Description2	Quantity
1	10.57.001	Bushing for centering bearing	Dynacode	3
2*	10.57.005	Spocket wheel	Dynacode	1
3	10.57.010	Clamping piece	Dynacode	1
4	10.57.017	Bushing for motor, large	Dynacode	1
5	10.57.023	Bushing for coupling	Dynacode	1
6	10.57.030	Bush bearing	Dynacode	1
7	10.57.201	SCREW-IN CONNECTION		2
8	12.40.480	DISTANCE BOLT M4 X 80		2
9	12.57.001	PIN		1
10	12.57.015	Spring pillar	Dynacode/Flexicode	4
11	12.57.020	Switching pin	Dynacode	1
12	16.57.001	Window	Dynacode	1
13	16.57.020	Limit stop	Dynacode, left	1
14*	18.01.011	RING 5x1		2
15*	18.57.025	Brake conus	Dynacode	2
16	27.03.010	LED holder 5 mm		2
17	28.57.024	Connecting cable pressure switch/motor plate	Dynacode	1
18	28.57.025	Connecting cable encoder/motor plate, left	Dynacode	1
19*	28.57.032	Printhead adapter	Dynacode	1
20*	28.57.033	Printhead cable, power supply	Dynacode	1
21	28.57.040	Connecting cable Dual-Reflection encoder	left, Dynacode	1
22	31.03.035	Photocell		1
23	31.57.005	Cooling element	Dynacode	1
24*	37.04.1010	Thermal printhead 107-12	Spectra II/SPE II/LPM II/Dynacode/Duoprint	1
25	37.57.005	Silicon foil self-adhesive	in meters	0,01m
26	37.57.201	SEAL RING		1

*Recommended spare part

71.57.750

Print mechanism Dynacode 107-12, left

Pos	Ident-No.	Description1	Description2	Quantity
27	37.57.205	SEAL RING		2
28	37.57.400	Adhesive tape 6 mm		0,01
29*	37.67.001	Short-stroke cylinder	DPM III/Dynacode/Flexicode/DPM IV	2
30*	37.67.002	Switch	DPM III/Dynacode/Flexicode	1
31*	37.67.025	Pneumatic tube 4 mm	DPM III/Dynacode/APX, in meters	0,38m
32*	37.67.026	Pneumatic tube 8 mm	DPM III/Dynacode/Flexicode, in meters	0,04m
33	37.67.060	Screw joint connector inner thread 8 mm	DPM III/Dynacode	1
34*	37.67.075	Seal ring	DPM III/Dynacode/Flexicode	2
35	40.01.005V	Shaft protection 5 mm stainless		1
36	41.03.003V	Lock washer M3 stainless		9
37	41.03.004V	Lock washer M4 stainless		25
38	42.13.208V	Grooved pin 2 x 8 mm		2
39	42.13.410V	TAPER PIN 4x10 S2 DIN 1472		2
40	42.13.414V	Grooved pin 4 x 14 mm		4
41	42.14.210V	Pin 2 x 10 mm		1
42	43.06.316	Pin 3 x 16 mm		1
43	45.57.007	Carrier plate		1
44	45.57.010	Cassette plate	Dynacode	1
45	45.57.030	Strut	Dynacode	2
46	45.57.035	Handle	Dynacode	1
47	45.57.041	Carrier plate for coupling	Dynacode	1
48	45.57.042	Bearing for clutch	Dynacode	2
49	45.57.057	Closing lever	Dynacode	1
50	45.57.060	Clamping piece	Dynacode	1
51	45.57.075	Hose clamp	Dynacode	1
52	45.57.085	BRACKET		1

*Recommended spare part

71.57.750

Print mechanism Dynacode 107-12, left

Pos	Ident-No.	Description1	Description2	Quantity
53	45.57.090	Bracket for cover	Dynacode	1
54	45.57.205	Cover plate	Dynacode 107	1
55	45.57.215	Sole plate		1
56	45.57.225	Guiding carriage	Dynacode 107, left	1
57	45.57.245	ADJUSTING PART		1
58	45.57.250	Cable clip outside, for signal cable	Dynacode 107/Dynacode 128, left	1
59	45.57.252	Cable clip outside, for power cable	Dynacode 107/Dynacode 128	1
60	45.57.255	Cable clip inside, for signal cable	Dynacode 107/Dynacode 128, left	1
61	45.57.257	Cable clip inside, for powre cable	Dynacode 107/Dynacode 128	1
62	45.57.270	Guiding plate, left	Dynacode 107/Dynacode 128, left	1
63	45.57.282	Cover	Dynacode 107/Dynacode 128, left	1
64	46.57.001	Cross bar	Dynacode	1
65	46.57.200	Centering ledge	Dynacode 107/ILX 10X	3
66	46.57.205	Centering bearing	Dynacode 107	3
67	46.57.215	Bearing pillar	Dynacode 107	1
68	46.57.220	Ribbon rewinding/unwinding pillar	Dynacode 107	2
69	46.57.230	Printhead shaft	Dynacode 107	1
70	46.57.240	Guiding pillar	Dynacode 107	1
71	47.05.001V	Hexagon nut M4 stainless		3
72	47.57.001	Nut M2	Dynacode	4
73	48.10.004V	Setscrew M3x4 stainless		2
74	48.10.005V	Setscrew M4x4 stainless		3
75	48.10.406V	Setscrew M4x6 stainless		1
76	48.10.408V	Setscrew M4x8 stainless		4
77	48.10.505V	Setscrew M5x5 stainless		4
78	48.14.105V	Pan screw M2x5 stainless		14

*Recommended spare part

71.57.750

Print mechanism Dynacode 107-12, left

Pos	Ident-No.	Description1	Description2	Quantity
79	48.14.110V	Pan screw M2x10 stainless		6
80	48.14.306V	Pan screw M3x6 stainless		3
81	48.15.002V	Pan screw M4x10 stainless		1
82	48.15.003V	Countersunk screw M3x6 stainless		11
83	48.15.210V	Pan screw M2.5x10 stainless		1
84	48.15.304V	Countersunk screw M3x4 stainless		2
85	48.15.308V	Countersunk screw M3x8 stainless		5
86	48.15.312V	Countersunk screw M3x12 stainless		1
87	48.16.006V	Socket cap screw M5x12		21
88	48.16.306V	Socket cap screw M3x6 stainless		21
89	48.16.312V	Socket cap screw M3x12 stainless		17
90	48.16.316V	Socket cap screw M3x16 stainless		6
91	48.16.410V	Socket cap screw M4x10 stainless		16
92	48.16.412V	Socket cap screw M4x12 stainless		12
93	48.16.416V	Socket cap screw M4x16 stainless		4
94	48.16.430V	Socket cap screw M4x30 stainless		1
95	48.16.460V	Socket cap screw M4x60 stainless		4
96	48.18.010	Spring pressure piece		2
97	48.19.306V	Socket cap screw M3x6 stainless		2
98	48.19.410V	Socket cap screw M4x10 stainless		2
99	48.19.612V	Socket cap screw M6x12 stainless		3
100	48.20.408V	Socket cap screw M4x8 stainless		5
101	48.57.001	Screw	Dynacode	1
102	48.57.005	Screw	Dynacode/LPM II	2
103	50.01.057V	Washer 3.2 stainless		2
104	50.01.065V	Lock washer 4.3 stainless		7

*Recommended spare part

71.57.750

Print mechanism Dynacode 107-12, left

Pos	Ident-No.	Description1	Description2	Quantity
105*	52.57.002	Spring, right	Dynacode	1
106*	52.57.006	Spring, left	Dynacode	1
107*	52.57.017	Tension spring	Dynacode	1
108*	52.57.020	Tension spring	Dynacode/Flexicode	2
109	52.57.025	Compression spring	Dynacode	4
110	52.57.110	Spring sheet	Dynacode 107/Dynacode 128	8
111*	57.01.008	Grooved ball bearing		1
112	57.02.001	Bearing bush 06x08x06		1
113	57.02.210	Sintered bronze flanged bushing		1
114*	57.57.075	Slide mounting	Dynacode 107/Dynacode 128	2
115	59.57.005	Toothed belt wheel	Dynacode/Flexicode	1
116	59.57.015	Toothed belt wheel	Dynacode	1
117	59.57.020	Toothed belt wheel	Dynacode	1
118*	59.57.218	Toothed belt	Dynacode	1
119*	59.57.339	Toothed belt	Dynacode	1
120	67.57.005	Cover, behind	Dynacode	1
121	67.57.015	Connecting plate	Dynacode	1
122	67.57.030	INTERMEDIATE PLATE		1
123*	67.57.035	Keeper	Dynacode	1
124	67.57.045	Supporting plate	Dynacode	1
125	67.57.050	Sole plate for clutch	Dynacode	1
126	67.57.060	Washer	Dynacode	1
127	67.57.205	COVER PLATE		1
128	67.57.210	Cover on the side, right	Dynacode 107	1
129	67.57.215	Cover on the side, left	Dynacode 107	1
130*	70.57.015	Motor board	Dynacode	1

*Recommended spare part

71.57.750

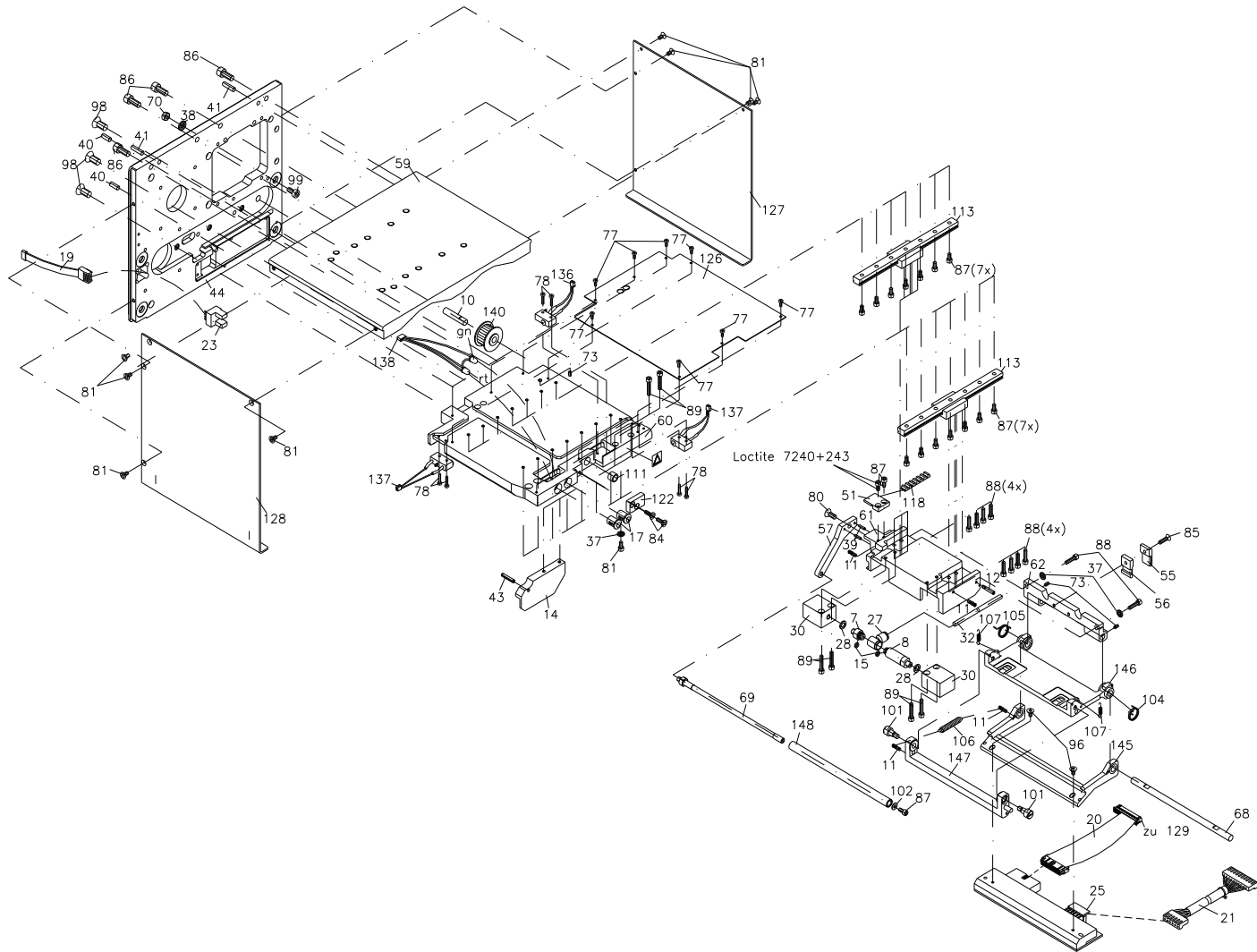
Print mechanism Dynacode 107-12, left

Pos	Ident-No.	Description1	Description2	Quantity
131	70.57.022	Circuit board	Dynacode	1
132	71.57.010	Clutch cpl	Dynacode	1
133	71.57.011	Serial stepper motor cpl	Dynacode	1
134	71.57.012	Parallel stepper motor cpl	Dynacode	1
135	71.57.013	Stepper motor ribbon rewiner	Dynacode	1
136*	71.57.020	Valve cpl	Dynacode	1
137	71.57.021	Cassette switch cpl	Dynacode 107/Dynacode 128	1
138*	71.57.023	Final position switch cpl	Dynacode	2
139	71.57.025	LED cpl	Dynacode	1
140	71.57.040	Photocell dual transmission encoder	Dynacode	2
141	72.57.001	Toothed belt wheel cpl	Dynacode/Flexicode	1
142*	72.57.025A	Centering bushing cpl	Dynacode	2
143*	72.57.200	Bogie wheel	Dynacode 107	1
144*	72.57.210	Return pulley	Dynacode 107	3
145	72.57.225	Ribbon rewinding/unwinding roller cpl	Dynacode 107	2
146	72.57.230	Printhead bracket cpl	Dynacode 107	1
147	72.57.237	Interlayer cpl, left	Dynacode 107, left	1
148	72.57.242	Pressure bracket cpl	Dynacode 107, left	1
149	72.57.245	Guiding roller cpl	Dynacode 107	1

*Recommended spare part

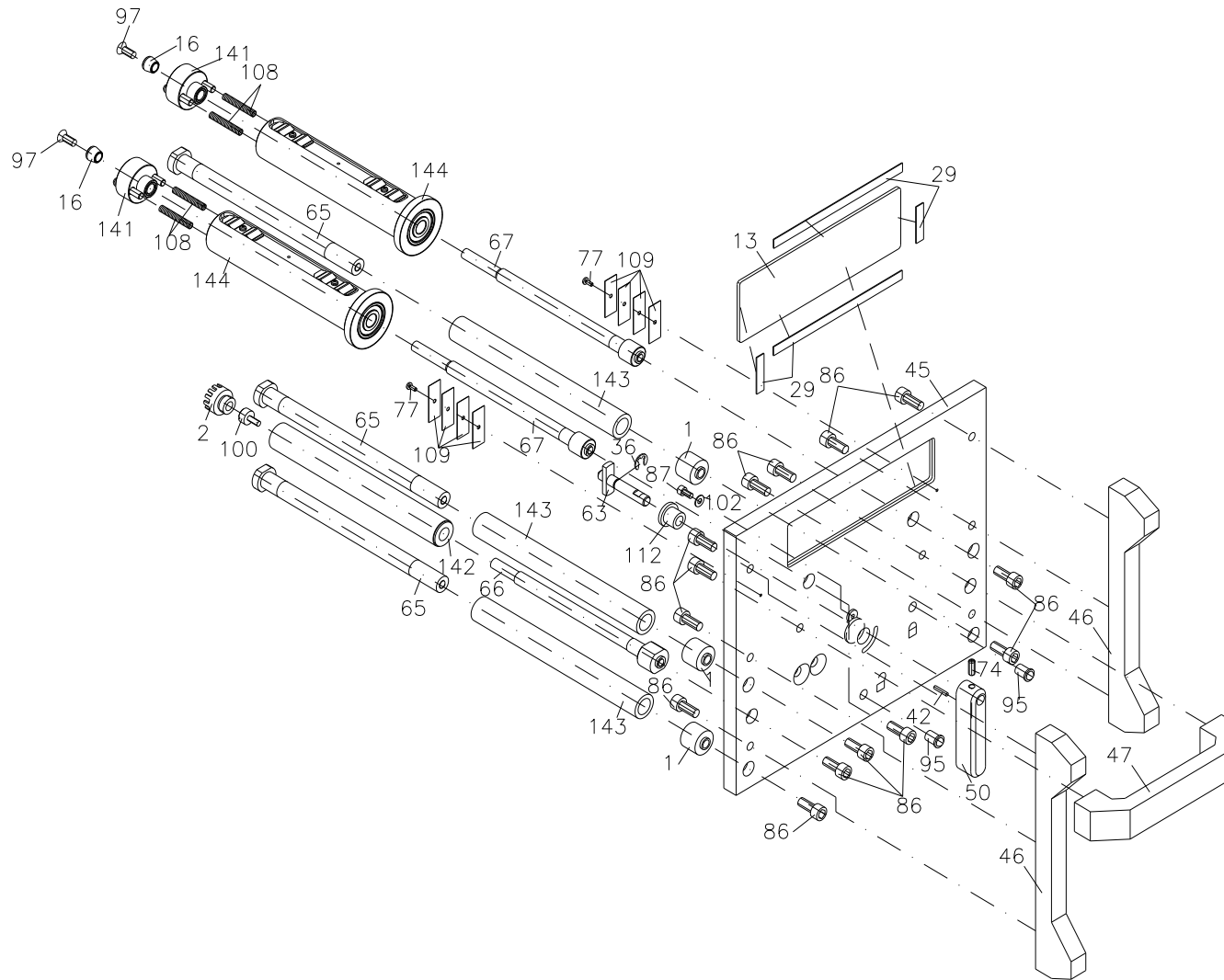
71.57.800

Print mechanism Dynacode 128-12, right



71.57.800

Print mechanism Dynacode 128-12, right



71.57.800

Print mechanism Dynacode 128-12, right

Pos	Ident-No.	Description1	Description2	Quantity
1	10.57.001	Bushing for centering bearing	Dynacode	3
2*	10.57.005	Spocket wheel	Dynacode	1
3	10.57.010	Clamping piece	Dynacode	1
4	10.57.017	Bushing for motor, large	Dynacode	1
5	10.57.023	Bushing for coupling	Dynacode	1
6	10.57.030	Bush bearing	Dynacode	1
7	10.57.201	SCREW-IN CONNECTION		1
8	10.57.301	SCREW-IN CONNECTION		1
9	12.40.480	DISTANCE BOLT M4 X 80		2
10	12.57.001	PIN		1
11	12.57.015	Spring pillar	Dynacode/Flexicode	4
12	12.57.020	Switching pin	Dynacode	1
13	16.57.001	Window	Dynacode	1
14	16.57.015	Limit stop	Dynacode, right	1
15*	18.01.011	RING 5x1		2
16*	18.57.025	Brake conus	Dynacode	2
17	27.03.010	LED holder 5 mm		2
18	28.57.024	Connecting cable pressure switch/motor plate	Dynacode	1
19	28.57.026	Connecting cable encoder/motor plate, right	Dynacode	1
20*	28.57.032	Printhead adapter	Dynacode	1
21*	28.57.033	Printhead cable, power supply	Dynacode	1
22	28.57.041	Connecting cable Dual-Reflection encoder	right, Dynacode	1
23	31.03.035	Photocell		1
24	31.57.005	Cooling element	Dynacode	1
25*	37.04.1280	Thermal printhead 128-12	Dynacode/Dynacode II	1
26	37.57.005	Silicon foil self-adhesive	in meters	0,01m

*Recommended spare part

71.57.800

Print mechanism Dynacode 128-12, right

Pos	Ident-No.	Description1	Description2	Quantity
27	37.57.201	SEAL RING		1
28	37.57.205	SEAL RING		2
29	37.57.400	Adhesive tape 6 mm		0,01
30*	37.67.001	Short-stroke cylinder	DPM III/Dynacode/Flexicode/DPM IV	2
31*	37.67.002	Switch	DPM III/Dynacode/Flexicode	1
32*	37.67.025	Pneumatic tube 4 mm	DPM III/Dynacode/APX, in meters	0,42m
33*	37.67.026	Pneumatic tube 8 mm	DPM III/Dynacode/Flexicode, in meters	0,04m
34	37.67.060	Screw joint connector inner thread 8 mm	DPM III/Dynacode	1
35*	37.67.075	Seal ring	DPM III/Dynacode/Flexicode	2
36	40.01.005V	Shaft protection 5 mm stainless		1
37	41.03.003V	Lock washer M3 stainless		9
38	41.03.004V	Lock washer M4 stainless		25
39	42.13.208V	Grooved pin 2 x 8 mm		2
40	42.13.410V	TAPER PIN 4x10 S2 DIN 1472		2
41	42.13.414V	Grooved pin 4 x 14 mm		4
42	42.14.210V	Pin 2 x 10 mm		1
43	43.06.316	Pin 3 x 16 mm		1
44	45.57.003	Carrier plate		1
45	45.57.010	Cassette plate	Dynacode	1
46	45.57.030	Strut	Dynacode	2
47	45.57.035	Handle	Dynacode	1
48	45.57.041	Carrier plate for coupling	Dynacode	1
49	45.57.042	Bearing for clutch	Dynacode	2
50	45.57.057	Closing lever	Dynacode	1
51	45.57.060	Clamping piece	Dynacode	1
52	45.57.075	Hose clamp	Dynacode	1

*Recommended spare part

71.57.800

Print mechanism Dynacode 128-12, right

Pos	Ident-No.	Description1	Description2	Quantity
53	45.57.085	BRACKET		1
54	45.57.090	Bracket for cover	Dynacode	1
55	45.57.252	Cable clip outside, for power cable	Dynacode 107/Dynacode 128	1
56	45.57.257	Cable clip inside, for powre cable	Dynacode 107/Dynacode 128	1
57	45.57.265	GUIDING PLATE		1
58	45.57.280	Cover	Dynacode 107/Dynacode 128, right	1
59	45.57.305	Cover plate	Dynacode 128	1
60	45.57.310	Sole plate, right	Dynacode 128, right	1
61	45.57.320	Guiding carriage, right	Dynacode 128, right	1
62	45.57.345	ADJUSTING PART		1
63	46.57.001	Cross bar	Dynacode	1
64	46.57.300	Centering ledge	Dynacode 128	3
65	46.57.305	Centering bearing	Dynacode 128	3
66	46.57.315	Bearing pillar	Dynacode 128	1
67	46.57.320	Ribbon rewinding/unwinding pillar	Dynacode 128	2
68	46.57.330	Printhead shaft	Dynacode 128	1
69	46.57.340	Guiding pillar	Dynacode 128	1
70	47.05.001V	Hexagon nut M4 stainless		3
71	47.57.001	Nut M2	Dynacode	4
72	48.10.004V	Setscrew M3x4 stainless		2
73	48.10.005V	Setscrew M4x4 stainless		3
74	48.10.406V	Setscrew M4x6 stainless		1
75	48.10.408V	Setscrew M4x8 stainless		4
76	48.10.505V	Setscrew M5x5 stainless		4
77	48.14.105V	Pan screw M2x5 stainless		14
78	48.14.110V	Pan screw M2x10 stainless		6

*Recommended spare part

71.57.800

Print mechanism Dynacode 128-12, right

Pos	Ident-No.	Description1	Description2	Quantity
79	48.14.306V	Pan screw M3x6 stainless		3
80	48.15.002V	Pan screw M4x10 stainless		1
81	48.15.003V	Countersunk screw M3x6 stainless		11
82	48.15.210V	Pan screw M2.5x10 stainless		1
83	48.15.304V	Countersunk screw M3x4 stainless		2
84	48.15.308V	Countersunk screw M3x8 stainless		4
85	48.15.312V	Countersunk screw M3x12 stainless		1
86	48.16.006V	Socket cap screw M5x12		21
87	48.16.306V	Socket cap screw M3x6 stainless		21
88	48.16.312V	Socket cap screw M3x12 stainless		17
89	48.16.316V	Socket cap screw M3x16 stainless		6
90	48.16.410V	Socket cap screw M4x10 stainless		16
91	48.16.412V	Socket cap screw M4x12 stainless		12
92	48.16.416V	Socket cap screw M4x16 stainless		4
93	48.16.430V	Socket cap screw M4x30 stainless		1
94	48.16.460V	Socket cap screw M4x60 stainless		4
95	48.18.010	Spring pressure piece		2
96	48.19.306V	Socket cap screw M3x6 stainless		2
97	48.19.410V	Socket cap screw M4x10 stainless		2
98	48.19.612V	Socket cap screw M6x12 stainless		3
99	48.20.408V	Socket cap screw M4x8 stainless		5
100	48.57.001	Screw	Dynacode	1
101	48.57.005	Screw	Dynacode/LPM II	2
102	50.01.057V	Washer 3.2 stainless		2
103	50.01.065V	Lock washer 4.3 stainless		7
104*	52.57.002	Spring, right	Dynacode	1

*Recommended spare part

71.57.800

Print mechanism Dynacode 128-12, right

Pos	Ident-No.	Description1	Description2	Quantity
105*	52.57.006	Spring, left	Dynacode	1
106*	52.57.017	Tension spring	Dynacode	1
107*	52.57.020	Tension spring	Dynacode/Flexicode	2
108	52.57.025	Compression spring	Dynacode	4
109	52.57.110	Spring sheet	Dynacode 107/Dynacode 128	8
110*	57.01.008	Grooved ball bearing		1
111	57.02.001	Bearing bush 06x08x06		1
112	57.02.210	Sintered bronze flanged bushing		1
113*	57.57.075	Slide mounting	Dynacode 107/Dynacode 128	2
114	59.57.005	Toothed belt wheel	Dynacode/Flexicode	1
115	59.57.015	Toothed belt wheel	Dynacode	1
116	59.57.020	Toothed belt wheel	Dynacode	1
117*	59.57.218	Toothed belt	Dynacode	1
118*	59.57.339	Toothed belt	Dynacode	1
119	67.57.005	Cover, behind	Dynacode	1
120	67.57.015	Connecting plate	Dynacode	1
121	67.57.030	INTERMEDIATE PLATE		1
122*	67.57.035	Keeper	Dynacode	1
123	67.57.045	Supporting plate	Dynacode	1
124	67.57.050	Sole plate for clutch	Dynacode	1
125	67.57.060	Washer	Dynacode	1
126	67.57.300	COVER PLATE		1
127	67.57.310	Cover on the side, right		1
128	67.57.315	Cover on the side, left		1
129*	70.57.015	Motor board	Dynacode	1
130	70.57.022	Circuit board	Dynacode	1

*Recommended spare part

71.57.800

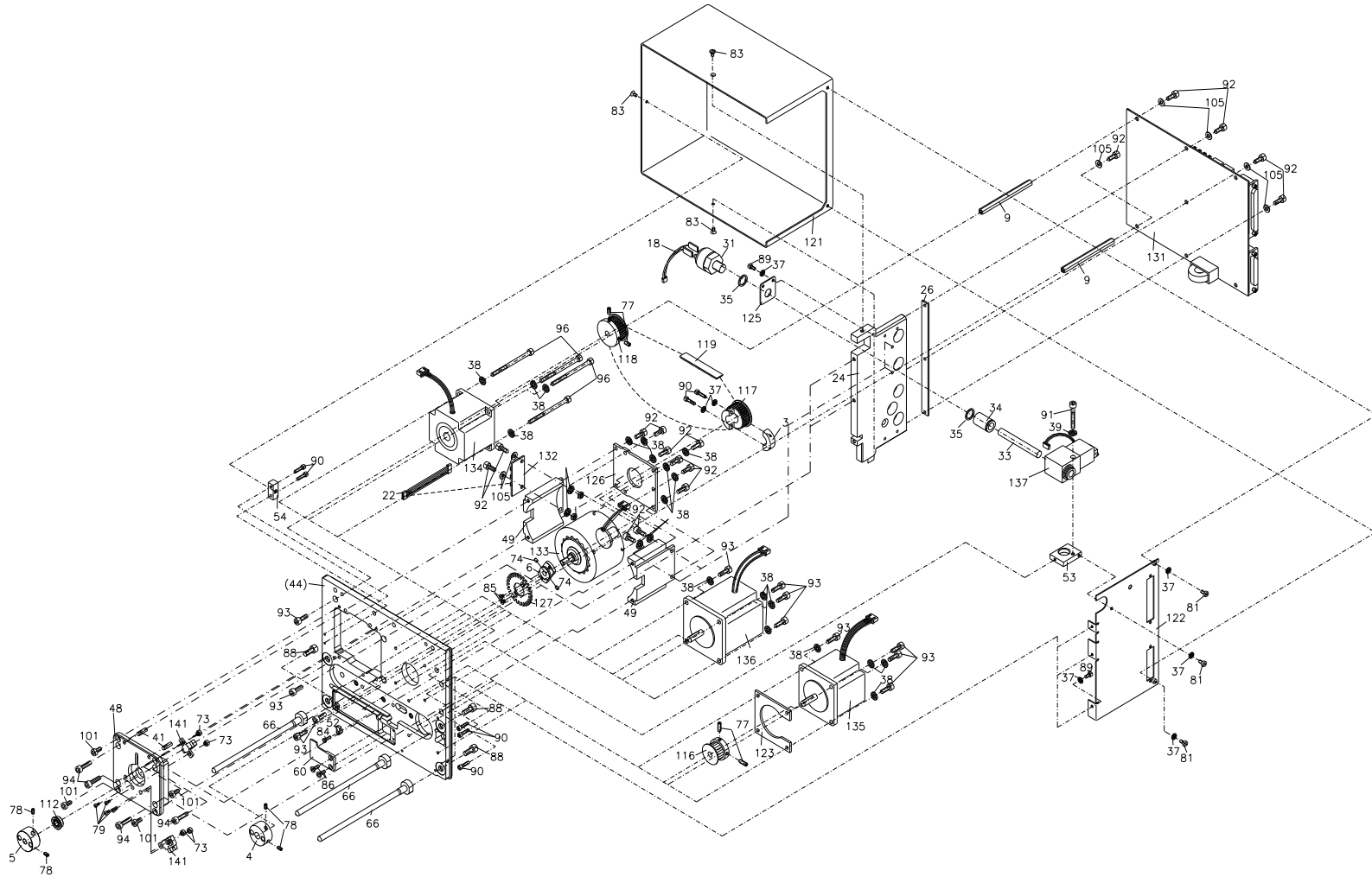
Print mechanism Dynacode 128-12, right

Pos	Ident-No.	Description1	Description2	Quantity
131	71.57.010	Clutch cpl	Dynacode	1
132	71.57.011	Serial stepper motor cpl	Dynacode	1
133	71.57.012	Parallel stepper motor cpl	Dynacode	1
134	71.57.013	Stepper motor ribbon rewiner	Dynacode	1
135*	71.57.020	Valve cpl	Dynacode	1
136	71.57.021	Cassette switch cpl	Dynacode 107/Dynacode 128	1
137*	71.57.023	Final position switch cpl	Dynacode	2
138	71.57.025	LED cpl	Dynacode	1
139	71.57.040	Photocell dual transmission encoder	Dynacode	2
140	72.57.001	Toothed belt wheel cpl	Dynacode/Flexicode	1
141*	72.57.025A	Centering bushing cpl	Dynacode	2
142*	72.57.300	Bogie wheel	Dynacode 128	1
143*	72.57.310	Return pulley	Dynacode 128	3
144	72.57.325	Ribbon rewinding/unwinding roller cpl	Dynacode 128	2
145	72.57.330	Printhead bracket cpl	Dynacode 128	1
146	72.57.335	Interlayer cpl, right	Dynacode 128, right	1
147	72.57.340	Pressure bracket cpl, right	Dynacode 128, right	1
148	72.57.345	Guiding roller cpl	Dynacode 128	1

*Recommended spare part

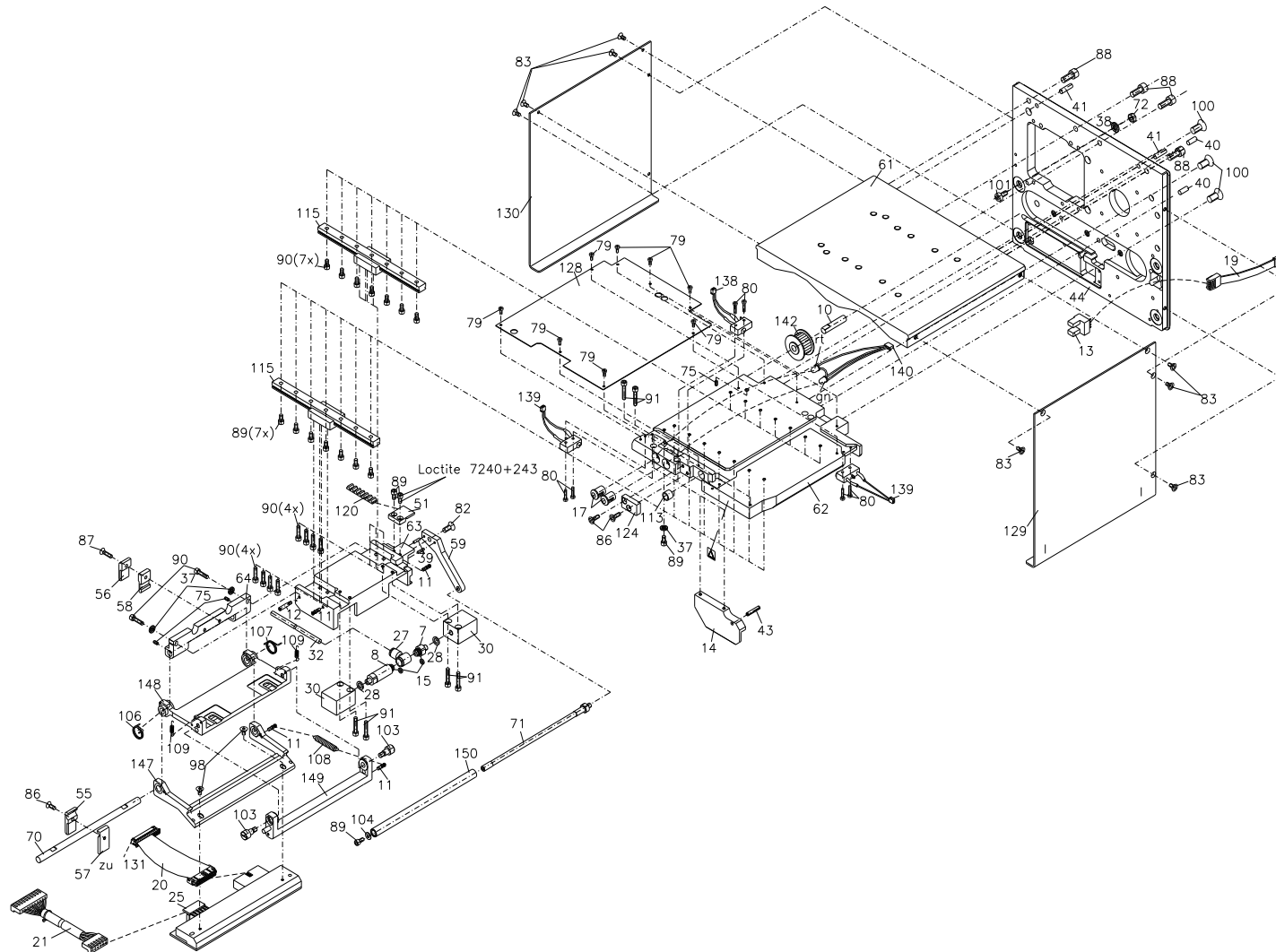
71.57.850

Print mechanism Dynacode 128-12, left



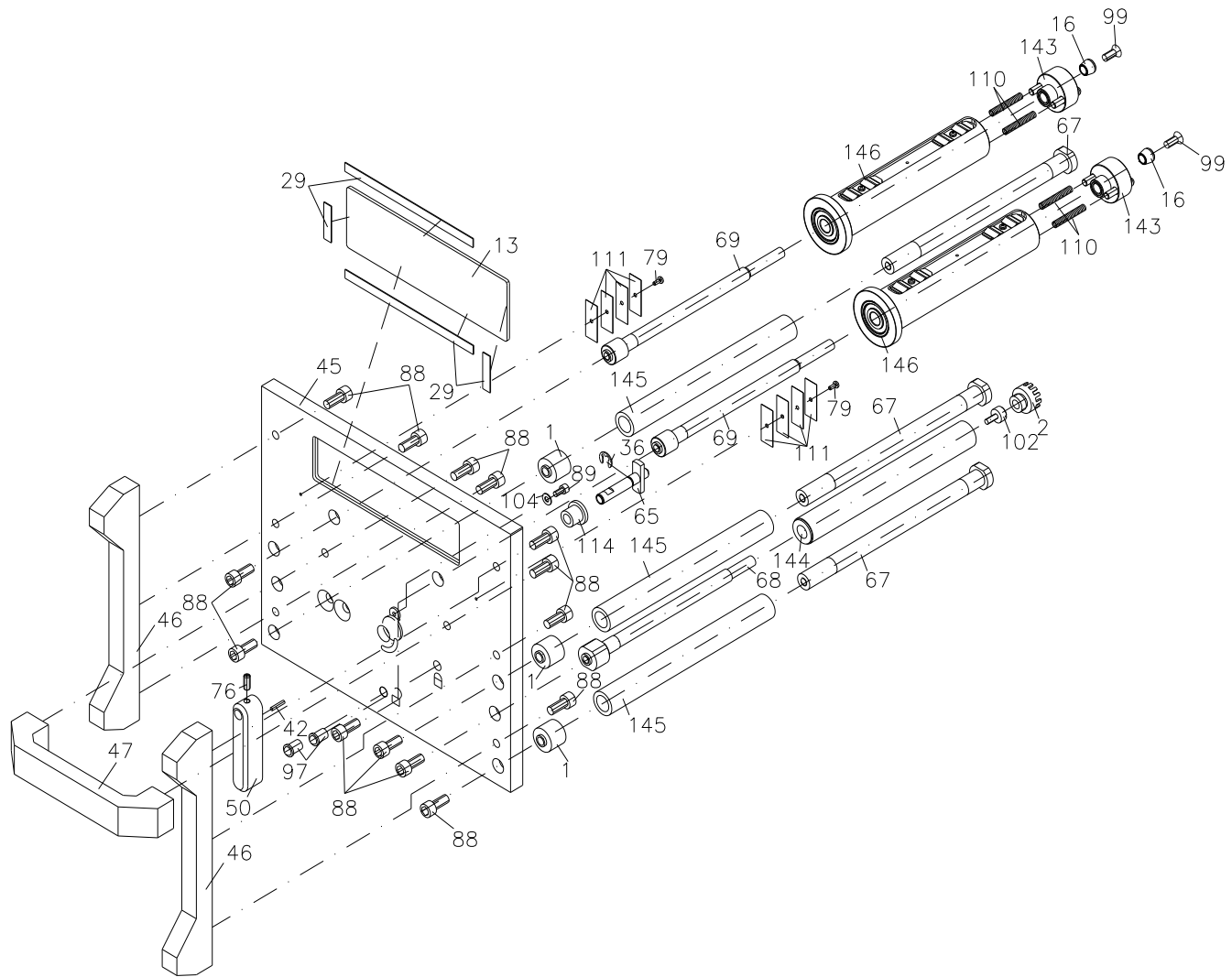
71.57.850

Print mechanism Dynacode 128-12, left



71.57.850

Print mechanism Dynacode 128-12, left



71.57.850

Print mechanism Dynacode 128-12, left

Pos	Ident-No.	Description1	Description2	Quantity
1	10.57.001	Bushing for centering bearing	Dynacode	3
2*	10.57.005	Spocket wheel	Dynacode	1
3	10.57.010	Clamping piece	Dynacode	1
4	10.57.017	Bushing for motor, large	Dynacode	1
5	10.57.023	Bushing for coupling	Dynacode	1
6	10.57.030	Bush bearing	Dynacode	1
7	10.57.201	SCREW-IN CONNECTION		1
8	10.57.301	SCREW-IN CONNECTION		1
9	12.40.480	DISTANCE BOLT M4 X 80		2
10	12.57.001	PIN		1
11	12.57.015	Spring pillar	Dynacode/Flexicode	4
12	12.57.020	Switching pin	Dynacode	1
13	16.57.001	Window	Dynacode	1
14	16.57.020	Limit stop	Dynacode, left	1
15*	18.01.011	RING 5x1		2
16*	18.57.025	Brake conus	Dynacode	2
17	27.03.010	LED holder 5 mm		2
18	28.57.024	Connecting cable pressure switch/motor plate	Dynacode	1
19	28.57.025	Connecting cable encoder/motor plate, left	Dynacode	1
20*	28.57.032	Printhead adapter	Dynacode	1
21*	28.57.033	Printhead cable, power supply	Dynacode	1
22	28.57.040	Connecting cable Dual-Reflection encoder	left, Dynacode	1
23	31.03.035	Photocell		1
24	31.57.005	Cooling element	Dynacode	1
25*	37.04.1280	Thermal printhead 128-12	Dynacode/Dynacode II	1
26	37.57.005	Silicon foil self-adhesive	in meters	0,01m

*Recommended spare part

71.57.850

Print mechanism Dynacode 128-12, left

Pos	Ident-No.	Description1	Description2	Quantity
27	37.57.201	SEAL RING		1
28	37.57.205	SEAL RING		2
29	37.57.400	Adhesive tape 6 mm		0,01
30*	37.67.001	Short-stroke cylinder	DPM III/Dynacode/Flexicode/DPM IV	2
31*	37.67.002	Switch	DPM III/Dynacode/Flexicode	1
32*	37.67.025	Pneumatic tube 4 mm	DPM III/Dynacode/APX, in meters	0,38m
33*	37.67.026	Pneumatic tube 8 mm	DPM III/Dynacode/Flexicode, in meters	0,04m
34	37.67.060	Screw joint connector inner thread 8 mm	DPM III/Dynacode	1
35*	37.67.075	Seal ring	DPM III/Dynacode/Flexicode	2
36	40.01.005V	Shaft protection 5 mm stainless		1
37	41.03.003V	Lock washer M3 stainless		10
38	41.03.004V	Lock washer M4 stainless		25
39	42.13.208V	Grooved pin 2 x 8 mm		2
40	42.13.410V	TAPER PIN 4x10 S2 DIN 1472		2
41	42.13.414V	Grooved pin 4 x 14 mm		4
42	42.14.210V	Pin 2 x 10 mm		1
43	43.06.316	Pin 3 x 16 mm		1
44	45.57.007	Carrier plate		1
45	45.57.010	Cassette plate	Dynacode	1
46	45.57.030	Strut	Dynacode	2
47	45.57.035	Handle	Dynacode	1
48	45.57.041	Carrier plate for coupling	Dynacode	1
49	45.57.042	Bearing for clutch	Dynacode	2
50	45.57.057	Closing lever	Dynacode	1
51	45.57.060	Clamping piece	Dynacode	1
52	45.57.075	Hose clamp	Dynacode	1

*Recommended spare part

71.57.850

Print mechanism Dynacode 128-12, left

Pos	Ident-No.	Description1	Description2	Quantity
53	45.57.085	BRACKET		1
54	45.57.090	Bracket for cover	Dynacode	1
55	45.57.250	Cable clip outside, for signal cable	Dynacode 107/Dynacode 128, left	1
56	45.57.252	Cable clip outside, for power cable	Dynacode 107/Dynacode 128	1
57	45.57.255	Cable clip inside, for signal cable	Dynacode 107/Dynacode 128, left	1
58	45.57.257	Cable clip inside, for power cable	Dynacode 107/Dynacode 128	1
59	45.57.270	Guiding plate, left	Dynacode 107/Dynacode 128, left	1
60	45.57.282	Cover	Dynacode 107/Dynacode 128, left	1
61	45.57.305	Cover plate	Dynacode 128	1
62	45.57.315	Sole plate		1
63	45.57.325	GUIDING CARRIAGE		1
64	45.57.345	ADJUSTING PART		1
65	46.57.001	Cross bar	Dynacode	1
66	46.57.300	Centering ledge	Dynacode 128	3
67	46.57.305	Centering bearing	Dynacode 128	3
68	46.57.315	Bearing pillar	Dynacode 128	1
69	46.57.320	Ribbon rewinding/unwinding pillar	Dynacode 128	2
70	46.57.330	Printhead shaft	Dynacode 128	1
71	46.57.340	Guiding pillar	Dynacode 128	1
72	47.05.001V	Hexagon nut M4 stainless		3
73	47.57.001	Nut M2	Dynacode	4
74	48.10.004V	Setscrew M3x4 stainless		2
75	48.10.005V	Setscrew M4x4 stainless		3
76	48.10.406V	Setscrew M4x6 stainless		1
77	48.10.408V	Setscrew M4x8 stainless		4
78	48.10.505V	Setscrew M5x5 stainless		4

*Recommended spare part

71.57.850

Print mechanism Dynacode 128-12, left

Pos	Ident-No.	Description1	Description2	Quantity
79	48.14.105V	Pan screw M2x5 stainless		14
80	48.14.110V	Pan screw M2x10 stainless		6
81	48.14.306V	Pan screw M3x6 stainless		3
82	48.15.002V	Pan screw M4x10 stainless		1
83	48.15.003V	Countersunk screw M3x6 stainless		11
84	48.15.210V	Pan screw M2.5x10 stainless		1
85	48.15.304V	Countersunk screw M3x4 stainless		2
86	48.15.308V	Countersunk screw M3x8 stainless		5
87	48.15.312V	Countersunk screw M3x12 stainless		1
88	48.16.006V	Socket cap screw M5x12		21
89	48.16.306V	Socket cap screw M3x6 stainless		21
90	48.16.312V	Socket cap screw M3x12 stainless		17
91	48.16.316V	Socket cap screw M3x16 stainless		6
92	48.16.410V	Socket cap screw M4x10 stainless		16
93	48.16.412V	Socket cap screw M4x12 stainless		12
94	48.16.416V	Socket cap screw M4x16 stainless		4
95	48.16.430V	Socket cap screw M4x30 stainless		1
96	48.16.460V	Socket cap screw M4x60 stainless		4
97	48.18.010	Spring pressure piece		2
98	48.19.306V	Socket cap screw M3x6 stainless		2
99	48.19.410V	Socket cap screw M4x10 stainless		2
100	48.19.612V	Socket cap screw M6x12 stainless		3
101	48.20.408V	Socket cap screw M4x8 stainless		5
102	48.57.001	Screw	Dynacode	1
103	48.57.005	Screw	Dynacode/LPM II	2
104	50.01.057V	Washer 3.2 stainless		2

*Recommended spare part

71.57.850

Print mechanism Dynacode 128-12, left

Pos	Ident-No.	Description1	Description2	Quantity
105	50.01.065V	Lock washer 4.3 stainless		7
106*	52.57.002	Spring, right	Dynacode	1
107*	52.57.006	Spring, left	Dynacode	1
108*	52.57.017	Tension spring	Dynacode	1
109*	52.57.020	Tension spring	Dynacode/Flexicode	2
110	52.57.025	Compression spring	Dynacode	4
111	52.57.110	Spring sheet	Dynacode 107/Dynacode 128	8
112*	57.01.008	Grooved ball bearing		1
113	57.02.001	Bearing bush 06x08x06		1
114	57.02.210	Sintered bronze flanged bushing		1
115*	57.57.075	Slide mounting	Dynacode 107/Dynacode 128	2
116	59.57.005	Toothed belt wheel	Dynacode/Flexicode	1
117	59.57.015	Toothed belt wheel	Dynacode	1
118	59.57.020	Toothed belt wheel	Dynacode	1
119*	59.57.218	Toothed belt	Dynacode	1
120*	59.57.339	Toothed belt	Dynacode	1
121	67.57.005	Cover, behind	Dynacode	1
122	67.57.015	Connecting plate	Dynacode	1
123	67.57.030	INTERMEDIATE PLATE		1
124*	67.57.035	Keeper	Dynacode	1
125	67.57.045	Supporting plate	Dynacode	1
126	67.57.050	Sole plate for clutch	Dynacode	1
127	67.57.060	Washer	Dynacode	1
128	67.57.305	COVER PLATE		1
129	67.57.310	Cover on the side, right		1
130	67.57.315	Cover on the side, left		1

*Recommended spare part

71.57.850

Print mechanism Dynacode 128-12, left

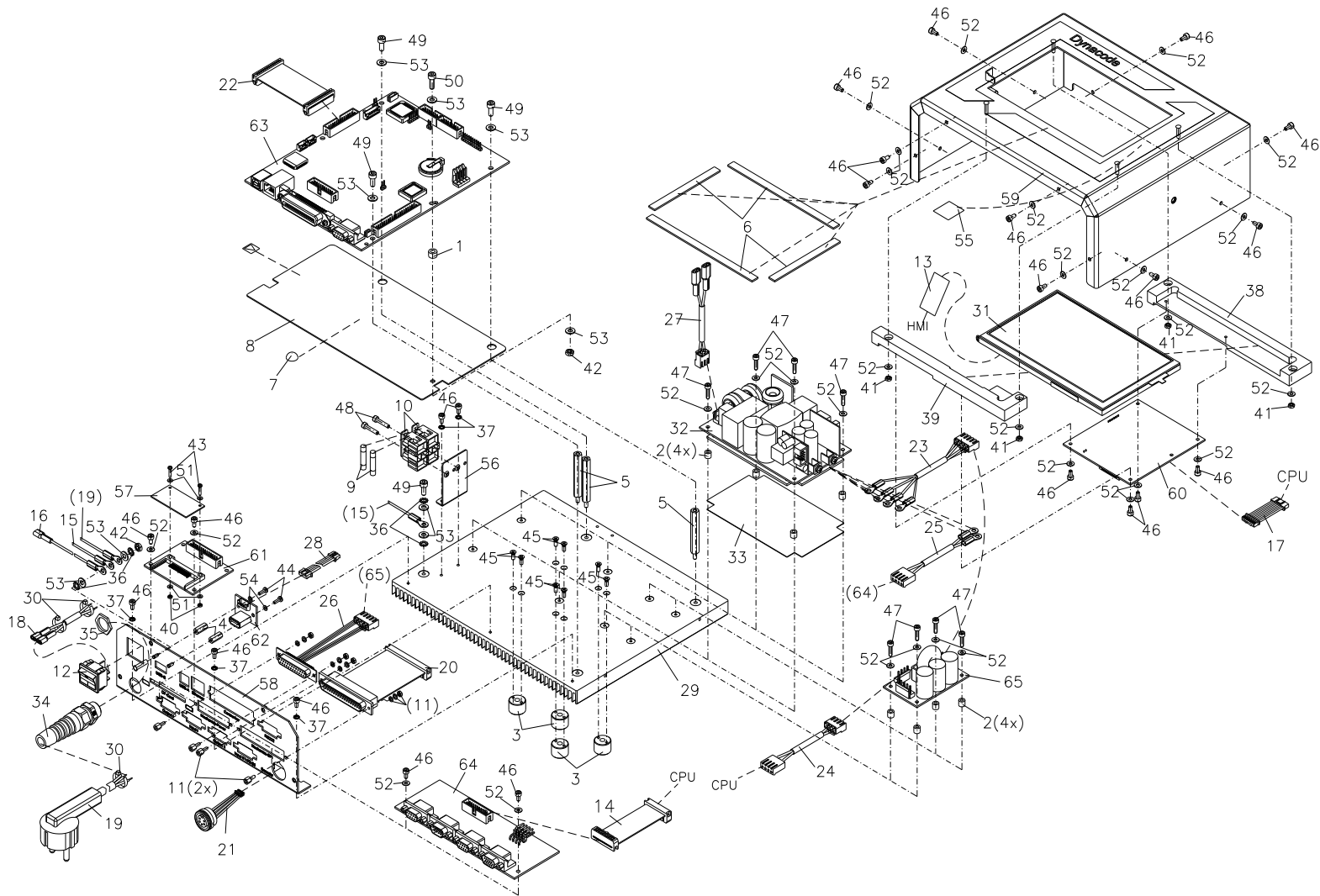
Pos	Ident-No.	Description1	Description2	Quantity
131*	70.57.015	Motor board	Dynacode	1
132	70.57.022	Circuit board	Dynacode	1
133	71.57.010	Clutch cpl	Dynacode	1
134	71.57.011	Serial stepper motor cpl	Dynacode	1
135	71.57.012	Parallel stepper motor cpl	Dynacode	1
136	71.57.013	Stepper motor ribbon rewiner	Dynacode	1
137*	71.57.020	Valve cpl	Dynacode	1
138	71.57.021	Cassette switch cpl	Dynacode 107/Dynacode 128	1
139*	71.57.023	Final position switch cpl	Dynacode	2
140	71.57.025	LED cpl	Dynacode	1
141	71.57.040	Photocell dual transmission encoder	Dynacode	2
142	72.57.001	Toothed belt wheel cpl	Dynacode/Flexicode	1
143*	72.57.025A	Centering bushing cpl	Dynacode	2
144*	72.57.300	Bogie wheel	Dynacode 128	1
145*	72.57.310	Return pulley	Dynacode 128	3
146	72.57.325	Ribbon rewinding/unwinding roller cpl	Dynacode 128	2
147	72.57.330	Printhead bracket cpl	Dynacode 128	1
148	72.57.337	Interlayer cpl, left	Dynacode 128, left	1
149	72.57.342	Pressure bracket cpl, left	Dynacode 128, left	1
150	72.57.345	Guiding roller cpl	Dynacode 128	1

*Recommended spare part

71.57.920

Control unit Dynacode II

BM



71.57.920

Control unit Dynacode II

BM

Pos	Ident-No.	Description1	Description2	Quantity
1	10.41.008	Spacer sleeve 8x4.2x5mm		1
2	10.57.035	Spacer bushing	Dynacode II	8
3	10.57.040	Bushing	Dynacode II	4
4	12.40.213	DISTANCE BOLT		2
5	12.40.446	DISTANCE BOLT		3
6	16.01.004	Sealing device 9x3	DPM III/DPM IV, in meters	0,53m
7	16.01.014	Elastic bumper self-adhesive black 11.1x5.0		1
8	16.57.092	Insulation plate	Dynacode II	1
9*	24.02.004	Fine-wire fuse 2.0 A 5x20		2
10	24.03.005	Fuse holder with connector block		2
11	25.04.100	SUB-D fixing set		2
12	26.01.033	Power switch	SPX II/Dynacode II	1
13	28.06.550	FFC cable 50 mm		1
14*	28.15.011	Connecting cable CPU-power supply 250 mm	Desco/DPM II/Spectra 216/Pica II/Dynacode	1
15	28.30.085	Protective conductor 5	DPM	1
16	28.30.086	Grounded conductor 6	SPX/VITA/Flexicode/Dynacode/SPE II	1
17	28.48.035A	Connecting cable, control unit/CPU SH3	Vita II/Compa II/SPX II/Vario III/DC II/SPE II	1
18	28.57.0052	POWER LINE		1
19	28.57.0053	Power cable	Dynacode II	1
20	28.57.010	Connecting cable, data signals back panel/CPU	Dynacode	1
21	28.57.012	Connecting cable, encoder back panel/CPU	Dynacode	1
22	28.57.0161	Connecting cable, CF/CPU	Dynacode II	1
23	28.57.060	Connecting cable power supply/48 V power filter		1
24	28.57.061	Connecting cable 48 V-power filter/CPU		1
25	28.57.062	Connecting cable power supply-I/O		1
26	28.57.063	Connecting cable voltage back panel/CPU		1

*Recommended spare part

71.57.920

Control unit Dynacode II

BM

Pos	Ident-No.	Description1	Description2	Quantity
27	28.57.064	Connecting cable, power supply-switch	Dynacode II	1
28	28.79.025	Connecting cable USB-CPU	Flexicode/Dynacode II/SPE II	1
29	31.57.010	Cooling element	Control unit Touch, Dynacode	1
30	35.01.002	Cable joint 100x2.5 mm		3
31*	37.03.015	Graphic module 7" 800x480 mm with touch	Vario III/Dynacode II/DPM IV/LPM II/SPE II	1
32*	37.57.002	Power supply		1
33	37.57.025	HEAT CONDUCTANCE PAD		0,5
34	37.57.923	Pull relief		1
35	37.57.927	Locknut PG 9		1
36	41.02.002V	Fan shaped washer M4 stainless		4
37	41.03.003V	Lock washer M3 stainless		5
38	45.57.091	Display ledge, above	Dynacode II	1
39	45.57.092	Display ledge, below	Dynacode II	1
40	47.01.001	Hexagon nut M2		2
41	47.04.001V	Hexagon nut M3 stainless		4
42	47.05.001V	Hexagon nut M4 stainless		2
43	48.14.110V	Pan screw M2x10 stainless		2
44	48.14.208V	Pan screw M2.5x8 stainless		2
45	48.15.308V	Countersunk screw M3x8 stainless		8
46	48.16.306V	Socket cap screw M3x6 stainless		23
47	48.16.312V	Socket cap screw M3x12 stainless		8
48	48.16.316V	Socket cap screw M3x16 stainless		2
49	48.16.410V	Socket cap screw M4x10 stainless		4
50	48.16.412V	Socket cap screw M4x12 stainless		1
51	50.01.009V	Lock washer M2 stainless		4
52	50.01.057V	Washer 3.2 stainless		30

*Recommended spare part

71.57.920

Control unit Dynacode II

BM

Pos	Ident-No.	Description1	Description2	Quantity
53	50.01.065V	Lock washer 4.3 stainless		9
54	50.01.069V	Lock washer M2.7 stainless		2
55	55.56.001	LICENCE LABEL HMI		1
56	67.57.061	Angular stay		1
57	67.57.062	CF card cover	Dynacode II/DPM IV/ILX 10X/SPE II	1
58	67.57.065	Connecting plate		1
59	67.57.067	Cover	Dynacode II	1
60*	70.03.501	CPU HMI Touch Panel III cpl	Vario III/Dynacode II/LPM II/DPM IV/SPE II	1
61	70.39.040	CF interface cpl		1
62	70.39.065	Adapter plate USB type A cpl, vertical	Vario III/Dynacode II/Spectra II	1
63*	70.57.002	CPU	Dynacode	1
64*	70.57.011	Dispensing I/O 24 V	Dynacode	1
65	70.57.040	48V-PWR-FILTER		1

*Recommended spare part

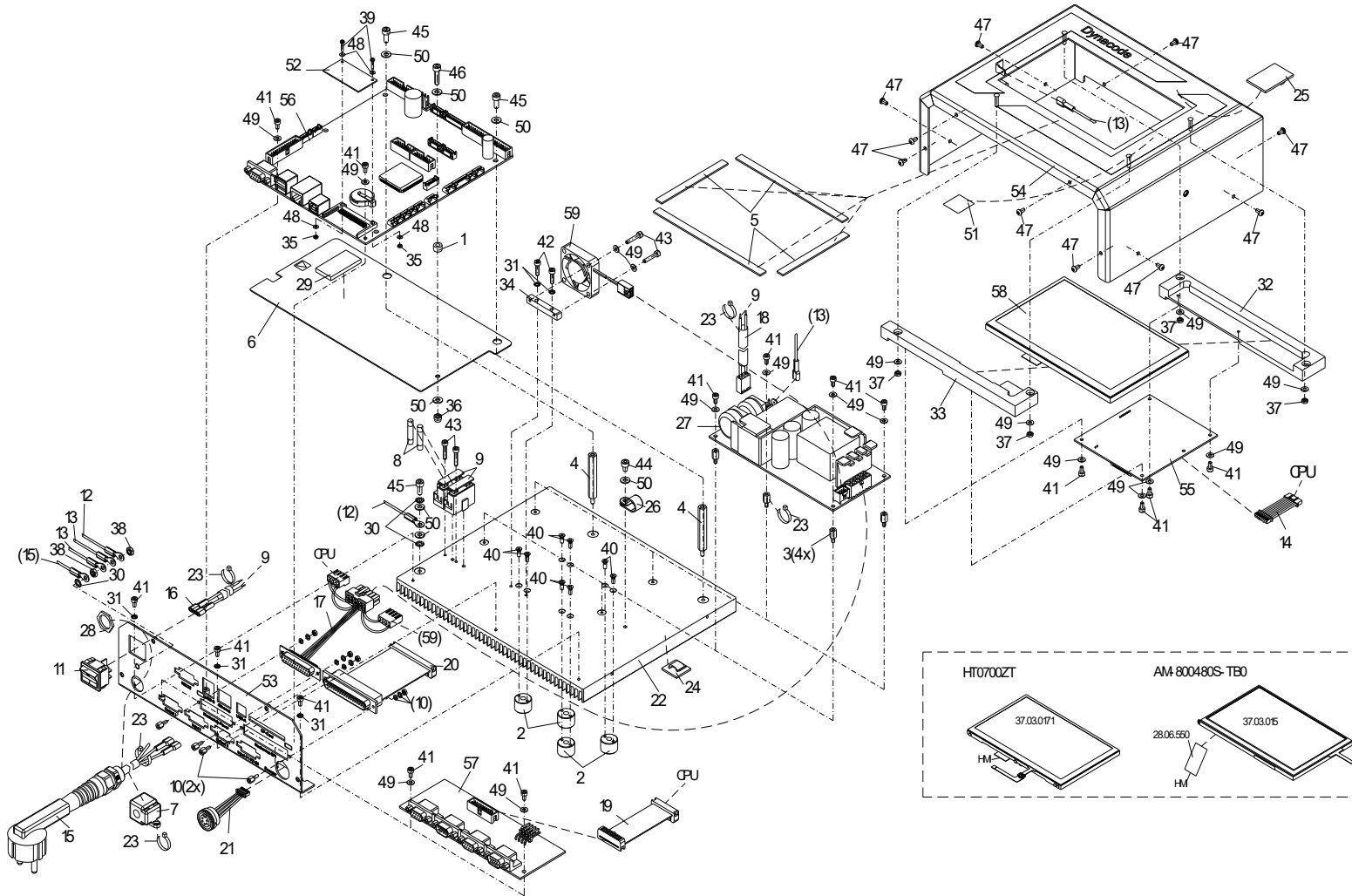
Modifications and errors excepted

Dynacode II: 11.2025

59 / 81

71.57.920A

Control unit Dynacode II
with CF card slot, I/O



71.57.920A

Control unit Dynacode II
with CF card slot, I/O

Pos	Ident-No.	Description1	Description2	Quantity
1	10.41.008	Spacer sleeve 8x4.2x5mm		1
2	10.57.040	Bushing	Dynacode II	4
3	12.40.308	Distance bolt M3x8		4
4	12.40.446	DISTANCE BOLT		2
5	16.01.004	Sealing device 9x3	DPM III/DPM IV, in meters	0,53m
6	16.57.092	Insulation plate	Dynacode II	1
7	22.74.005	Ferrite ring foldable	ILX/Dynacode/SPE II	1
8*	24.02.009	Fine-wire fuse 4.0 A 5x20		2
9	24.03.005	Fuse holder with connector block		2
10	25.04.100	SUB-D fixing set		2
11	26.01.033	Power switch	SPX II/Dynacode II	1
12	28.30.096	GROUNDED CONDUCTOR		1
13	28.30.099	GROUNDED CONDUCTOR		2
14	28.48.035A	Connecting cable, control unit/CPU SH3	Vita II/Compa II/SPX II/Vario III/DC II/SPE II	1
15	28.57.0054	Power cable	Dynacode II	1
16	28.57.0057	Power supply line, fuse holder-switch	Dynacode II	1
17	28.57.0631	Connecting cable voltage supply 48V	Dynacode II	1
18	28.57.065	Connecting cable, fuse holder-power supply	Dynacode II	1
19	28.57.066	Connecting cable I/O interface/CPU	Dynacode II	1
20	28.57.067	Connecting cable, data signals back panel/CPU	Dynacode II	1
21	28.57.068	Connecting cable encoder back panel/CPU	Dynacode II	1
22	31.57.010	Cooling element	Control unit Touch, Dynacode	1
23	35.01.002	Cable joint 100x2.5 mm		5
24	35.01.010	Cord clip 5 mm		1
25	35.01.011	Cord-Clip 8 mm		1
26	35.01.0226	Nylon bracket 9.6-11 mm		1

*Recommended spare part

71.57.920A

Control unit Dynacode II
with CF card slot, I/O

Pos	Ident-No.	Description1	Description2	Quantity
27*	37.57.003	Power supply	Dynacode II/DPM IV/ALP/SPE II	1
28	37.57.927	Locknut PG 9		1
29	37.88.010	Rubber-sponge		0,01
30	41.02.002V	Fan shaped washer M4 stainless		3
31	41.03.003V	Lock washer M3 stainless		5
32	45.57.091	Display ledge, above	Dynacode II	1
33	45.57.092	Display ledge, below	Dynacode II	1
34	45.57.094	Bracket for fan	Dynacode II/SPE II	1
35	47.01.001	Hexagon nut M2		2
36	47.03.004V	Hexagon nut M4 stainless		1
37	47.04.001V	Hexagon nut M3 stainless		4
38	47.05.001V	Hexagon nut M4 stainless		2
39	48.14.110V	Pan screw M2x10 stainless		2
40	48.15.308V	Countersunk screw M3x8 stainless		8
41	48.16.306V	Socket cap screw M3x6 stainless		15
42	48.16.312V	Socket cap screw M3x12 stainless		2
43	48.16.316V	Socket cap screw M3x16 stainless		4
44	48.16.406V	Socket cap screw M4x6 stainless		1
45	48.16.410V	Socket cap screw M4x10 stainless		3
46	48.16.416V	Socket cap screw M4x16 stainless		1
47	48.24.306V	Pan screw M3x6 stainless		10
48	50.01.009V	Lock washer M2 stainless		4
49	50.01.057V	Washer 3.2 stainless		18
50	50.01.065V	Lock washer 4.3 stainless		7
51	55.56.001	LICENCE LABEL HMI		1
52	67.57.062	CF card cover	Dynacode II/DPM IV/ILX 10X/SPE II	1

*Recommended spare part

71.57.920A

Control unit Dynacode II
with CF card slot, I/O

Pos	Ident-No.	Description1	Description2	Quantity
53	67.57.065A	Connecting plate, control unit		1
54	67.57.067	Cover	Dynacode II	1
55*	70.03.501	CPU HMI Touch Panel III cpl	Vario III/Dynacode II/LPM II/DPM IV/SPE II	1
56*	70.57.006	CPU	Dynacode II	1
57*	70.57.011	Dispensing I/O 24 V	Dynacode	1
58*	71.39.012	Graphic module 7" with touch	Dynacode/DPM IV/SPE II/Vario III	1
59	71.57.007	Fan cpl	Dynacode II/DPM IV/SPE II	1

*Recommended spare part

72.57.990

Connecting parts pneumatic/electronics

Dynacode

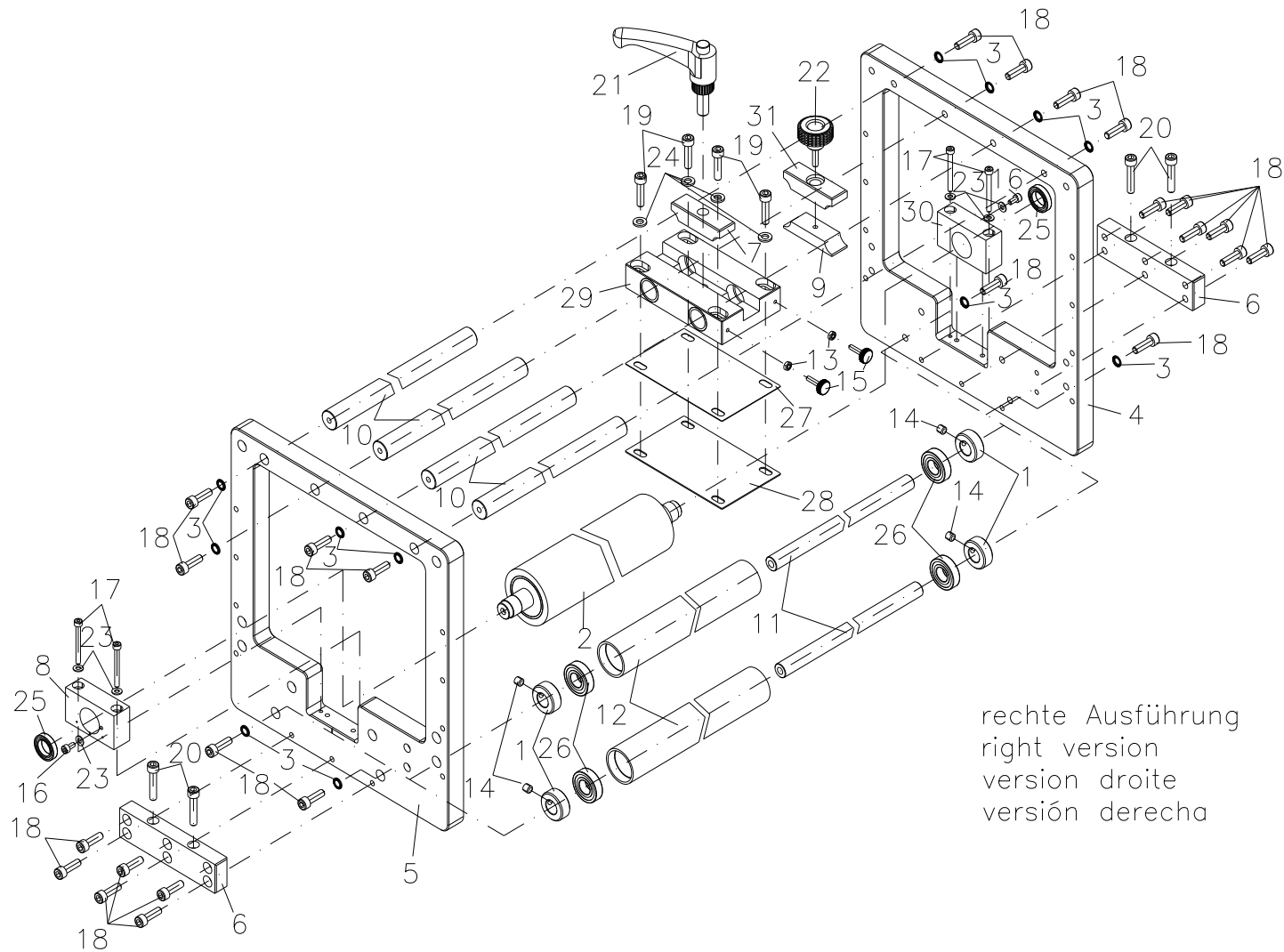
Pos	Ident-No.	Description1	Description2	Quantity
1	24.01.012	Power cable 2 m		1
2	28.57.0013	Connecting cable, data signals 37-pin 2.5 m		1
3	28.67.0013	Connecting cable printhead/motors 25-pin 2.5 m		1
4	37.67.015	Miniature controller	DPM III/DPM IV/Dynacode/Flexicode	1
5	37.67.020	Manometer	DPM III/DPM IV/Dynacode/Flexicode	1
6*	37.67.026	Pneumatic tube 8 mm	DPM III/Dynacode/Flexicode, in meters	1,00m
7	37.67.035	Screw joint connector 8 mm	DPM III/DPM IV/Dynacode/Flexicode/APL/APX	2

*Recommended spare part

72.57.995A

Mounting frame continous

Dynacode/Flexicode

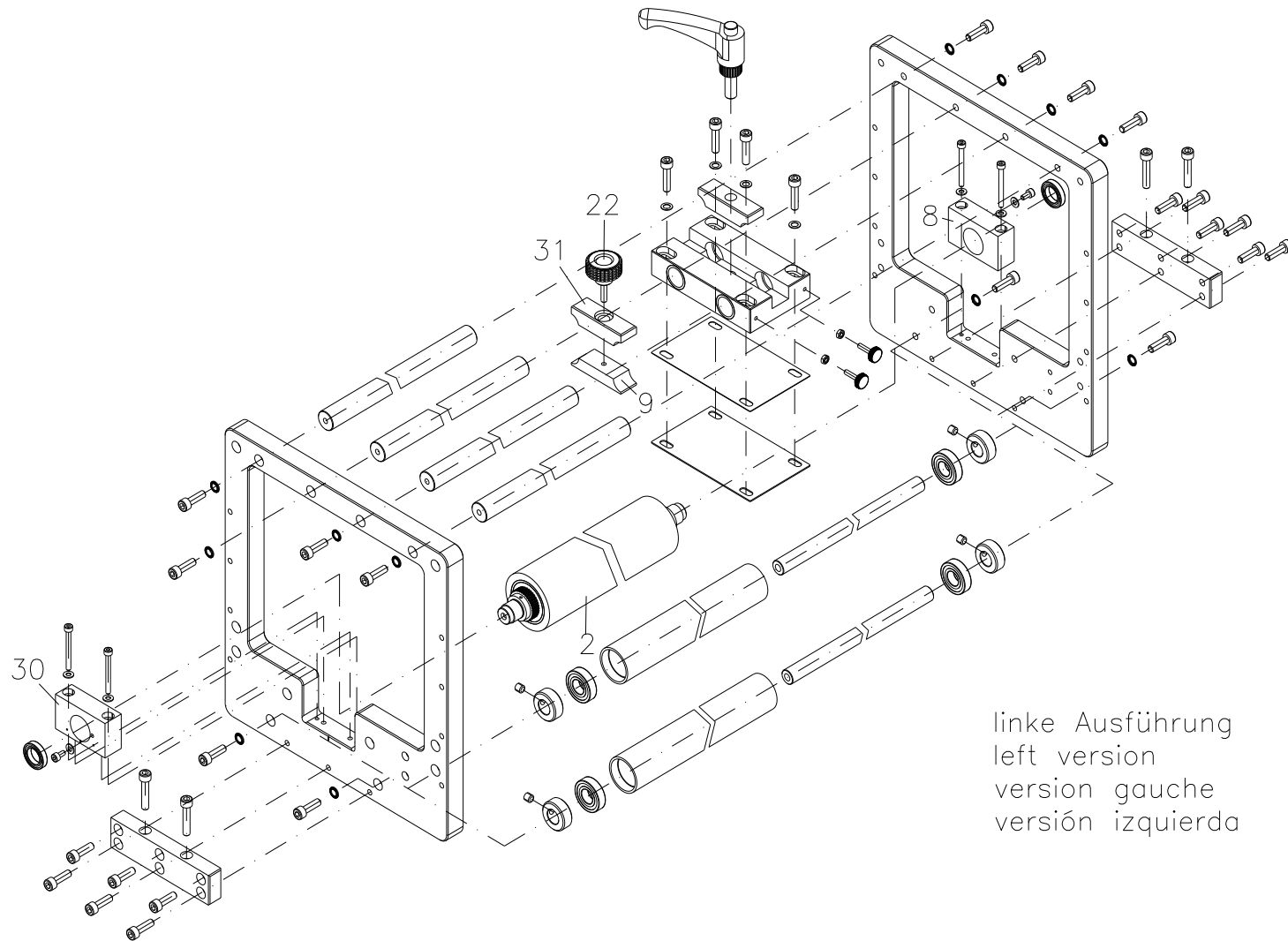


rechte Ausführung
right version
version droite
versión derecha

72.57.995A

Mounting frame continous

Dynacode/Flexicode



linke Ausführung
left version
version gauche
versión izquierda

72.57.995A

Mounting frame continous

Dynacode/Flexicode

Pos	Ident-No.	Description1	Description2	Quantity
1	10.57.401	Adjusting ring for mounting frame	Dynacode/Flexicode	4
2	18.67.014	Pressure roller cpl 340 mm	Dynacode/Flexicode	1
	18.67.015	Pressure roller cpl 250 mm	Dynacode/Flexicode	1
	18.67.017	Pressure roller cpl 430 mm	Dynacode/Flexicode	1
	18.67.018	Pressure roller cpl 620 mm	Dynacode/Flexicode	1
	18.67.019	Pressure roller cpl 470 mm	Dynacode/Flexicode	1
	18.67.020	Pressure roller cpl 770 mm	Dynacode/Flexicode	1
3	41.03.006V	Lock washer M6 stainless		12
4	45.57.410	Main plate, right, for mounting frame	Dynacode/Flexicode	1
5	45.57.415	Main plate, left, for mounting frame	Dynacode/Flexicode	1
6	45.57.425	Connecting part	Dynacode/Flexicode	2
7	45.67.580	Clamping piece above, for mounting frame	Dynacode/Flexicode	1
8	45.67.585	Bearing for pressure roller mounting frame	Dynacode/Flexicode	1
9	45.67.590	Clamping piece below, for mounting frame	Dynacode/Flexicode	1
10	46.57.420	Guide shaft above, 250 mm mounting frame	Dynacode/Flexicode	4
	46.57.421	Guide shaft above, 340 mm mounting frame	Dynacode/Flexicode	4
	46.57.422	Guide shaft above, 430 mm mounting frame	Dynacode/Flexicode	4
	46.57.424	Guide shaft above, 470 mm mounting frame	Dynacode/Flexicode	4
	46.57.426	Guide shaft above, 620 mm mounting frame	Dynacode/Flexicode	4
	46.57.428	Guide shaft above, 770 mm mounting frame	Dynacode/Flexicode	4
11	46.57.430	Shaft for bogie wheel 250 mm mounting frame	Dynacode/Flexicode	2
	46.57.431	Shaft for bogie wheel 340 mm mounting frame	Dynacode/Flexicode	2
	46.57.432	Shaft for bogie wheel 430 mm mounting frame	Dynacode/Flexicode	2
	46.57.434	Shaft for bogie wheel 470 mm mounting frame	Dynacode/Flexicode	2
	46.57.436	Shaft for bogie wheel 620 mm mounting frame	Dynacode/Flexicode	2
	46.57.438	Shaft for bogie wheel 770 mm mounting frame	Dynacode/Flexicode	2

*Recommended spare part

72.57.995A

Mounting frame continous

Dynacode/Flexicode

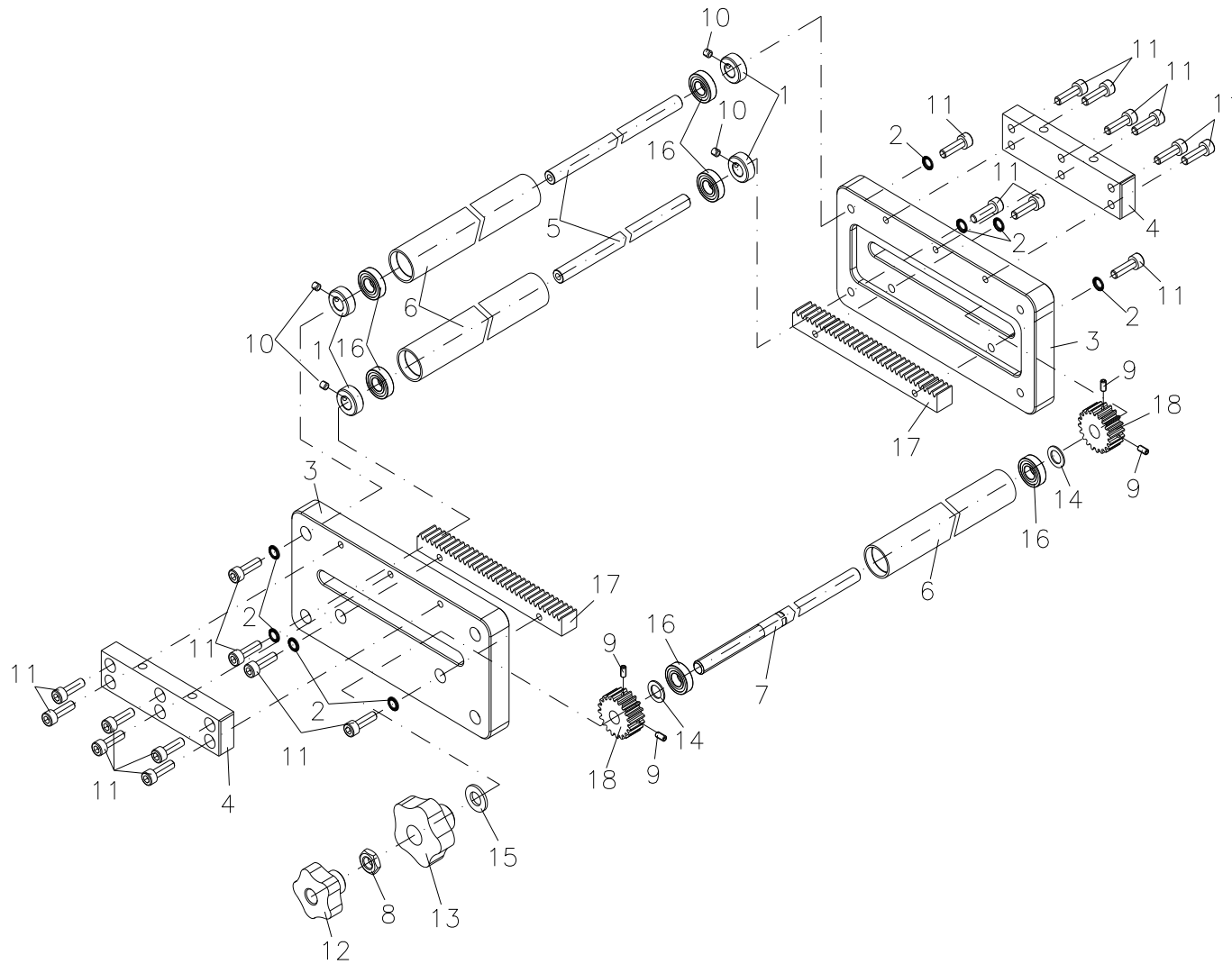
Pos	Ident-No.	Description1	Description2	Quantity
12	46.57.440	Bogie wheel 250 mm mounting frame/repeat	Dynacode/Flexicode	2
	46.57.441	Bogie wheel 340 mm mounting frame/repeat	Dynacode/Flexicode	2
	46.57.442	Bogie wheel 430 mm mounting frame/repeat	Dynacode/Flexicode	2
	46.57.444	Bogie wheel 470 mm mounting frame/repeat	Dynacode/Flexicode	2
	46.57.446	Bogie wheel 620 mm mounting frame/repeat	Dynacode/Flexicode	2
	46.57.448	Bogie wheel 770 mm mounting frame/repeat	Dynacode/Flexicode	2
13	47.05.001V	Hexagon nut M4 stainless		2
14	48.10.505V	Setscrew M5x5 stainless		4
15	48.16.016	Socket cap screw M4x25		2
16	48.16.408V	Socket cap screw M4x8 stainless		2
17	48.16.440V	Socket cap screw M4x40 stainless		4
18	48.16.620V	Socket cap screw M6x20 stainless		24
19	48.16.625V	Socket cap screw M6x25 stainless		4
20	48.16.630V	Socket cap screw M6x30 stainless		4
21	48.17.030	Clamping lever		1
22	48.70.001	Handle		1
23	50.01.065V	Lock washer 4.3 stainless		6
24	50.01.066V	Lock washer 6.4 stainless		4
25*	57.01.025	Grooved ball bearing		2
26*	57.01.027	Grooved ball bearing		4
27	67.57.405	Intermediate plate 0.5 mm	Dynacode/Flexicode	1
28	67.57.410	Intermediate plate 1.0 mm	Dynacode/Flexicode	1
29	72.67.505	Connection part cpl for mounting frame	Dynacode/Flexicode	1
30	72.67.585	Bearing cpl for pressure roller	Dynacode/Flexicode	1
31	72.67.590	Clamping piece above for mounting frame	Dynacode/Flexicode	1

*Recommended spare part

72.57.996A

Repeat setting

Dynacode/Flexicode



72.57.996A

Repeat setting

Dynacode/Flexicode

Pos	Ident-No.	Description1	Description2	Quantity
1	10.57.401	Adjusting ring for mounting frame	Dynacode/Flexicode	4
2	41.03.006V	Lock washer M6 stainless		8
3	45.57.420	Main plate	Dynacode/Flexicode	2
4	45.57.425	Connecting part	Dynacode/Flexicode	2
5	46.57.430	Shaft for bogie wheel 250 mm mounting frame	Dynacode/Flexicode	2
	46.57.431	Shaft for bogie wheel 340 mm mounting frame	Dynacode/Flexicode	2
	46.57.432	Shaft for bogie wheel 430 mm mounting frame	Dynacode/Flexicode	2
	46.57.434	Shaft for bogie wheel 470 mm mounting frame	Dynacode/Flexicode	2
	46.57.436	Shaft for bogie wheel 620 mm mounting frame	Dynacode/Flexicode	2
	46.57.438	Shaft for bogie wheel 770 mm mounting frame	Dynacode/Flexicode	2
6	46.57.440	Bogie wheel 250 mm mounting frame/repeat	Dynacode/Flexicode	3
	46.57.441	Bogie wheel 340 mm mounting frame/repeat	Dynacode/Flexicode	3
	46.57.442	Bogie wheel 430 mm mounting frame/repeat	Dynacode/Flexicode	3
	46.57.444	Bogie wheel 470 mm mounting frame/repeat	Dynacode/Flexicode	3
	46.57.446	Bogie wheel 620 mm mounting frame/repeat	Dynacode/Flexicode	3
	46.57.448	Bogie wheel 770 mm mounting frame/repeat	Dynacode/Flexicode	3
7	46.57.450	Guide shaft repeat setting 250 mm	Dynacode/Flexicode	1
	46.57.451	Guide shaft repeat setting 340 mm	Dynacode/Flexicode	1
	46.57.452	Guide shaft repeat setting 430 mm	Dynacode/Flexicode	1
	46.57.454	Guide shaft repeat setting 470 mm	Dynacode/Flexicode	1
	46.57.456	Guide shaft repeat setting 620 mm	Dynacode/Flexicode	1
	46.57.458	Guide shaft repeat setting 770 mm	Dynacode/Flexicode	1
8	47.09.001V	Hexagon nut M10 stainless		1
9	48.10.408V	Setscrew M4x8 stainless		4
10	48.10.505V	Setscrew M5x5 stainless		4
11	48.16.620V	Socket cap screw M6x20 stainless		20

*Recommended spare part

72.57.996A

Repeat setting

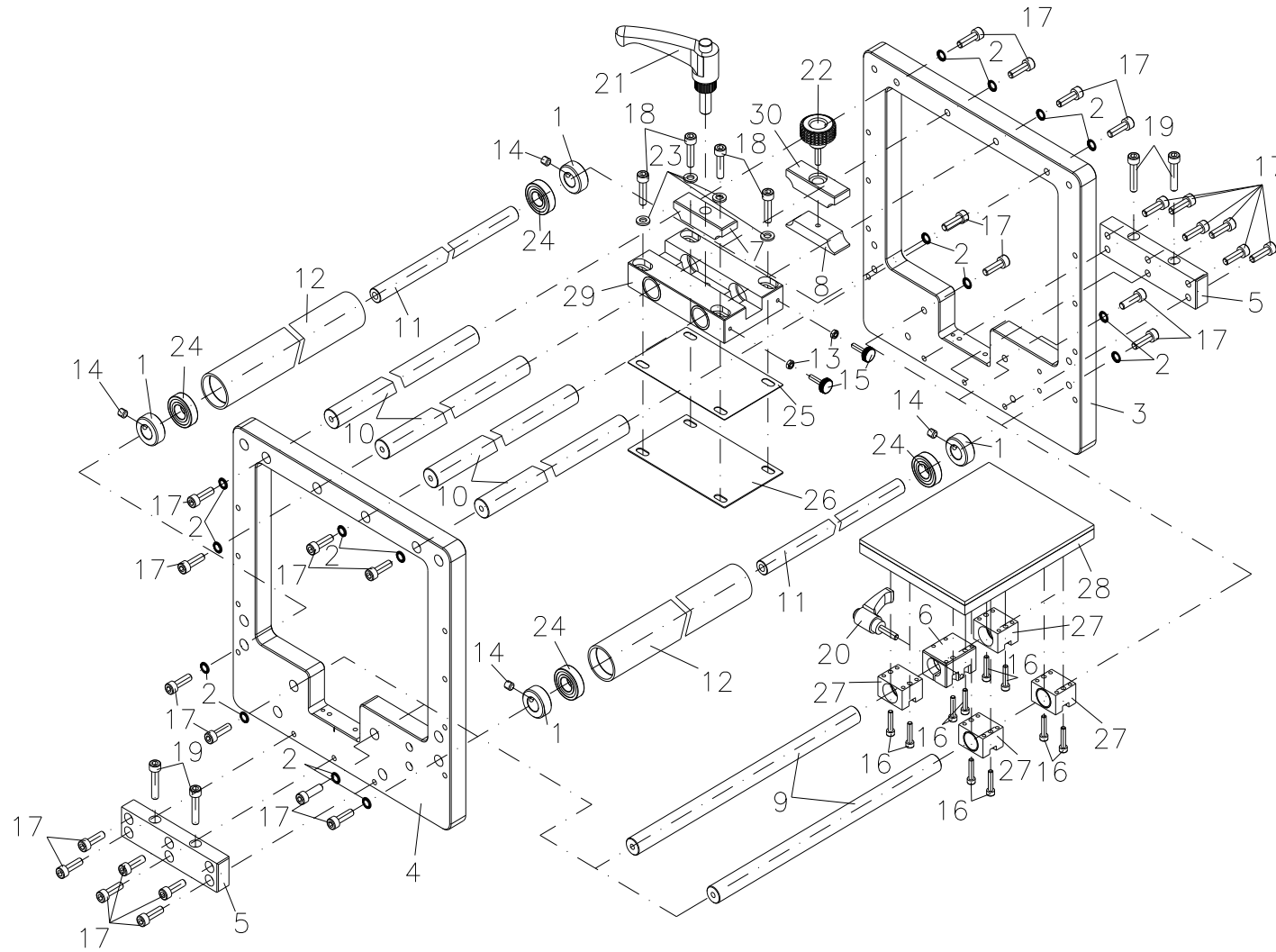
Dynacode/Flexicode

Pos	Ident-No.	Description1	Description2	Quantity
12	48.57.020	STAR KNOB		1
13	48.57.025	STAR KNOB		1
14	50.01.011	Washer 10x16x1.0		2
15	50.01.080V	Pan screw 10.5 stainless		1
16*	57.01.027	Grooved ball bearing		6
17	59.57.401	Cogged bar	Dynacode/Flexicode	2
18	59.67.605	Gear wheel for repeat setting		2

*Recommended spare part

72.57.998A

Mounting frame intermittent Dynacode/Flexicode



72.57.998A

Mounting frame intermittent

Dynacode/Flexicode

Pos	Ident-No.	Description1	Description2	Quantity
1	10.57.401	Adjusting ring for mounting frame	Dynacode/Flexicode	4
2	41.03.006V	Lock washer M6 stainless		16
3	45.57.410	Main plate, right, for mounting frame	Dynacode/Flexicode	1
4	45.57.415	Main plate, left, for mounting frame	Dynacode/Flexicode	1
5	45.57.425	Connecting part	Dynacode/Flexicode	2
6	45.67.301	Clamping piece for counter-pressure plate	DPM III/DPM IV/Dynacode	1
7	45.67.580	Clamping piece above, for mounting frame	Dynacode/Flexicode	1
8	45.67.590	Clamping piece below, for mounting frame	Dynacode/Flexicode	1
9	46.57.410	Guide shaft, passage width 250 mm, Dynacode	for mounting frame with counter-pressure plate	2
	46.57.411	Guide shaft, passage width 340 mm, Dynacode	for mounting frame with counter-pressure plate	2
	46.57.412	Guide shaft, passage width 430 mm, Dynacode	for mounting frame with counter-pressure plate	2
	46.57.414	Guide shaft, passage width 470 mm, Dynacode	for mounting frame with counter-pressure plate	2
	46.57.416	Guide shaft, passage width 620 mm, Dynacode	for mounting frame with counter-pressure plate	2
	46.57.418	Guide shaft, passage width 770 mm, Dynacode	for mounting frame with counter-pressure plate	2
10	46.57.420	Guide shaft above, 250 mm mounting frame	Dynacode/Flexicode	4
	46.57.421	Guide shaft above, 340 mm mounting frame	Dynacode/Flexicode	4
	46.57.422	Guide shaft above, 430 mm mounting frame	Dynacode/Flexicode	4
	46.57.424	Guide shaft above, 470 mm mounting frame	Dynacode/Flexicode	4
	46.57.426	Guide shaft above, 620 mm mounting frame	Dynacode/Flexicode	4
	46.57.428	Guide shaft above, 770 mm mounting frame	Dynacode/Flexicode	4
11	46.57.430	Shaft for bogie wheel 250 mm mounting frame	Dynacode/Flexicode	2
	46.57.431	Shaft for bogie wheel 340 mm mounting frame	Dynacode/Flexicode	2
	46.57.432	Shaft for bogie wheel 430 mm mounting frame	Dynacode/Flexicode	2
	46.57.434	Shaft for bogie wheel 470 mm mounting frame	Dynacode/Flexicode	2
	46.57.436	Shaft for bogie wheel 620 mm mounting frame	Dynacode/Flexicode	2
	46.57.438	Shaft for bogie wheel 770 mm mounting frame	Dynacode/Flexicode	2

*Recommended spare part

72.57.998A

Mounting frame intermittent

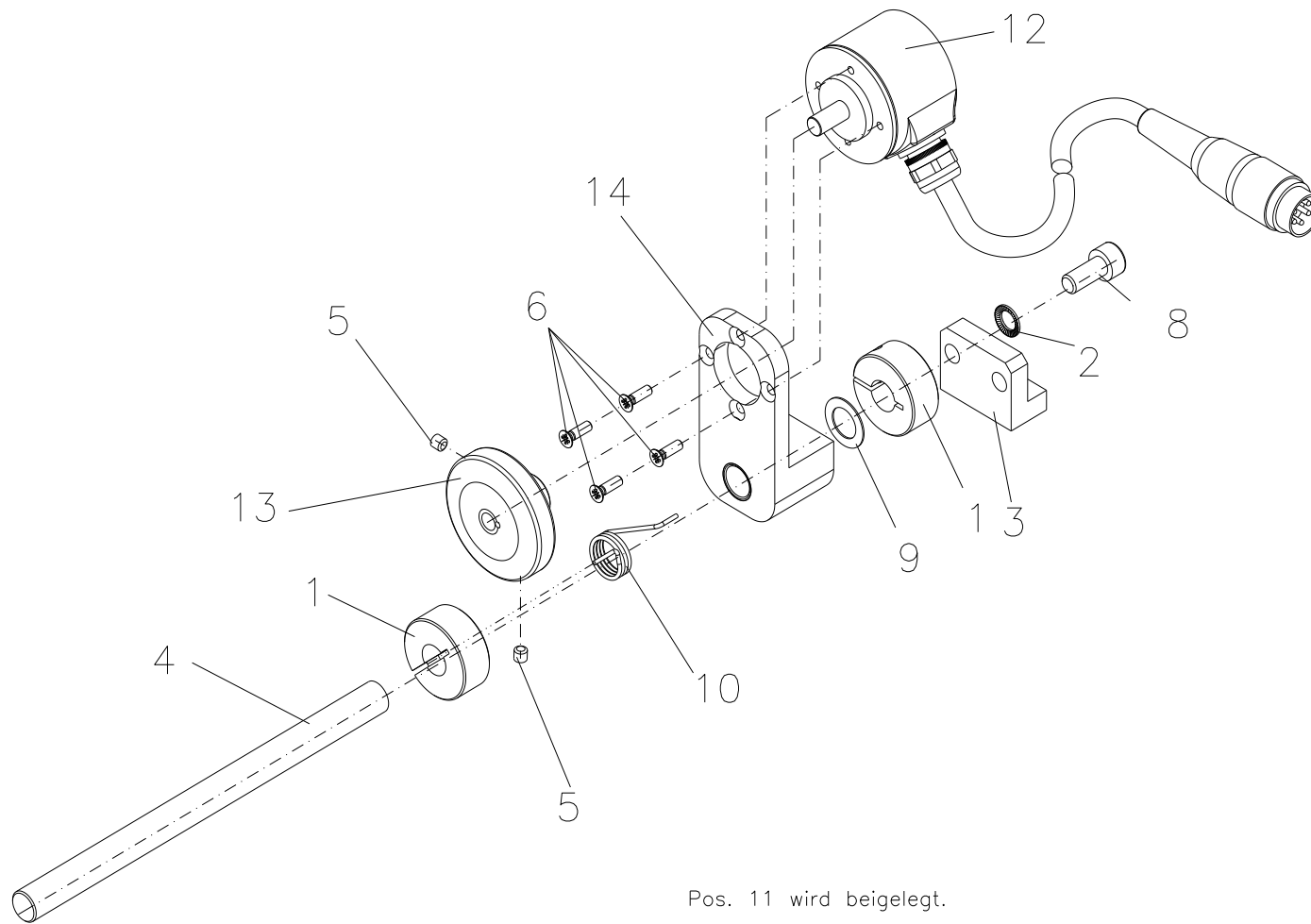
Dynacode/Flexicode

Pos	Ident-No.	Description1	Description2	Quantity
12	46.57.440	Bogie wheel 250 mm mounting frame/repeat	Dynacode/Flexicode	2
	46.57.441	Bogie wheel 340 mm mounting frame/repeat	Dynacode/Flexicode	2
	46.57.442	Bogie wheel 430 mm mounting frame/repeat	Dynacode/Flexicode	2
	46.57.444	Bogie wheel 470 mm mounting frame/repeat	Dynacode/Flexicode	2
	46.57.446	Bogie wheel 620 mm mounting frame/repeat	Dynacode/Flexicode	2
	46.57.448	Bogie wheel 770 mm mounting frame/repeat	Dynacode/Flexicode	2
13	47.05.001V	Hexagon nut M4 stainless		2
14	48.10.505V	Setscrew M5x5 stainless		4
15	48.16.016	Socket cap screw M4x25		2
16	48.16.420V	Socket cap screw M4x20 stainless		10
17	48.16.620V	Socket cap screw M6x20 stainless		28
18	48.16.625V	Socket cap screw M6x25 stainless		4
19	48.16.630V	Socket cap screw M6x30 stainless		4
20	48.17.020	Clamping lever		1
21	48.17.030	Clamping lever		1
22	48.70.001	Handle		1
23	50.01.066V	Lock washer 6.4 stainless		4
24*	57.01.027	Grooved ball bearing		4
25	67.57.405	Intermediate plate 0.5 mm	Dynacode/Flexicode	1
26	67.57.410	Intermediate plate 1.0 mm	Dynacode/Flexicode	1
27	72.67.100	Bearing block cpl for counter-pressure plate	DPM III/DPM IV/Dynacode	4
28	72.67.305	Counter-pressure plate cpl 107x140 mm	DPM/Dynacode	1
29	72.67.505	Connection part cpl for mounting frame	Dynacode/Flexicode	1
30	72.67.590	Clamping piece above for mounting frame	Dynacode/Flexicode	1

*Recommended spare part

90.67.704

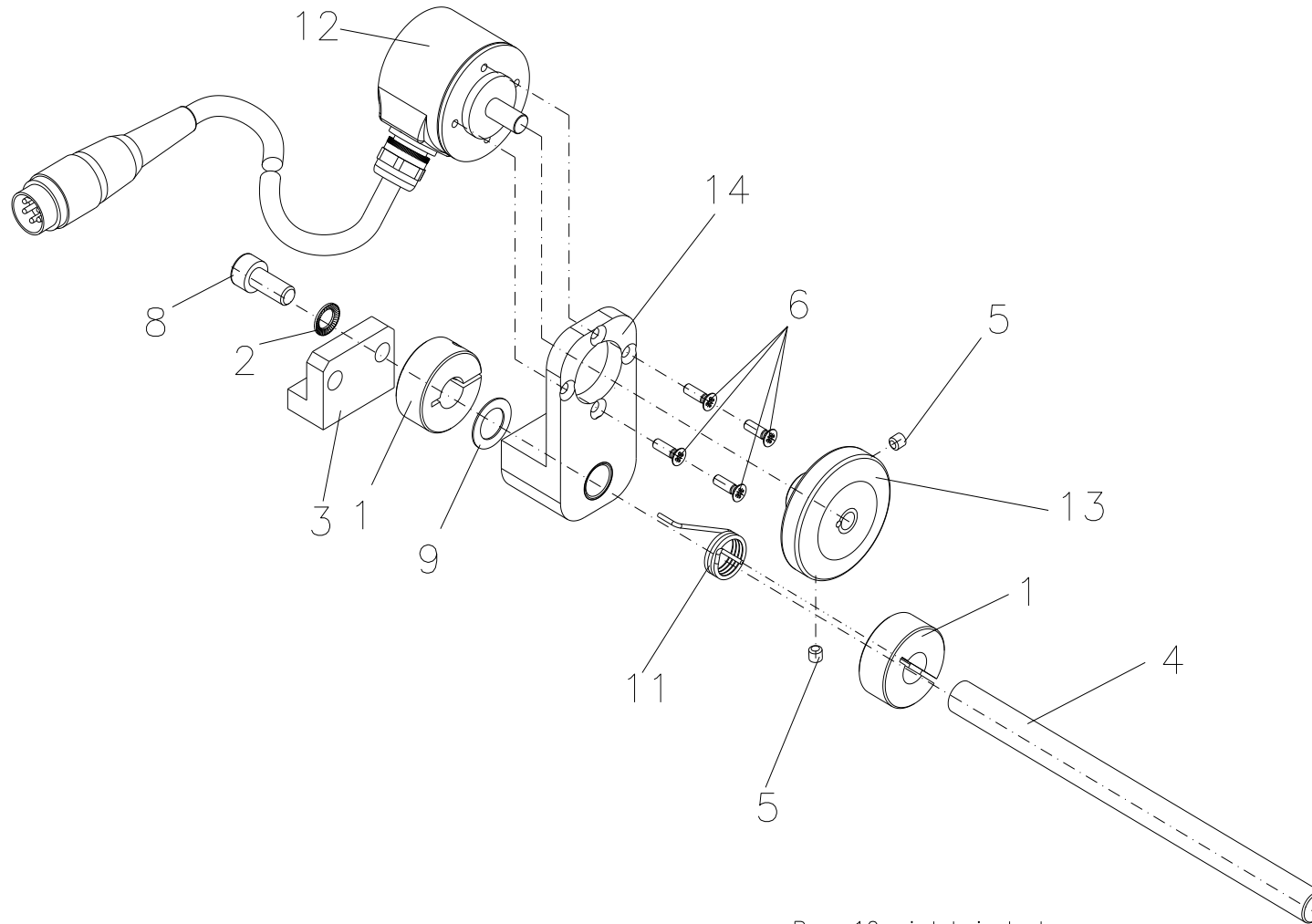
Encoder with friction wheel cpl 4.5 m
DPM III c/Dynacode/Flexicode, option



rechte Ausführung

90.67.704

Encoder with friction wheel cpl 4.5 m
DPM III c/Dynacode/Flexicode, option



linke Ausführung

Pos. 10 wird beigelegt.

90.67.704

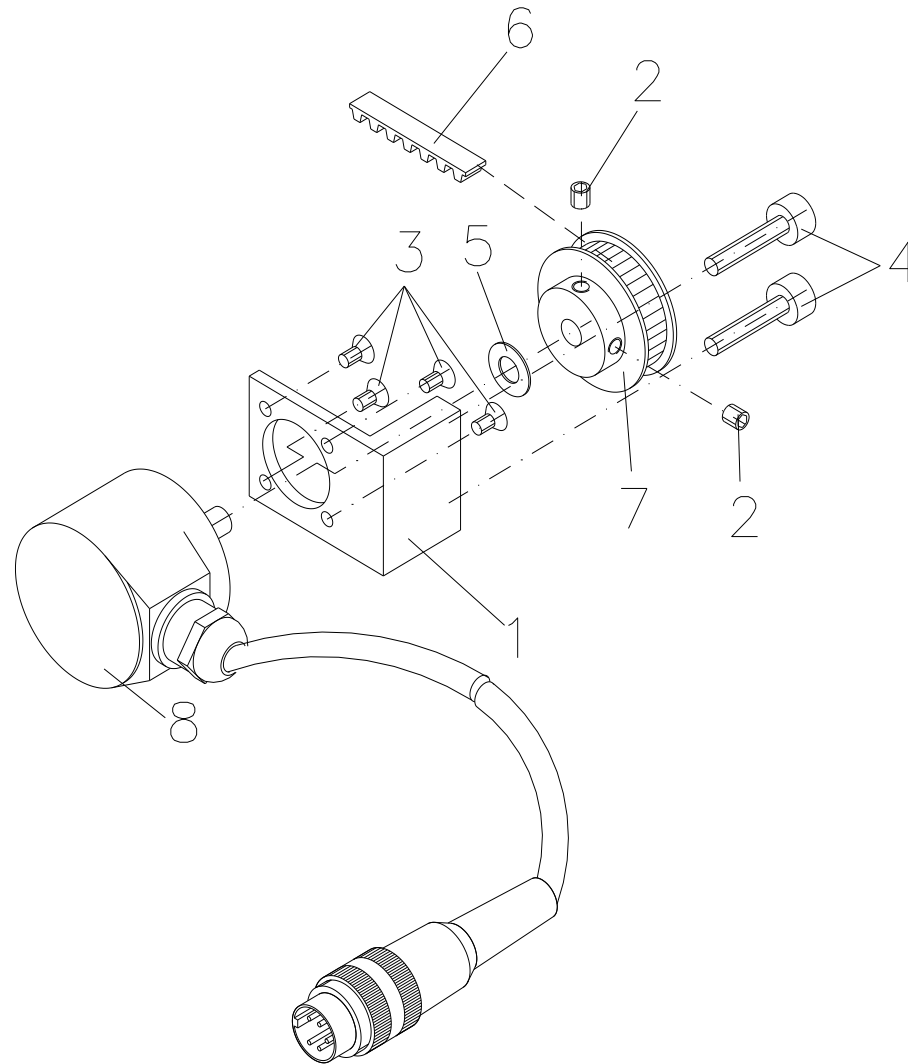
Encoder with friction wheel cpl 4.5 m
DPM III c/Dynacode/Flexicode, option

Pos	Ident-No.	Description1	Description2	Quantity
1	37.67.510	Adjusting ring		2
2	41.03.006V	Lock washer M6 stainless		1
3	45.67.558	Holder for encoder		1
4	46.67.550	Holding shaft for encoder		1
5	48.11.404V	Setscrew M4x4 stainless		2
6	48.15.310V	Countersunk screw M3x10 stainless		4
7	48.16.420V	Socket cap screw M4x20 stainless		2
8	48.16.614V	Socket cap screw M6x14 stainless		1
9	50.01.010	Washer 10x16x0.5		1
10	52.67.505	Spring for encoder		1
11	52.67.515	Spring for encoder		1
12	71.67.041	Encoder incremental cpl 4.5 m	c-type	1
13	72.67.550	Friction gear cpl		1
14	72.67.580	Bearing cpl for encoder, with friction gear		1

*Recommended spare part

90.67.705

Encoder for CV mounting frame 2.5 m
DPM III c/Dynacode/Flexicode, option



90.67.705

Encoder for CV mounting frame 2.5 m

DPM III c/Dynacode/Flexicode, option

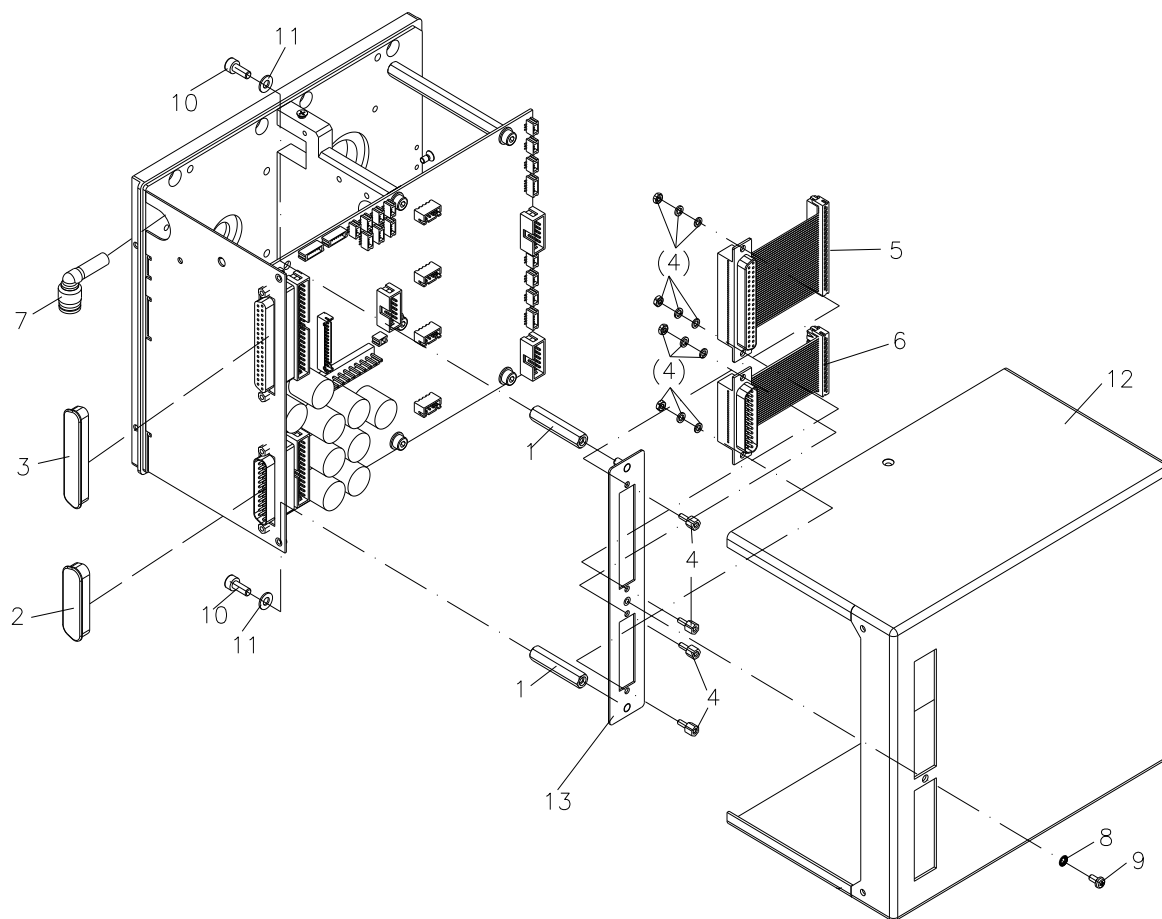
Pos	Ident-No.	Description1	Description2	Quantity
1	45.67.570	Bearing for encoder	Dynacode/Flexicode	1
2	48.11.404V	Setscrew M4x4 stainless		2
3	48.15.003V	Countersunk screw M3x6 stainless		4
4	48.16.004V	Socket cap screw M4x25		2
5	50.50.605	Washer 6x12x0.5		1
6*	59.04.092	Toothed belt		1
7	59.67.040	Toothed belt wheel		1
8	71.67.040	Encoder incremental cpl 2.5 m	c-type	1

*Recommended spare part

90.57.952

Cable outlet at the back

Dynacode, retrofit kit/spare parts price



90.57.952

Cable outlet at the back

Dynacode, retrofit kit/spare parts price

Pos	Ident-No.	Description1	Description2	Quantity
1	12.57.003	Distance bolt M4x34.8	Dynacode, cable outlet behind	2
2	25.04.060	SUB-D dust protection cap 25-pin		1
3	25.04.065	SUB-D dust protection cap 37 pin		1
4	25.04.100	SUB-D fixing set		2
5	28.57.050	Connecting cable, data signals cover/motor plate	Dynacode, cable outlet to the back	1
6	28.57.051	Connecting cable power supply cover/motor plate	Dynacode, cable outlet to the back	1
7	37.67.092	Connection 8 mm		1
8	41.03.003V	Lock washer M3 stainless		1
9	48.14.306V	Pan screw M3x6 stainless		1
10	48.16.410V	Socket cap screw M4x10 stainless		2
11	50.01.065V	Lock washer 4.3 stainless		2
12	67.57.008	Cover, behind for cable outgoing behind	Dynacode	1
13	67.57.020	Connecting plate IP65 for cable outgoing behind	Dynacode	1

*Recommended spare part

Modifications and errors excepted

Dynacode II: 11.2025

81 / 81