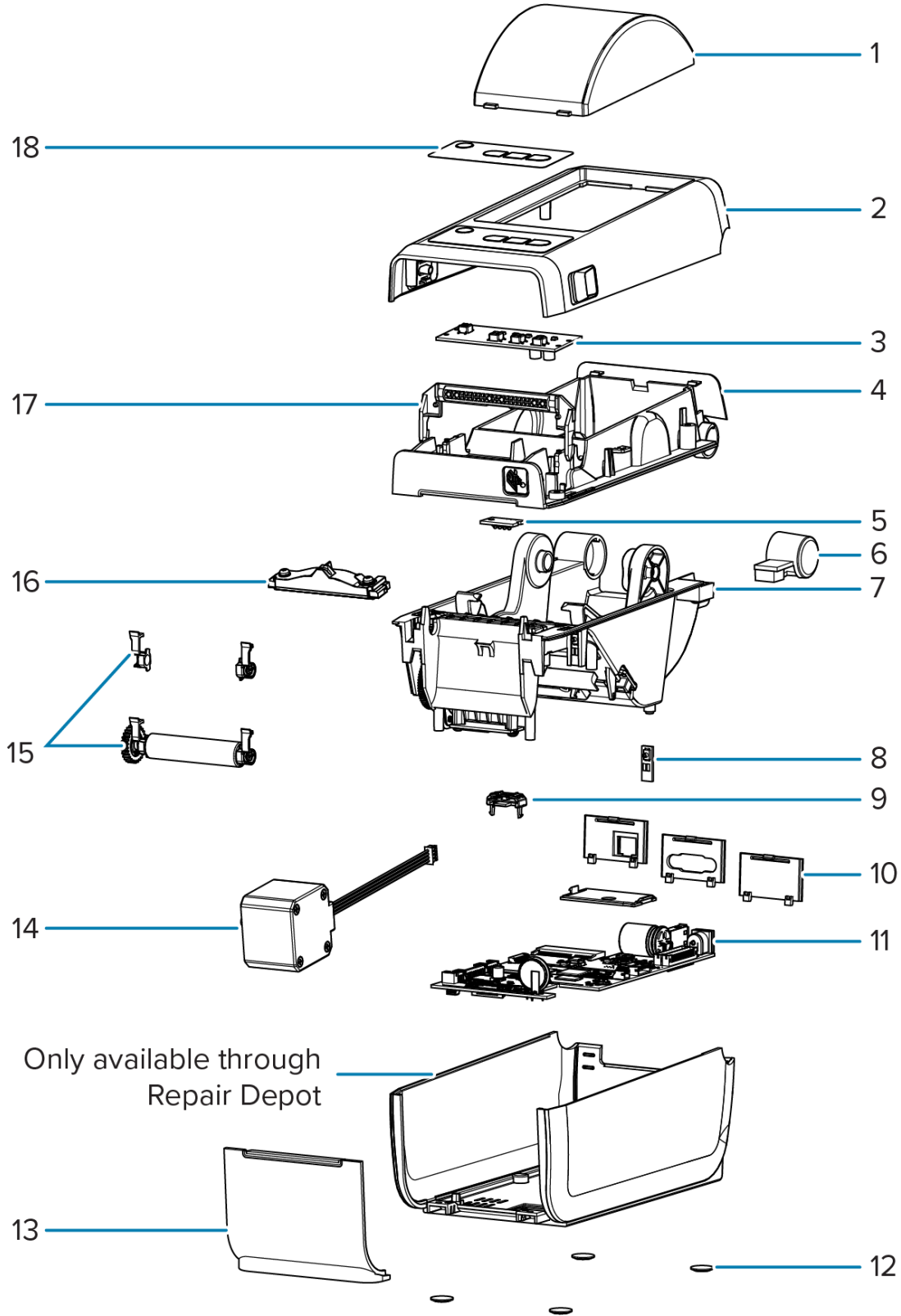


**Spare Parts List
Desktop Printers**

ZD611 Direct Thermal (203 & 300 DPI)



Spare Parts List
Desktop Printers

ZD611 Direct Thermal (203 & 300 DPI)

Item Number	Description	Part Number
1	Media Window	P1079903-002
2	Cover Assembly (includes Media Window) for Standard Models	P1117258-016
	Cover Assembly (includes Media Window) for Healthcare Models	P1117258-017
3	Control Panel PCBA without LCD	P1112640-004
4	Inner Lid (without printhead)	P1117258-004
5	Upper Gap Sensor	P1112640-009
6	Cover Hinge	P1079903-016
7	Print Mechanism, 203 DPI	P1117258-018
	Print Mechanism, 300 DPI	P1117258-019
8	Head Up Sensor	P1112640-058
9	Blackline Sensor	P1117258-008
10	Rear Bezel, Serial, Ethernet, Wi-Fi Door, Standard (includes 1 of ea.)	P1112640-025
11	Main Logic Board, USB, USB Host, BTLE for all countries except EMEA	P1117258-013
	Main Logic Board, USB, USB Host, BTLE (EMEA ONLY)	P1117258-024
12	Rubber Foot (set of 4)	P1080383-021
13	Front Bezel, Standard	P1117258-010
14	Motor Assembly, 203dpi & 300dpi	P1080383-221
15	203dpi Platen Roller for media with a liner	P1117258-020
	300dpi Platen Roller for media with a liner	P1117258-021
	203dpi Platen Roller for media without a liner (linerless media)	P1117258-022
	300dpi Platen Roller for media without a liner (linerless media)	P1117258-023
	Bearings for the Platen Roller Left & Right (set of 10 ea.)	P1079903-014
16	Printhead, 203dpi	P1117258-036
	Printhead, 300dpi	P1117258-037
17	Latch Assembly	P1117258-005
18	Nameplate	P1117258-015

Spare Parts List
Desktop Printers

ZD611 Direct Thermal (203 & 300 DPI)

Item Number	Description	Part Number
Not Shown	Buttons for the Latch, 10 Left buttons and 10 Right buttons	P1117258-014
	Cutter for Media with a Liner	P1117258-031
	Cutter for Linerless Media	P1117258-032
	Dispenser for media with a liner	P1117258-030
	Dispenser for Linerless Media	P1117258-033
	Media Core Adaptors for 1.5", 2" & 3" Diameter Media Cores, (set of 2 each)	P1112640-054
	Wireless Module, WiFi 802.11ac, MFI 3.0, Bluetooth 4.1, for USA & Canada	P1112640-017A
	Wireless Module, WiFi 802.11ac, MFI 3.0, Bluetooth 4.1, for Japan	P1112640-017B
	Wireless Module, WiFi 802.11ac, MFI 3.0, Bluetooth 4.1, for all countries except USA, Canada and Japan	P1112640-017C
	Ethernet Module	P1112640-015
	Serial Module	P1112640-016
	Base Housing for Battery (When upgrading to battery power functionality, also order the P1080383-603 battery)	P1080383-602
	Battery for Desktop Printers (When upgrading to battery power functionality, also order the P1080383-602 battery housing)	P1080383-603
	Adapter bracket to enable mounting a ZD611D in the same location as an existing LP2824 Plus is currently mounted. Allows usage of the LP2824Plus mounting hole pattern.	P1079903-037
	Shipping Pack - Packaging for shipping the printer	P1079903-024
	Power Supply, 50W with US & Euro Cords for Standard Models	P1117258-012
	Power Supply, 75W, 24V with US Cord, for Healthcare Models	P1079903-030
	Power Cord, U.S. 120V IEC320C13 (set of 5)	105950-014
	Power Cord, Euro 220V IEC320C13 (set of 5)	105950-015
	Power Cord, U.K. 240V IEC320C13 (set of 5)	105950-030
	Power Cord, Australia 240V IEC320C13 (set of 5)	105950-029
	Power Cord, China 220V C13 (set of 5)	105950-078
	Power Cord, Japan 125V JAPAN C13 (set of 5)	105950-079
	Power Cord, 220V Argentina C13 (set of 5)	105950-080
	Power Cord, 10A NBR 14136, Brazil (set of 5)	P1033401
	Power Cord India, IS 1293, C13 (set of 5)	P1080829
Power Cord, Taiwan, 125V, IEC320C13 (set of 5)	P1079903-035	