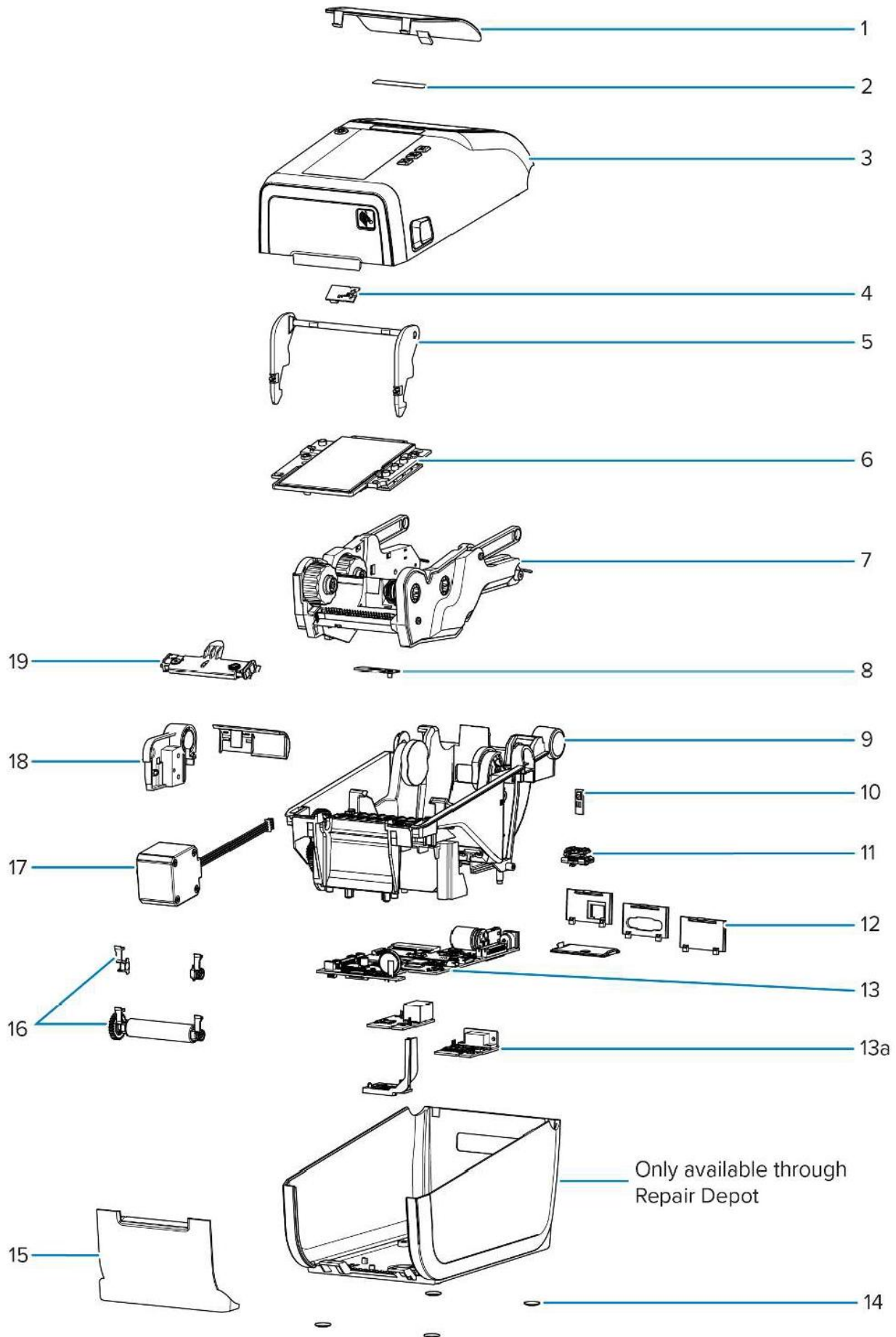


ZD611 Thermal Transfer (203 & 300 DPI)



ZD611 Thermal Transfer (203 & 300 DPI)

| Item Number | Description | Part Number |
|-------------|--|---------------|
| 1 | Media Window | P1117258-201 |
| 2 | Nameplate | P1117258-221 |
| 3 | Cover Assembly for Standard Models (includes Media Window) | P1117258-223 |
| | Cover Assembly for Healthcare Models (includes Media Window) | P1117258-224 |
| 4 | Ribbon Out Sensor | P1117258-205 |
| 5 | Latch Assembly | P1117258-206 |
| 6 | Control Panel PCBA with LCD | P1117258-225 |
| 7 | Ribbon Carriage | P1117258-208 |
| 8 | Upper Media Sensor (Gap Sensor) | P1117258-209 |
| 9 | Print Mechanism 203dpi | P1117258-210 |
| | Print Mechanism 300dpi | P1117258-211 |
| 10 | Cover Open Sensor | P1117258-212 |
| 11 | Lower Media Sensor (Blackline Sensor) | P1117258-213 |
| 12 | Rear Bezels and WiFi Bezel for Standard Models: Serial, Ethernet, No Options, WiFi (1 of each) | P1112640-212 |
| 13 | Main Logic Board, USB, USB Host, BTLE for all countries except EMEA | P1117258-226 |
| | Main Logic Board, USB, USB Host, BTLE (EMEA ONLY) | P1117258-227 |
| 13A | USA and Canada 802.11ac WiFi Module | P1112640-017A |
| | Japan 802.11ac WiFi Module | P1112640-017B |
| | All countries except USA, Canada and Japan 802.11ac WiFi Module | P1112640-017C |
| 14 | Rubber Feet (set of 4) | P1080383-021 |
| 15 | Front Bezel, Standard Models | P1117258-214 |
| 16 | Platen Roller 203dpi | P1117258-215 |
| | Platen Roller 300dpi | P1117258-216 |
| | Bearings for the platen roller, Left & Right (10 each) | P1080383-224 |
| 17 | Motor Assembly 203dpi & 300dpi | P1080383-221 |
| 18 | Covers for Hinge (includes side and rear hinge covers) | P1117258-217 |
| 19 | Printhead, 203dpi | P1117258-232 |
| | Printhead, 300dpi | P1117258-233 |

ZD611 Thermal Transfer (203 & 300 DPI)

| Item Number | Description | Part Number |
|-------------|---|--------------|
| Not Shown | Media Core Adaptors for 1.5", 2" & 3" Diameter Media Cores, (set of 2 each) | P1112640-054 |
| | Buttons for the Latch, 10 Left buttons and 10 Right buttons | P1117258-219 |
| | Cutter | P1117258-231 |
| | Dispenser, Front Bezel | P1117258-230 |
| | Base Housing for the Battery (When upgrading to battery power functionality, also order the P1080383-603 battery) | P1117258-235 |
| | Battery for Desktop Printers (When upgrading to battery power functionality, also order the P1080383-605 battery housing) | P1080383-603 |
| | Adapter bracket that enables mounting a ZD611T model in the same location as an existing TLP2824Plus model is currently mounted. Allows usage of the TLP2824Plus mounting hole pattern to mount a ZD611T. | P1117258-234 |
| | Shipping Pack - Packaging for shipping the printer | P1117258-218 |
| | Power Supply, 50W with US & Euro Cords for Standard Models | P1117258-012 |
| | Power Supply, 75W, 24V with US Cord, for Healthcare Models | P1079903-030 |
| | Power Cord, U.S. 120V IEC320C13 (set of 5) | 105950-014 |
| | Power Cord, Euro 220V IEC320C13 (set of 5) | 105950-015 |
| | Power Cord, U.K. 240V IEC320C13 (set of 5) | 105950-030 |
| | Power Cord, Australia 240V IEC320C13 (set of 5) | 105950-029 |
| | Power Cord, China 220V C13 (set of 5) | 105950-078 |
| | Power Cord, Japan 125V JAPAN C13 (set of 5) | 105950-079 |
| | Power Cord, 220V Argentina C13 (set of 5) | 105950-080 |
| | Power Cord, 10A NBR 14136, Brazil (set of 5) | P1033401 |
| | Power Cord India, IS 1293, C13 (set of 5) | P1080829 |
| | Power Cord, Taiwan, 125V, IEC320C13 (set of 5) | P1079903-035 |